

RECOMMENDED PCB DIMENSIONS

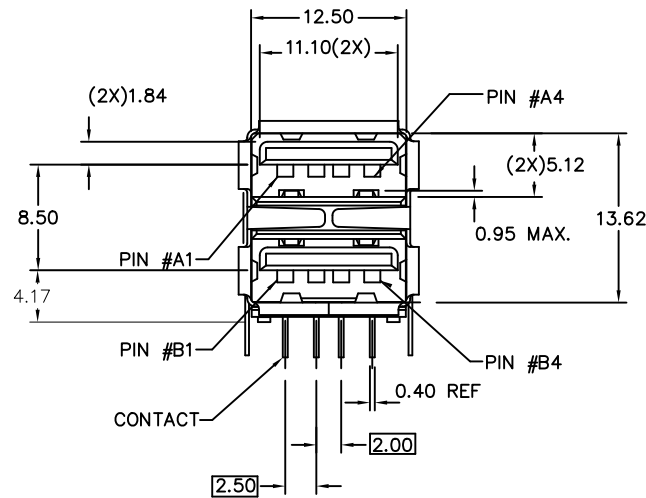
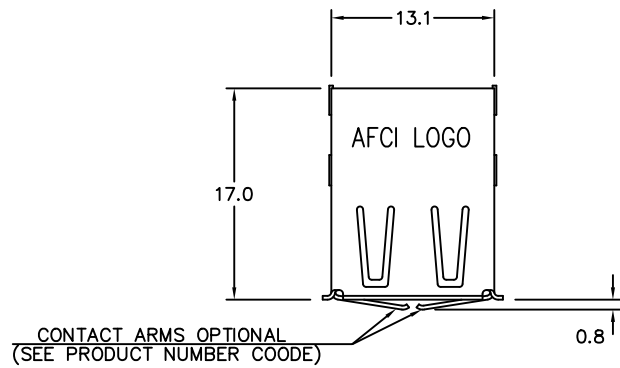
NOTES:

- 1.MATERIAL:
CONTACTS—COPPER ALLOY
SHELL—COPPER ALLOY
HOUSING—UL 94—V—0 RATED THERMOPLASTIC.
- 2.PLATING:
CONTACTS: SEE PRODUCT NUMBER CODE;
SHELL: SEE PRODUCT NUMBER CODE.
- ③DATUM AND BASIC DIMENSIONS ESTABLISHED BY CUSTOMER.
- 4.RECOMMENDED PC BOARD THICKNESS OF 1.57mm.
- 5.P/N SEE PRODUCT NUMBER CODE.
(TO BE CONTINUED)

Amphenol
FCI

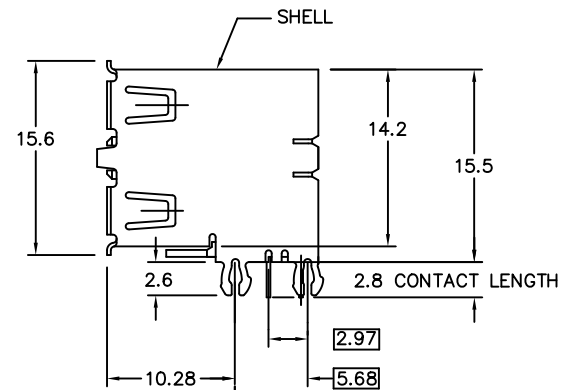
© 2016 AFCI

mat'l. code		surface <input checked="" type="checkbox"/> tolerance <input checked="" type="checkbox"/>		projection <input checked="" type="checkbox"/>		product family	
		ISO 1302 <input checked="" type="checkbox"/> ISO 406 ISO 1101		<input checked="" type="checkbox"/>		USB HPL511	
ltr		ecn no		dr		date	
AK		ELX-N-26385		LZ		2017/03/17	
AD		N05-0106		PH		04/13/05	
AE		N06-0101		HB		04/13/06	
AF		N06-0133		HB		05/17/06	
AG		N08-0198		RB		2008/09/10	
AH		N08-0238		RB		2008/11/01	
AJ		ELX-N-004654		A.ZH		2011/07/28	
sheet		revision		AK			
index		sheet		1~4			



ASSEMBLY WITHOUT BACK SHIELD
72309-XX3XX SHOWN

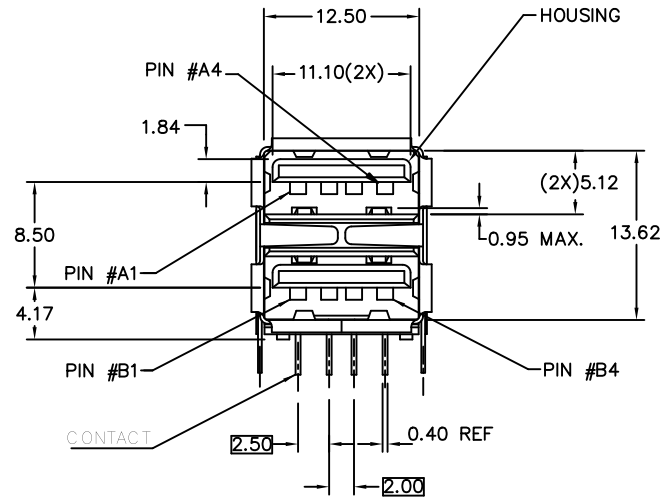
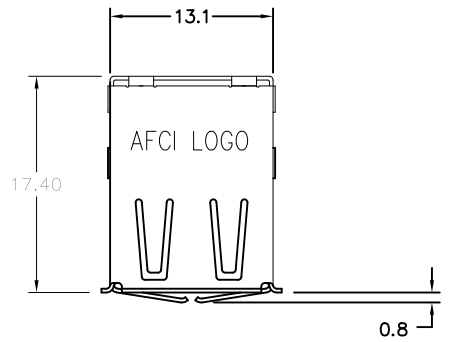
- (CONTINUED)
6. FOR LEAD FREE P/N, A LEAD FREE LABEL WILL APPEAR AT PACKING.
 7. FOR LEAD FREE P/N, THE HOUSING WILL WITHSTAND EXPOSURE TO 260°C PEAK TEMPERATURE FOR 40 SECONDS IN A CONVECTION, INFRA-RED OR VAPOR PHASE REFLOW OVEN.
 8. FOR LEAD FREE P/N, THE PRODUCT MEET EUROPEAN UNION DIRECTIVES AND OTHER COUNTRY REGULATION AS DESCRIBED IN GS-22-008
 9. PACKAGING SPECIFICATION PER GS-14-393.
 10. PRODUCT SPECIFICATION PER GS-12-095.



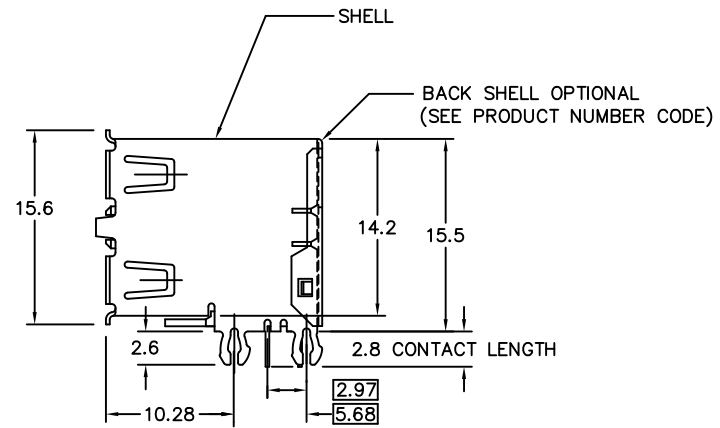
mat'l. code		surface <input checked="" type="checkbox"/> ISO 1302		tolerance <input checked="" type="checkbox"/> ISO 406		projection <input checked="" type="checkbox"/> ISO 1101		product family	
ltr		ecn no		dr		date		title	
AK								USB HPL511	
								UNIV. SERIAL BUS DOUBLE DECK RECEPTACLE	
								dwg no	
								72309	
								sheet 2 of 4	
								size	
								A3	
								type	
								Product Customer Drawing	
sheet index		revision sheet		AK		1~4			

Amphenol FCI

© 2016 AFCI



ASSEMBLY WITH BACK SHIELD
72309 - XX4XX SHOWN



Amphenol FCI

© 2016 AF CI

mat'l. code		surface <input checked="" type="checkbox"/> ISO 1302		tolerance <input checked="" type="checkbox"/> ISO 406		projection <input checked="" type="checkbox"/> ISO 1101		product family	
ltr		ecn no		dr		date		title	
AK								UNIV. SERIAL BUS DOUBLE DECK RECEPTACLE	
								dwg no	
								72309	
								sheet 3 of 4	
								size	
								A3	
								type	
								Product Customer Drawing	
sheet index		revision sheet		AK		1~4			

PRODUCT NUMBER CODE

72309 - X X X X X P S LF

BASE PRODUCT NUMBER

HOUSING COLOR + SHELL PLATING OPTIONS

- 0 - WHITE + NICKEL & TIN LEAD PLATING
- 1 - BLACK + NICKEL & TIN LEAD PLATING
- 2 - WHITE + NICKEL PLATING ONLY
- 3 - BLACK + NICKEL PLATING ONLY
- 4 - WHITE + NICKEL PLATING ONLY + LCP HSG
- 5 - BLACK + NICKEL PLATING ONLY + LCP HSG
- 6 - BLACK + NICKEL & TIN LEAD PLATING + LCP HSG
- 7 - BLACK + NICKEL & BRIGHT TIN PLATING
- 8 - WHITE + NICKEL & BRIGHT TIN PLATING
- 9 - BLACK + NICKEL & BRIGHT TIN PLATING +LCP HSG
- A - BLACK + NICKEL & MATTE TIN PLATING +LCP HSG
- S - BLACK + NICKEL PLATING ONLY + LCP HSG

SHELL PLATING OPTION

- 0 - BARREL-PLATING
- 1 - PRE-PLATING

SHELL OPTIONS

- 1 - NO BACK SHIELD, NO ARMS, FRONT GROUNDING ARMS
- 2 - BACK SHIELD, NO FRONT GROUNDING ARMS
- 3 - NO BACK SHIELD, FRONT GROUNDING ARMS
- 4 - BACK SHIELD, FRONT GROUNDING ARMS

TERMINAL OPTION

- 3 - 50u" Ni UNDERPLATE,30u" GXT CONTACT AREA,100u" MATTE TIN TAIL AREA
2.80mm TAIL LENGTH
- 4 - 50u" Ni UNDERPLATE,30u" GXT CONTACT AREA,100u" MATTE TIN TAIL AREA
2.80mm TAIL LENGTH
- 5 - 50u" Ni UNDERPLATE,30u" GOLD CONTACT AREA,100u" MATTE TIN TAIL AREA
3.94mm TAIL LENGTH

PACKAGING OPTIONS

- B - TUBES
- R - TAPE & REEL
- Q - SPECIAL TUBES (LENGTH 600MM MAX)

WITH DATE CODE

ONLY FOR PANASONIC

LEAD FREE MARK

LEAD FREE CONVERSION RULES -
HOUSING COLOR AND SHELL PLATING OPTION: 0 TO 8, 1 TO 7, 6 TO 9
TERMINAL PLATING OPTION: 0 TO 4, 2 TO 3
SPECIFIC SHELL MATERIAL FOR 12K CYCLES DURABILITY,
PART NUMBER: 72309-S033XPLF/-S034XPLF

NOTE:

AVAILABLE P/N'S IN FCI NOW FOLLOWED:

- 72309-0010X/8014XLF 72309-2010X/2014XLF
- 72309-0012X/8013XLF 72309-2012X/2013XLF
- 72309-0020X/8024XLF 72309-2020X/2024XLF
- 72309-0022X/8023XLF 72309-2022X/2023XLF
- 72309-0030X/8034XLF 72309-2030X/2034XLF
- 72309-0032X/8033XLF 72309-2032X/2033XLF
- 72309-0040X/8044XLF 72309-2040X/2044XLF
- 72309-0042X/8043XLF 72309-2042X/2043XLF
- 72309-1010X/7014XLF 72309-3010X/3014XLF
- 72309-1012X/7013XLF 72309-3012X/3013XLF
- 72309-1020X/7024XLF 72309-3020X/3024XLF
- 72309-1022X/7023XLF 72309-3022X/3023XLF
- 72309-1030X/7034XLF 72309-3030X/3034XLF
- 72309-1032X/7033XLF 72309-3032X/3033XLF
- 72309-1040X/7044XLF 72309-3040X/3044XLF
- 72309-1042X/7043XLF 72309-3042X/3043XLF
- 72309-0110X/8114XLF 72309-4040X/4044XLF
- 72309-0112X/8113XLF 72309-5012X/5013XLF
- 72309-0120X/8124XLF 72309-5030X/5034XLF
- 72309-0122X/8123XLF 72309-5040X/5044XLF/5044XSFL
- 72309-0130X/8134XLF 72309-5140X/5144XLF
- 72309-0132X/8133XLF 72309-6220X/9224XLF
- 72309-0140X/8144XLF 72309-A034XLF
- 72309-0142X/8143XLF 72309-3015XLF
- 72309-1110X/7114XLF 72309-3045XLF
- 72309-1112X/7113XLF 72309-S033XPLF
- 72309-1120X/7124XLF 72309-S034XPLF
- 72309-1122X/7123XLF
- 72309-1130X/7134XLF
- 72309-1132X/7133XLF
- 72309-1140X/7144XLF
- 72309-1142X/7143XLF

Amphenol FCI

© 2016 AFCI

mat'l. code		surface <input checked="" type="checkbox"/> ISO 1302 <input checked="" type="checkbox"/> ISO 406 <input type="checkbox"/> ISO 1101		projection	product family
ISO 1302 <input checked="" type="checkbox"/> ISO 406 <input type="checkbox"/> ISO 1101		tolerance unless otherwise specified		mm	USB HPL511
ltr	ecn no	dr	date	scale 1:1	title
AK					UNIV. SERIAL BUS DOUBLE DECK RECEPTACLE
angles linear		.0±.3			dwg no
0°±3'		.00±.20			72309
		.000±.10			sheet 4 of 4 size
					A3
					type
					Product Customer Drawing
sheet index	revision sheet	AK	1~4		

Mouser Electronics

Authorized Distributor

Click to View Pricing, Inventory, Delivery & Lifecycle Information:

[FCI / Amphenol:](#)

[72309-2034BLF](#) [72309-3024BLF](#) [72309-7014BLF](#) [72309-7024BLF](#) [72309-7043BLF](#) [72309-8023BLF](#) [72309-5013RLF](#) [72309-7034BLF](#) [72309-7044RLF](#) [72309-8034RLF](#) [72309-8034BLF](#) [72309-8044BLF](#) [72309-8014BLF](#) [72309-3015RPLF](#) [72309-7024RLF](#) [72309-2023BLF](#) [72309-2023RLF](#) [72309-3023BPLF](#) [72309-3024BPLF](#) [72309-3043BLF](#) [72309-5034BLF](#) [72309-5044BLF](#) [72309-7013BLF](#) [72309-7014BPLF](#) [72309-7033RPLF](#) [72309-7043RPLF](#) [72309-7044BLF](#) [72309-7044BPLF](#) [72309-8023RLF](#) [72309-8024BLF](#) [72309-8033BLF](#) [72309-8043BLF](#) [72309-8024RLF](#) [72309-7044RPSLF](#) [72309-2044BLF](#) [72309-3045RPLF](#) [72309-9043BLF](#) [72309-3013RPLF](#) [72309-3013BPLF](#) [72309-3023BLF](#) [72309-7013RPLF](#) [72309-2013BLF](#) [72309-A034RLF](#) [72309-7044BPSLF](#) [72309-5043BLF](#) [72309-7013BPLF](#) [72309-7043RLF](#) [72309-2014BLF](#) [72309-8014RLF](#) [72309-7014RLF](#) [72309-3034RPLF](#) [72309-2034RLF](#) [72309-9013RPLF](#) [72309-8035BLF](#) [72309-8044RLF](#) [72309-5023BPLF](#) [72309-3045BPLF](#) [72309-S033BLF](#)