

Customer Information Sheet

DRAWING No.: M80-513XXXX

SHEET 2 OF 2

IF IN DOUBT - ASK

(C)

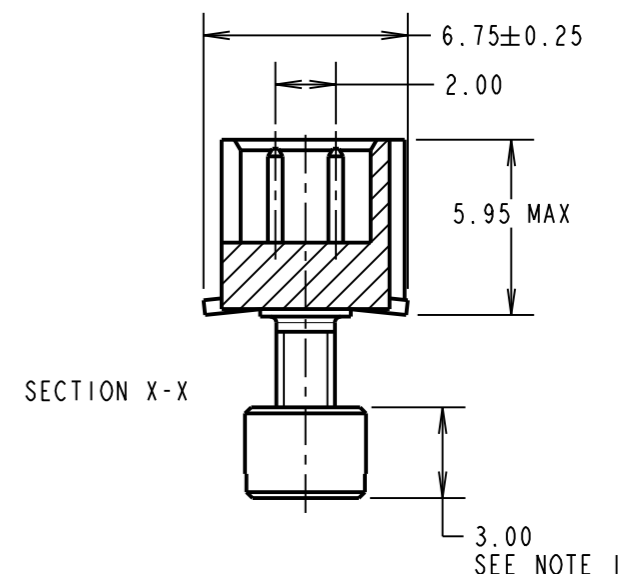
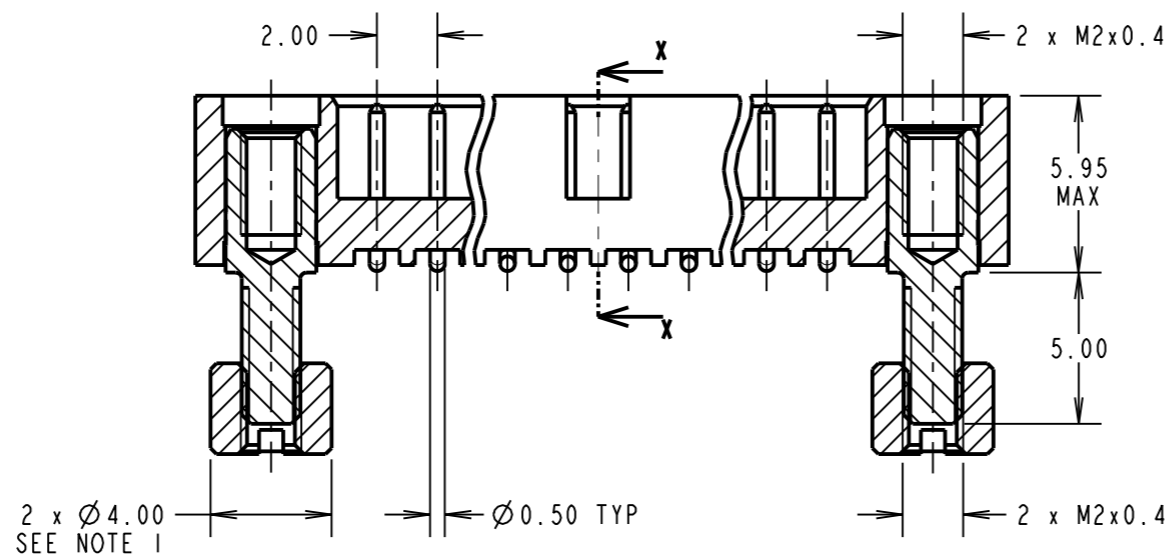
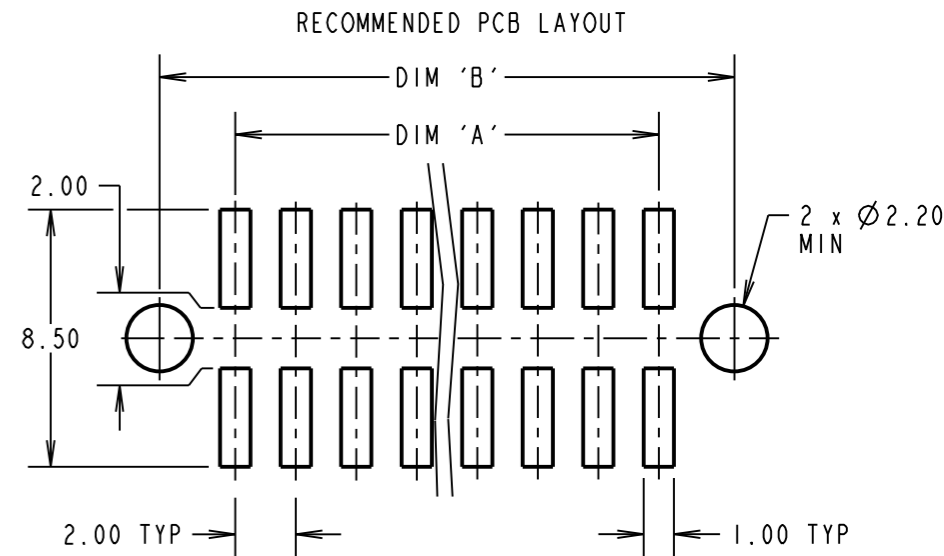
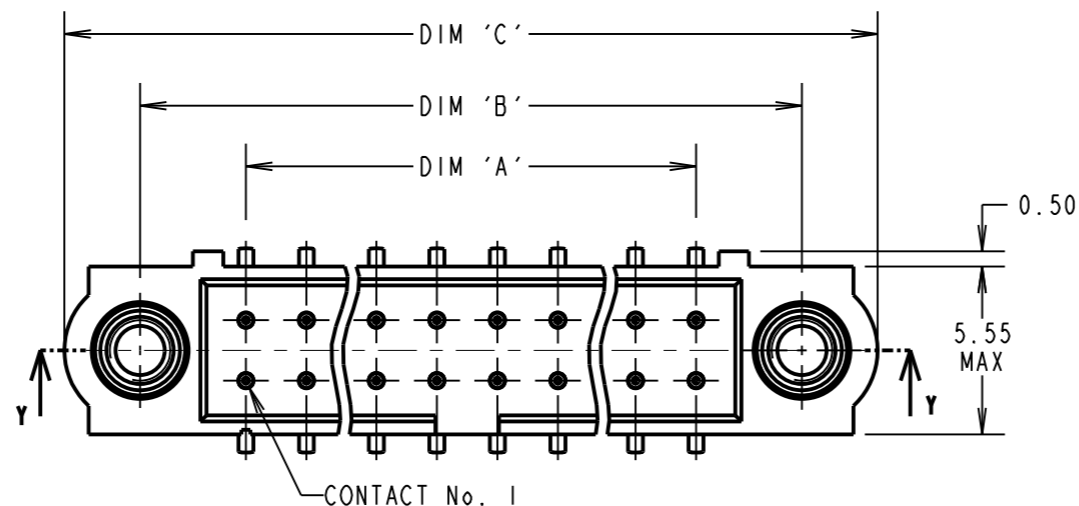
NOT TO SCALE

THIRD ANGLE PROJECTION

ALL DIMENSIONS IN mm

SPECIFICATIONS:

MATERIAL:
 MOULDING = GLASS-FILLED PPS,
 UL94V-0, BLACK
 CONTACT = PHOSPHOR BRONZE
 JACKSCREW = STAINLESS STEEL
FINISH (CONTACTS):
 22 = 0.75µ GOLD ON CONTACT AREA,
 3µ 90/10 TIN/LEAD ON TAILS
 42 = 0.75µ GOLD ON CONTACT AREA,
 3µ 100% TIN OVER NICKEL ON TAILS
 05 = 0.75µ GOLD ALL OVER
ELECTRICAL:
 CURRENT RATING AT 25°C = 3.0A MAX
 CURRENT RATING AT 85°C = 2.2A MAX
 WORKING VOLTAGE = 800V AC/DC
 VOLTAGE PROOF = 1200V AC/DC
 CONTACT RESISTANCE = 25 mΩ MAX
 INSULATION RESISTANCE = 100 MΩ MIN
MECHANICAL:
 DURABILITY = 500 OPERATIONS
ENVIRONMENTAL:
 TEMPERATURE RANGE = -55°C TO +125°C
PACKING:
 TUBE WITH FIXINGS IN ATTACHED BAG.
 FOR COMPLETE SPECIFICATION, SEE
 COMPONENT SPEC. C005XX (LATEST ISSUE)



PART SECTION Y-Y

DIMENSION	CALCULATION
DIM 'A'	TOTAL No. OF CONTACTS - 2
DIM 'B'	TOTAL No. OF CONTACTS + 5
DIM 'C'	TOTAL No. OF CONTACTS + 10
EXAMPLE: CONNECTOR WITH 20 CONTACTS, GOLD ON CONTACT AREA AND 100% TIN ON TAIL, M80-5132042.	
DIM 'A' = 18.00mm, DIM 'B' = 25.00mm, DIM 'C' = 30.00mm	

NOTES:
 1. CONNECTOR IS SUPPLIED WITH BOARD MOUNT NUTS NOT ASSEMBLED AS SHOWN. SUPPLIED LOOSE IN BAG ATTACHED TO PACKING TUBE.

ORDER CODE:
M80-513XXXX

TOTAL No. OF CONTACTS (EVEN NUMBERS ONLY)
 22 - GOLD ON CONTACT AREA / TIN/LEAD ON TAIL
 42 - GOLD ON CONTACT AREA / 100% TIN ON TAIL
 05 - ALL OVER GOLD

MSP	8	04.04.16	13302
NAME	ISS.	DATE	C/NOTE
APPROVED: M.PERREN			
CHECKED: M.PLESTED			
DRAWN: W. J. BOURNE			
CUSTOMER REF.:			
ASSEMBLY DRG:			

 www.harwin.com technical@harwin.com	THIS DRAWING AND ANY INFORMATION OR DESCRIPTIVE MATTER SET OUT HEREON ARE CONFIDENTIAL AND COPYRIGHT PROPERTY OF THE HARWIN GROUP AND MUST NOT BE DISCLOSED, LOANED, COPIED OR USED FOR MANUFACTURING, TENDERING OR FOR ANY OTHER PURPOSE WITHOUT THEIR WRITTEN PERMISSION.	TOLERANCES	MATERIAL:	TITLE:
		X. = ±1mm X.X = ±0.50mm X.XX = ±0.10mm X.XXX = ±0.01mm ANGLES = ±5° UNLESS STATED	SEE ABOVE	DATAMATE J-TEK MALE VERTICAL SMT ASSY WITH 5mm BOARD MOUNT
		FINISH:	SEE ABOVE	DRAWING NUMBER:
		S/AREA:	mm ²	M80-513XXXX

Mouser Electronics

Authorized Distributor

Click to View Pricing, Inventory, Delivery & Lifecycle Information:

Harwin:

[M80-5130622](#) [M80-5130642](#) [M80-5131022](#) [M80-5131042](#) [M80-5131222](#) [M80-5131242](#) [M80-5131422](#) [M80-5131442](#) [M80-5131822](#) [M80-5131842](#) [M80-5132022](#) [M80-5132042](#) [M80-5132622](#) [M80-5132642](#) [M80-5133422](#) [M80-5133442](#) [M80-5134222](#) [M80-5134242](#) [M80-5135022](#) [M80-5135042](#) [M80-5130822](#) [M80-5131605](#) [M80-5131205](#) [M80-5130605](#) [M80-5131642](#) [M80-5133842](#) [M80-5131005](#) [M80-5131622](#) [M80-5133022](#) [M80-5130805](#)