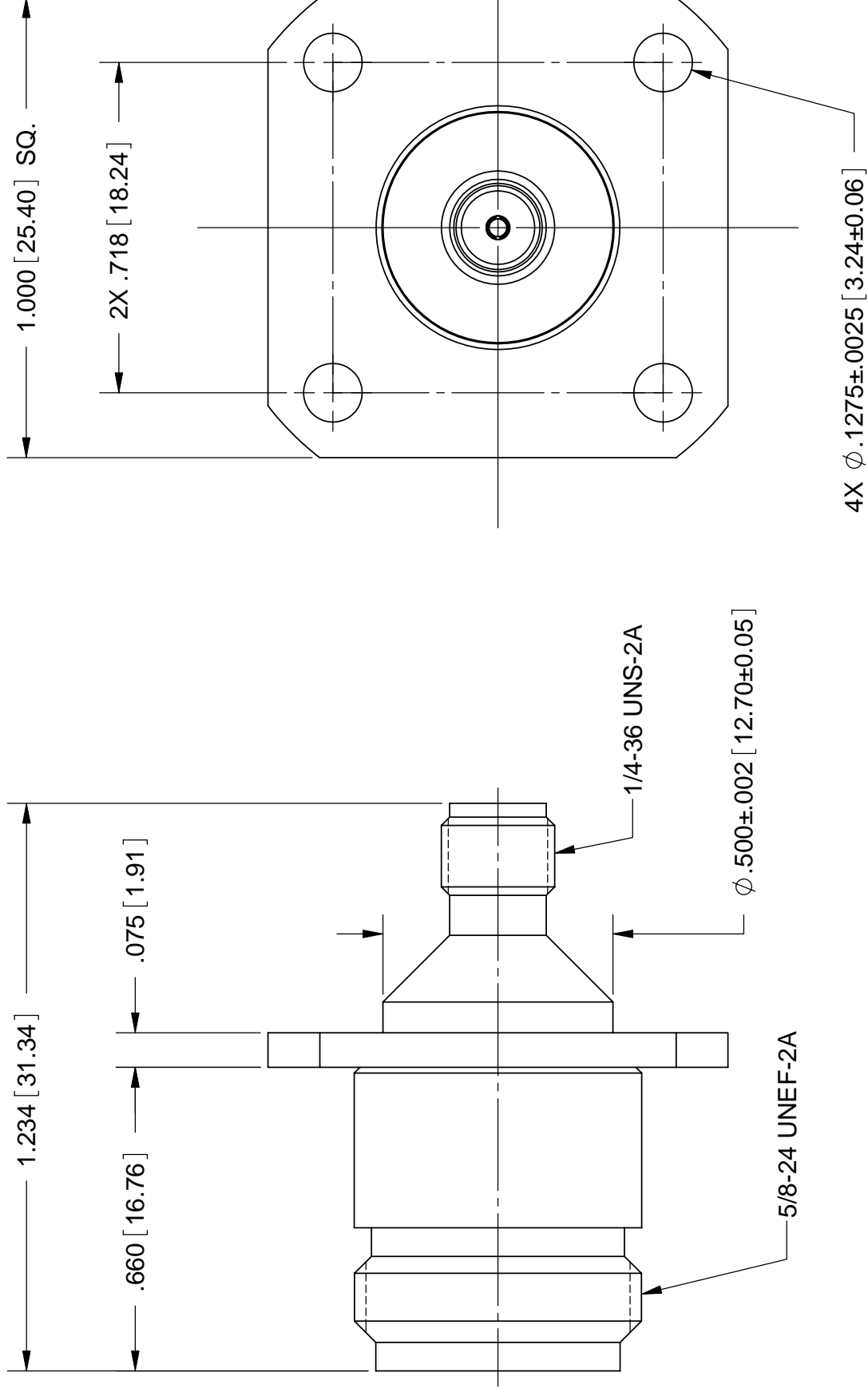
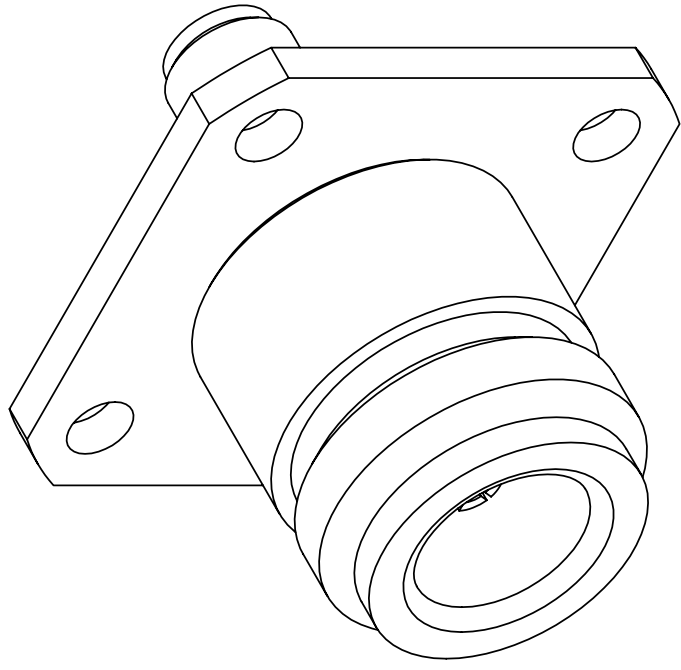


PRODUCT DATA DRAWING

REVISION HISTORY		
REV	DESCRIPTION	DATE
D	DCN 35439	10/07
		APPROVED
		STW



MATERIAL:

- BODY & FLANGE:** STAINLESS STEEL PER AMS-5640, ALLOY UNS S30300, TYPE 1
- CONTACT:** BERYLLIUM COPPER PER ASTM B196, ALLOY No. UNS C17300, TD04
- INSULATOR:** PTFE PER ASTM D1710, TYPE I, GRADE 1, CLASS B
- FINISH:** PASSIVATED PER AMS-2700, TYPE 2
- BODY & FLANGE:** GOLD PER ASTM B488, TYPE II, CODE C, CLASS .76; OVER NICKEL PER AMS-QQ-N-290, CLASS 1, .00005" MIN.
- CONTACT:**

PERFORMANCE:

- IMPEDANCE:** 50 OHMS
- FREQ. RANGE:** DC TO 18.0 GHZ
- VSWR:** 1.05 + .007(f) DC TO 12.4 GHZ
1.35:1 12.4 TO 18 GHZ
- INSERTION LOSS:** .05 X SQRT(F IN GHZ)
- DWV:** 1000 VRMS
- OPERATING TEMP.:** -65°C TO +165°C

MATERIAL:	SEE NOTES
FINISH:	SEE NOTES
SURFACE AREA:	N/A
PROPRIETARY	
THE INFORMATION CONTAINED IN THIS DRAWING IS THE SOLE PROPERTY OF SV MICROWAVE, INC. ANY REPRODUCTION IN PART OR AS A WHOLE WITHOUT THE WRITTEN PERMISSION OF SV MICROWAVE, INC IS PROHIBITED.	

DIMENSIONS ARE IN INCHES TOLERANCES:	
FRACTIONAL: ±1/64	ANGULAR: X° ±1'0"
DECIMAL: .XX ±.010	X"X' ±15'
.XXX ±.005	
INTERPRET DIMENSIONS AND TOLERANCES PER ASME Y14.5M - 1994	
THIRD ANGLE PROJECTION	

UNLESS OTHERWISE SPECIFIED	
1) ALL DIMENSIONS ARE IN INCHES (MILLIMETERS)	
2) BREAK CORNERS & EDGES .005" R. MAX.	
3) CHAM. 1ST & LAST THREADS.	
4) SURFACE ROUGHNESS 63-MIL-STD-10.	
5) DIA'S ON COMMON CENTERS TO BE CONCENTRIC TO 10 THRU 12.	
6) REMOVE ALL BURRS	
DRAWN:	ADK 10/08/07
CHECKED:	DWC 09/92
APPROVED:	RDF 09/92

SV Microwave, Inc.	
2400 Centrepark West Drive, Suite 100 West Palm Beach, FL 33409	
TITLE: SMA JACK TO PN JACK ADAPTER	
SIZE	CAGE CODE
B	95077
DWG. NO.	SCALE: 3:1
SF1132-6001	
SHEET 1 OF 1	