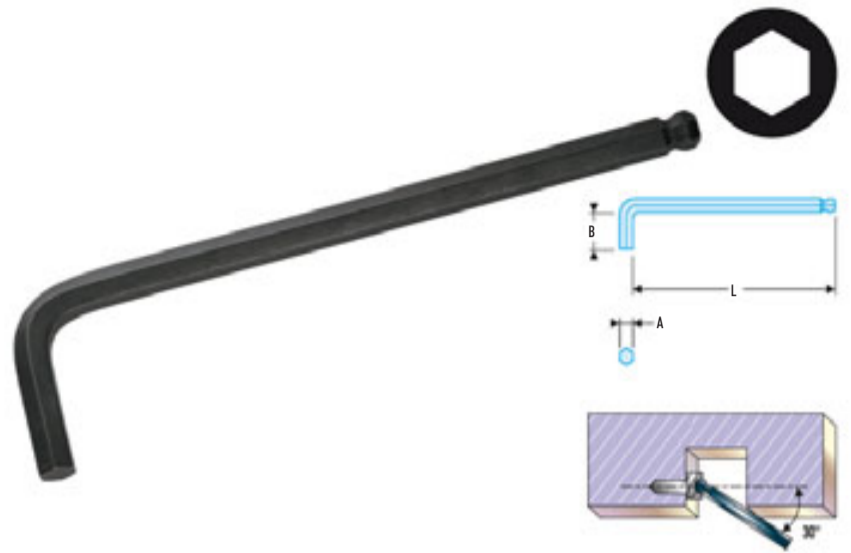


## 83SH - Inch long hexagonal keys with spherical head

- Same specification as metric keys 83SH.

➤	A "	B x L mm	ΔΔ g
<b>83SH.3/32</b>	3/32	17 x 85	4
<b>83SH.1/8</b>	1/8	20 x 90	7
<b>83SH.5/32</b>	5/32	25 x 100	13
<b>83SH.3/16</b>	3/16	28 x 115	22
<b>83SH.7/32</b>	7/32	32 x 135	34
<b>83SH.1/4</b>	1/4	32 x 140	46
<b>83SH.5/16</b>	5/16	36 x 150	80
<b>83SH.3/8</b>	3/8	38 x 170	128

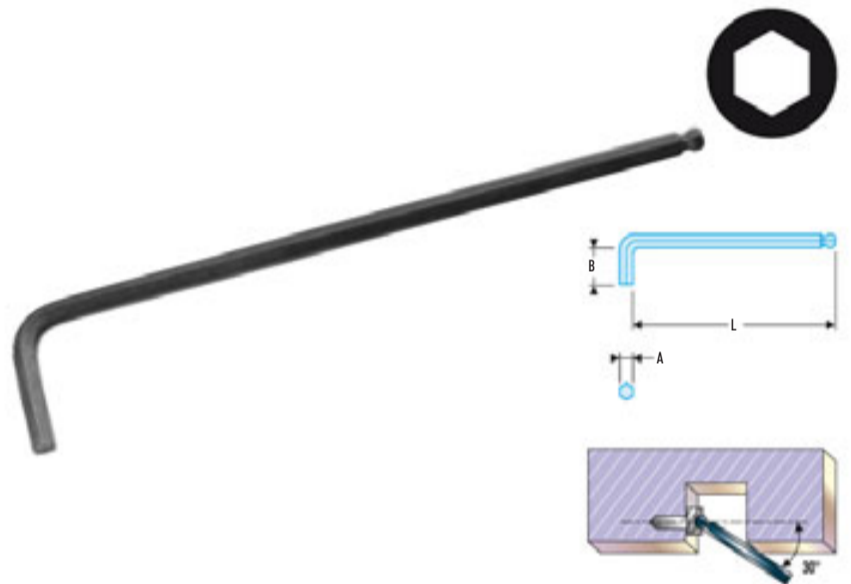


## 83S.L Metric extra-long hexagonal keys with spherical head

▷ DIN ISO 2936.

- Longer lengths offer greater leverage, higher torque and improved in-line access.
- Phosphate finish.

➤	A mm	B x L mm	ΔΔ g
<b>83S.1,5L</b>	1,5	14 x 89	1,7
<b>83S.2L</b>	2	16 x 100	4
<b>83S.2,5L</b>	2,5	18 x 111	6
<b>83S.3L</b>	3	20 x 124	10
<b>83S.4L</b>	4	25 x 138	20
<b>83S.5L</b>	5	28 x 159	36
<b>83S.6L</b>	6	32 x 179	58
<b>83S.7L</b>	7	34 x 188	83
<b>83S.8L</b>	8	36 x 198	115
<b>83S.10L</b>	10	40 x 221	200
<b>83S.12L</b>	12	45 x 247	322



## 83H Metric long hexagonal keys

▷ ISO 2936, DIN ISO 2936, NF ISO 2936.

- Silicon steel.
- Phosphate finish.

➤	A mm	B x L mm	ΔΔ g
<b>83H.1,5</b>	1,5	14 x 62	1
<b>83H.2</b>	2	16 x 75	2
<b>83H.2,5</b>	2,5	18 x 85	4
<b>83H.3</b>	3	20 x 90	7
<b>83H.3,5</b>	3,5	25 x 95	10
<b>83H.4</b>	4	25 x 100	15
<b>83H.4,5</b>	4,5	26 x 110	18
<b>83H.5</b>	5	28 x 115	24
<b>83H.6</b>	6	32 x 135	42
<b>83H.7</b>	7	34 x 140	57
<b>83H.8</b>	8	36 x 150	80
<b>83H.9</b>	9	38 x 160	110
<b>83H.10</b>	10	40 x 170	140
<b>83H.11</b>	11	42 x 180	180
<b>83H.12</b>	12	45 x 190	225
<b>83H.13</b>	13	50 x 200	286
<b>83H.14</b>	14	56 x 215	361
<b>83H.15</b>	15	58 x 225	435
<b>83H.16</b>	16	60 x 235	515
<b>83H.17</b>	17	63 x 245	602
<b>83H.18</b>	18	66 x 255	713
<b>83H.19</b>	19	70 x 265	830
<b>83H.22</b>	22	80 x 275	1010
<b>83H.23</b>	23	85 x 285	1160
<b>83H.24</b>	24	90 x 299	1310
<b>83H.27</b>	27	100 x 315	1380
<b>83H.32</b>	32	125 x 364	1470

