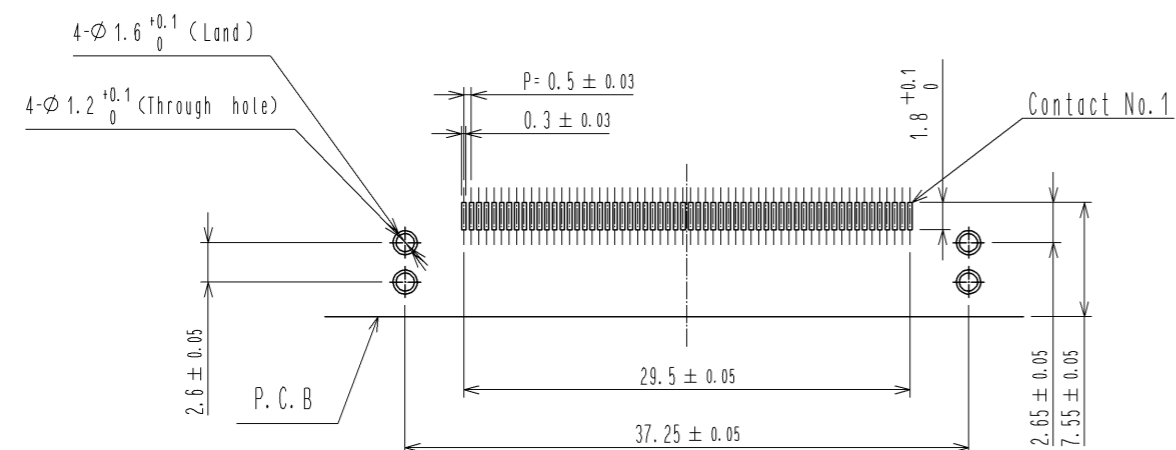


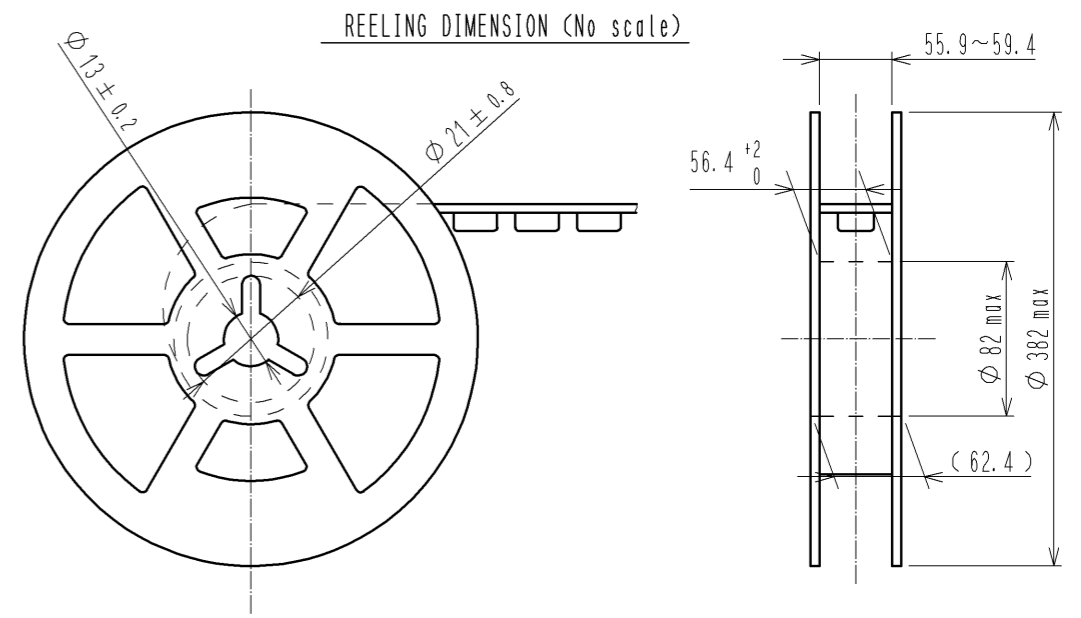
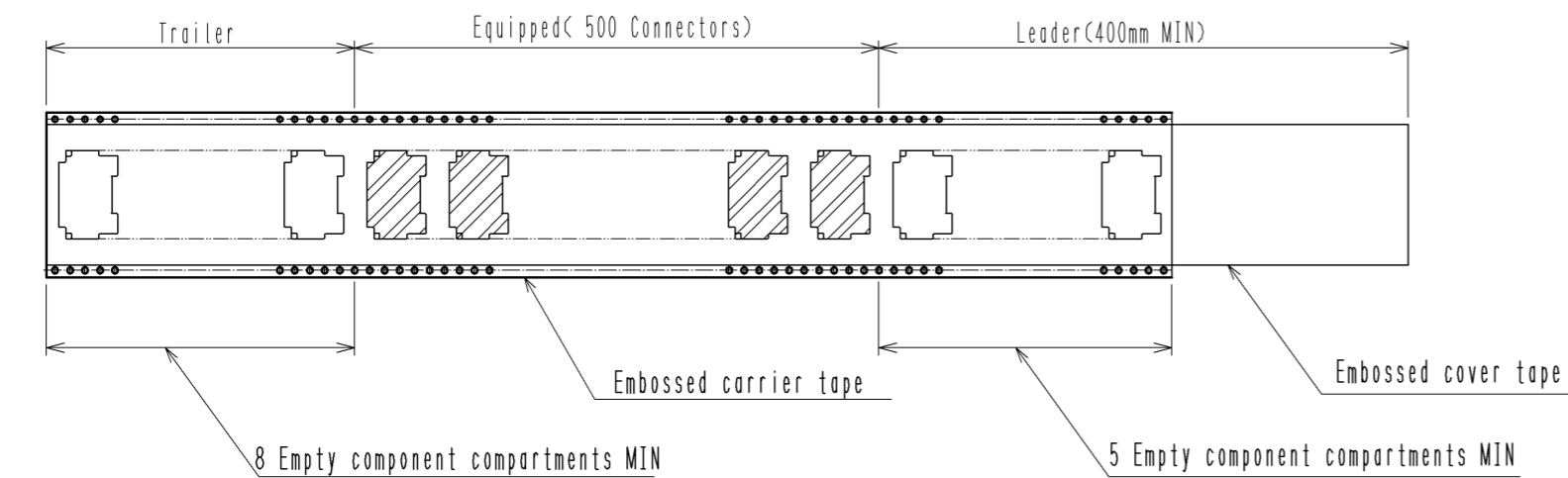
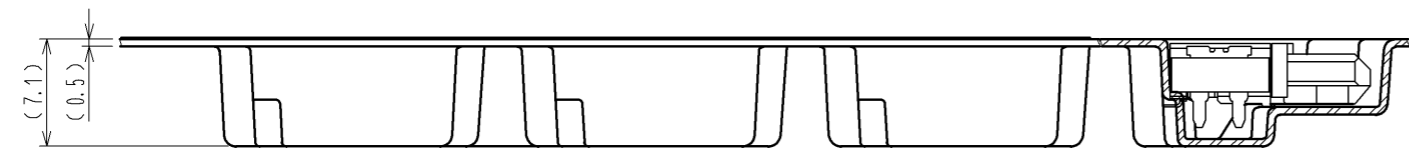
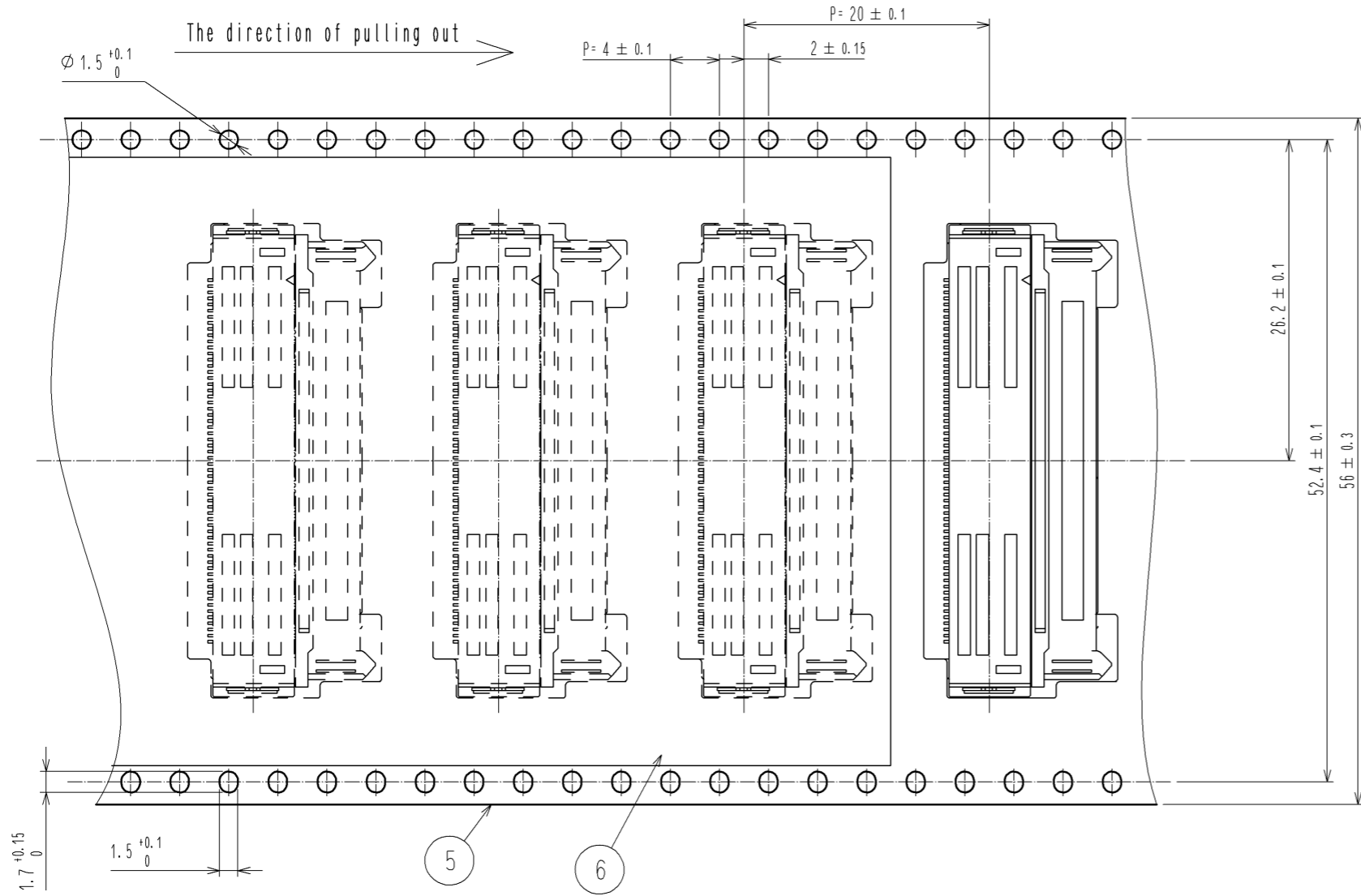
RECOMMENDED LAND PATTERN DIMENSION OF PCB
(PCB THICKNESS: t=1.6mm METAL MASK THICKNESS: t=0.12mm)



- NOTE 1 Lead CO-Planarity is 0.1mm MAX.
 (2) Floating range of this connector is ±0.6mm MAX.
 (3) It shows the vacuum pickup area.
 (4) Packing for product applies embossed carrier tape packing. (500pcs/RL)
 5 Blemish and hit mark can be occurred through out the manufacturing process which doesn't affect quality level.
 6 The dimensions in parentheses are for references.

3	COPPER ALLOY	CONTACT AREA: GOLD 0.1 μm	6	POLYESTER	(EMBOSSSED COVER TAPE)
		LEAD AREA: GOLD 0.03 μm	5	POLYSTYRENE	(EMBOSSSED CARRIER TAPE)
		UNDER PLATING: NICKEL 1.3 μm	4	BRASS	TIN-PLATING 3 μm
2	POLYAMIDE	BLACK UL94V-0			UNDER PLATING: NICKEL 1 μm
1	POLYAMIDE	BLACK UL94V-0			
NO.	MATERIAL	FINISH . REMARKS	NO.	MATERIAL	FINISH . REMARKS
UNITS mm		SCALE 2 : 1	COUNT	DESCRIPTION OF REVISIONS	
DESIGNED		CHECKED		DATE	
APPROVED : HS. OKAWA		14.07.07		DRAWING NO. EDC3-352598-00	
CHECKED : KN. SHIBUYA		14.07.07		PART NO. FX22-60P-0.5SH	
DESIGNED : AH. EDASHIGE		14.07.07		CODE NO. CL572-3003-0-00	
DRAWN : AH. EDASHIGE		14.07.07		1/2	

4 DRAWING FOR PACKING



HRS	DRAWING NO.	EDC3-352598-00	△ 2/2
	PART NO.	FX22-60P-0.5SH	
	CODE NO.	CL572-3003-0-00	