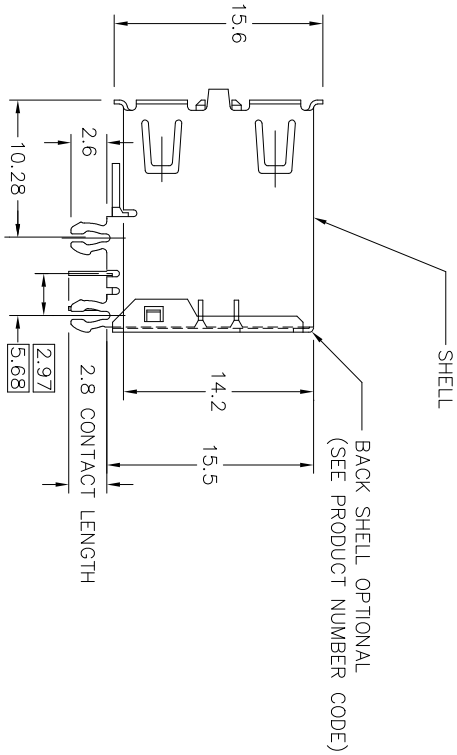


ASSEMBLY WITH BACK SHIELD
72309 - XX4XX SHOWN



mat'l. code	surface	tolerance	projection	product family
	ISO 1302	ISO 406 ISO	110°	USB HPL511
tr ecn no dr	date	tolerances unless otherwise specified	mm	title
AK1		angles: linear .00±.20	scale 1:1	UNIV. SERIAL BUS DOUBLE DECK RECEPTACLE
		0±.3		dwg no 72309
		0±.3		sheet 3 of 4
	dr Yuan-Yuan Bao/2019/05/29			size A3
	eng Yuan-Yuan Bao/2019/05/29			
	chr LQ Lei/2019/05/29			
	qppd Tim Yoo/2019/05/29			
sheet revision AL				
index sheet 1~4				

PDS: Rev: AL

STATUS: Released

Printed: 4th 03, 2019

PRODUCT NUMBER CODE

72309 -

X

X

X

X

X

P

S

LF

1 2 3 4 5 6

NOTE:
AVAILABLE P/N'S IN FCI NOW FOLLOWED:

- BASE PRODUCT NUMBER _____
- HOUSING COLOR + SHELL PLATING OPTIONS _____
- 0 - WHITE + NICKEL & TIN LEAD PLATING
- 1 - BLACK + NICKEL & TIN LEAD PLATING
- 2 - WHITE + NICKEL PLATING ONLY
- 3 - BLACK + NICKEL PLATING ONLY
- 4 - WHITE + NICKEL PLATING ONLY + LCP HSG
- 5 - BLACK + NICKEL PLATING ONLY + LCP HSG
- 6 - BLACK + NICKEL & TIN LEAD PLATING + LCP HSG
- 7 - BLACK + NICKEL & BRIGHT TIN PLATING
- 8 - WHITE + NICKEL & BRIGHT TIN PLATING
- 9 - BLACK + NICKEL & BRIGHT TIN PLATING +LCP HSG
- A - BLACK + NICKEL & MATTE TIN PLATING +LCP HSG
- S - BLACK + NICKEL PLATING ONLY + LCP HSG
- SHELL PLATING OPTION _____
- 0 - BARREL-PLATING
- 1 - PRE-PLATING
- SHELL OPTIONS _____
- 1 - NO BACK SHIELD, NO ARMS, FRONT GROUNDING ARMS
- 2 - BACK SHIELD, NO FRONT GROUNDING ARMS
- 3 - NO BACK SHIELD, FRONT GROUNDING ARMS
- 4 - BACK SHIELD, FRONT GROUNDING ARMS
- TERMINAL OPTION _____
- 3 - 50u" NI UNDERPLATE,30u" GXT CONTACT AREA,100u" MATTE TIN TAIL AREA
- 2.80mm TAIL LENGTH
- 4 - 50u" NI UNDERPLATE,30u" GXT CONTACT AREA,100u" MATTE TIN TAIL AREA
- 2.80mm TAIL LENGTH
- 5 - 50u" NI UNDERPLATE,30u" GOLD CONTACT AREA,100u" MATTE TIN TAIL AREA
- 3.94mm TAIL LENGTH
- PACKAGING OPTIONS _____
- B - TUBES
- R - TAPE & REEL
- Q - SPECIAL TUBES (LENGTH 600MM MAX)
- △ S - SPECIAL TAPE & REEL (REEL'S DIAMETER IS 380MM)
- WITH DATE CODE _____
- ONLY FOR PANASONIC _____
- LEAD FREE MARK _____
- LEAD FREE CONVERSION RULES -
- HOUSING COLOR AND SHELL PLATING OPTION: 0 TO 8, 1 TO 7, 6 TO 9
- TERMINAL PLATING OPTION: 0 TO 4, 2 TO 3
- SPECIFIC SHELL MATERIAL FOR 12K CYCLES DURABILITY,
PART NUMBER: 72309-S033XPLF/-S034XPLF

- 72309-0010X/8014XLF 72309-2010X/2014XLF
- 72309-0012X/8013XLF 72309-2012X/2013XLF
- 72309-0020X/8024XLF 72309-2020X/2024XLF
- 72309-0022X/8023XLF 72309-2022X/2023XLF
- 72309-0030X/8034XLF 72309-2030X/2034XLF
- 72309-0032X/8033XLF 72309-2032X/2033XLF
- 72309-0040X/8044XLF 72309-2040X/2044XLF
- 72309-0042X/8043XLF 72309-2042X/2043XLF
- 72309-1010X/7014XLF 72309-3010X/3014XLF
- 72309-1012X/7013XLF 72309-3012X/3013XLF
- 72309-1020X/7024XLF 72309-3020X/3024XLF
- 72309-1022X/7023XLF 72309-3022X/3023XLF
- 72309-1030X/7034XLF 72309-3030X/3034XLF
- 72309-1032X/7033XLF 72309-3032X/3033XLF
- 72309-1040X/7044XLF 72309-3040X/3044XLF
- 72309-1042X/7043XLF 72309-3042X/3043XLF
- 72309-0110X/8114XLF 72309-4040X/4044XLF
- 72309-0112X/8113XLF 72309-5012X/5013XLF
- 72309-0120X/8124XLF 72309-5030X/5034XLF
- 72309-0122X/8123XLF 72309-5040X/5044XLF/5044XSLF
- 72309-0130X/8134XLF 72309-5140X/5144XLF
- 72309-0132X/8133XLF 72309-6220X/9224XLF
- 72309-0140X/8144XLF 72309-4034XLF
- 72309-0142X/8143XLF 72309-3015XLF
- 72309-0144XLF 72309-3045XLF
- 72309-1110X/7114XLF 72309-S033XPLF
- 72309-1112X/7113XLF 72309-S034XPLF
- 72309-1120X/7124XLF
- 72309-1122X/7123XLF
- 72309-1130X/7134XLF
- 72309-1132X/7133XLF
- 72309-1140X/7144XLF
- 72309-1142X/7143XLF



Form: A3-2016-02-24

1

2

PDS: Rev: AL

STATUS: Released

Printed: 4th 03, 2019

5

6

mat'l. code	surfact	tolerance	projection	product family
AL	ISO 1302	ISO 406 ISO	110°	USB HPL511
	tolerances unless otherwise specified		mm	
	angles: linear	.05±.20	mm	
		.000±.10	mm	
	dr	Yuan-Bao/2019/05/29		dwg no
	eng/Yuan-Bao/2019/05/29			sheet4 of 4
	chr	LQ Lei		72309
	qppd	Tim Yoo		sheet4 of 4
sheet	revision	AL		A3
index	sheet	1-4		