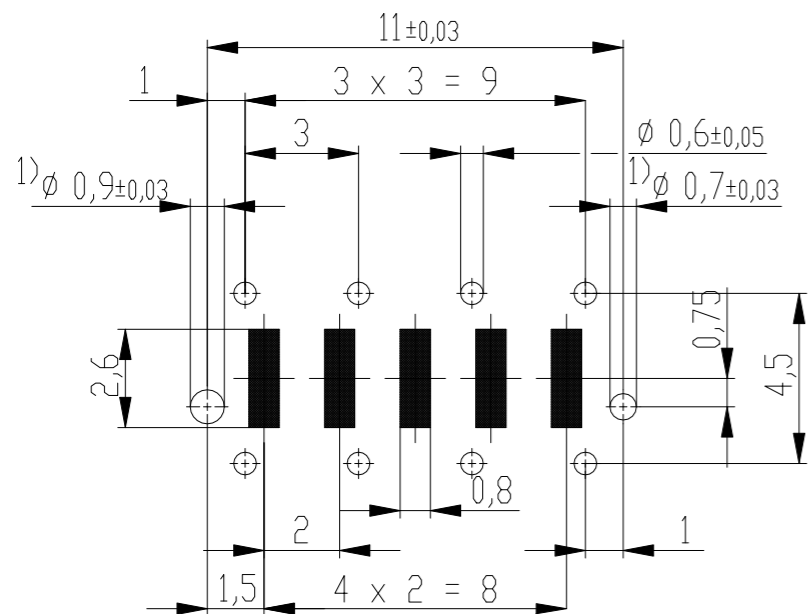
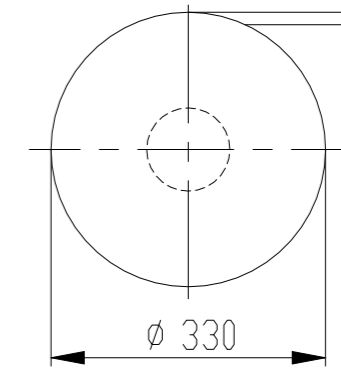


Leiterplatten-Layout Vorschlag / PCB-layout proposal

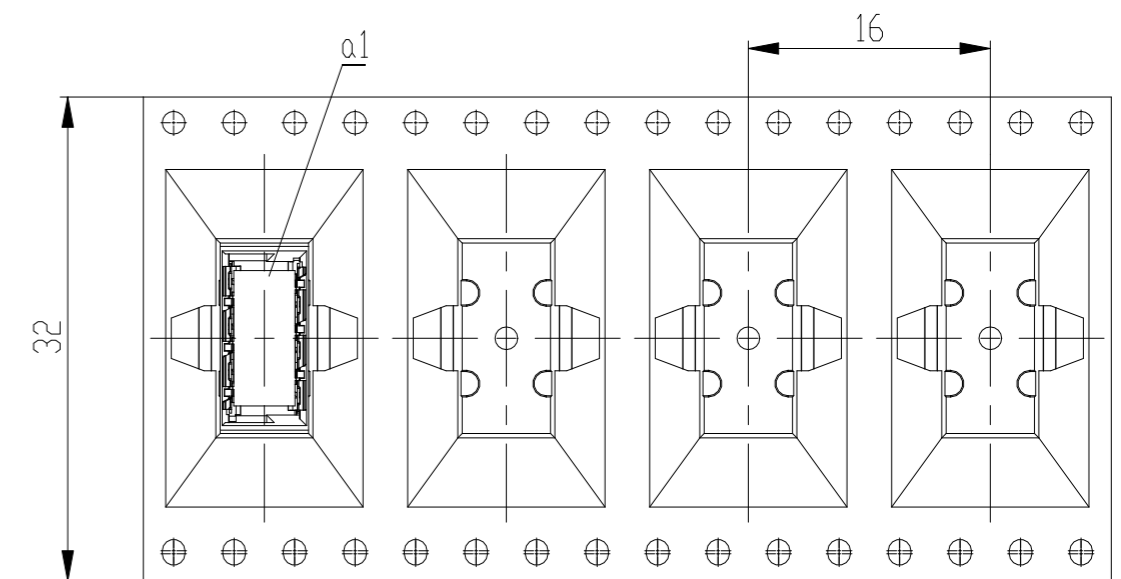


1) Durchmesser des Bohrers / Drill tool

Verpackt im Gurt nach DIN IEC 60286-3  
Tape on Reel Packaging according to DIN IEC 60286-3  
Verpackungseinheit: 220 Stück  
Packaging unit: 220 pcs



Akspulrichtung - Reel off Direction



Anforderungsstufe 1  
Performance Level 1

Kontaktbereich vergoldet  
Mating Area gold plating

Anschlussbereich verzinkt 4-6 µm  
Terminal Area 4-6 µm tin plating

Koplanarität der Anschlüsse ≤ 0,1 mm  
Coplanarity Area of Termination ≤ 0,1 mm

Information:	Tolerances	 All Dimensions in mm	Scale 5:1
	Customer drawing:		Designation
THIS DRAWING IS A CONTROLLED DOCUMENT.	Subject to modification without prior notice. Drawing will not be updated.	ERNI-Messerleiste THR, Powerm. 10mm Male Con. THR, Powerm. 10mm	
		TE Connectivity	
k	06.02.2014	C-214919-E	
Index	Date	Class MSPEED	I A3

Copyright by TE GmbH  
Proprietary notice pursuant to ISO 16016 to be observed.