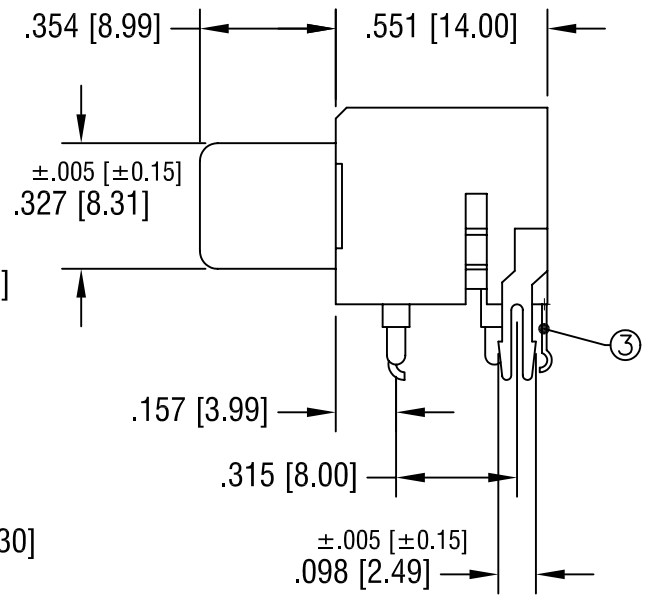
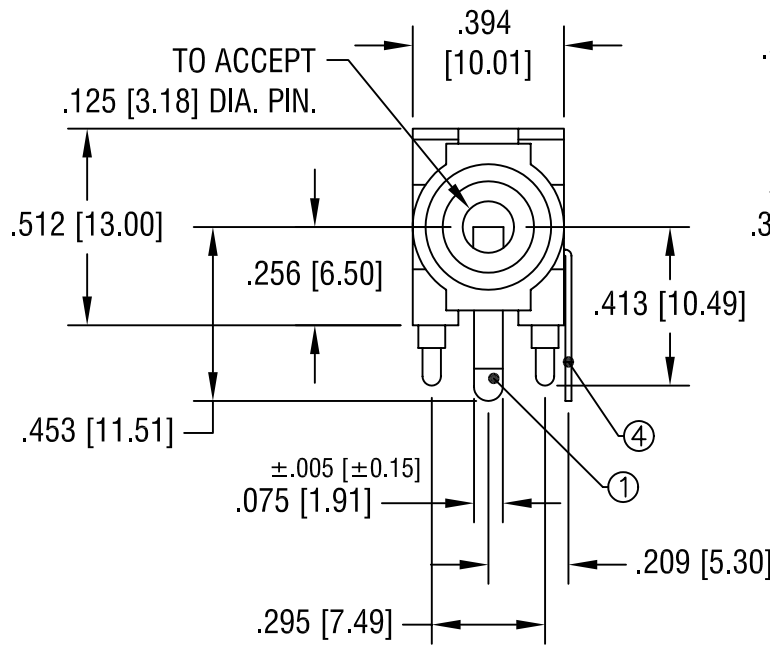
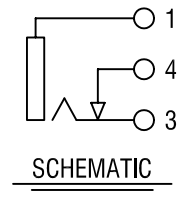
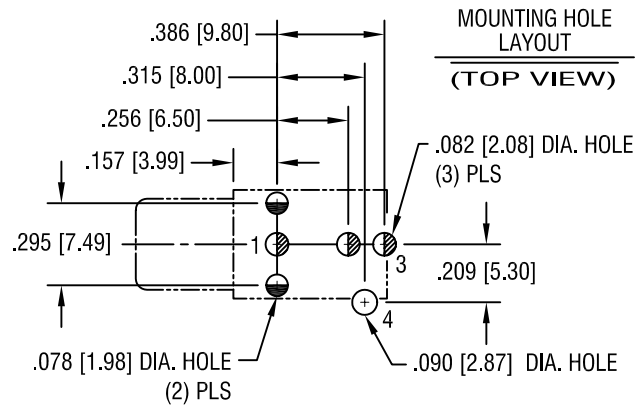


THIS DOCUMENT IS THE PROPERTY OF KEYSTONE ELECTRONICS CORP. AND SHALL NOT BE REPRODUCED, DISTRIBUTED OR USED AS A BASIS FOR MANUFACTURE WITHOUT PRIOR WRITTEN PERMISSION FROM KEYSTONE ELECTRONICS CORP.



NOTES:

HOUSING: PBT

- ① EARTH TERMINAL: .020 [0.5] TH'K BRASS
NICKEL PLATE
- ③ SPRING: .012 [0.3] TH'K
PHOSPHOR BRONZE
SILVER PLATE
- ④ CONTACT: .016 [0.4] TH'K BRASS
SILVER PLATE

| PART NO. | COLOR |
|----------|--------|
| 970 | WHITE |
| 971 | RED |
| 972 | BLACK |
| 973 | YELLOW |

| | | | |
|-----------------------------------|---------------|------------------------|----------------|
| KEYSTONE ELECTRONICS CORP. | | | |
| ASTORIA, N.Y. 11105-2017 | | | |
| PART NAME | | CLOSED CIRCUIT PC JACK | |
| MATERIAL | | AS NOTED | |
| FINISH | | DRN BY | DATE |
| AS NOTED | | BOONE | 1.7.97 |
| | | APPD | SCALE |
| | | LN | 2X |
| TOLERANCES | INCH | CODE | DWG NO. |
| DECIMAL | ±.010 [±0.25] | C/M | 970-973 |
| ANGULAR | ± 1° | | |
| UNLESS OTHERWISE SPECIFIED | | | |

| | | |
|--------|--------------------------|------|
| 4.1.03 | CHANGE AS PER ECN 03-026 | A |
| DATE | DESCRIPTION | REV. |

Mouser Electronics

Authorized Distributor

Click to View Pricing, Inventory, Delivery & Lifecycle Information:

[Keystone Electronics:](#)

[971](#)