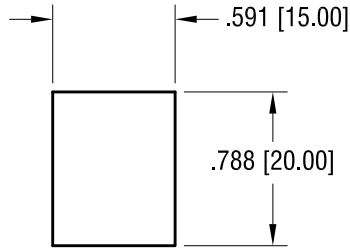
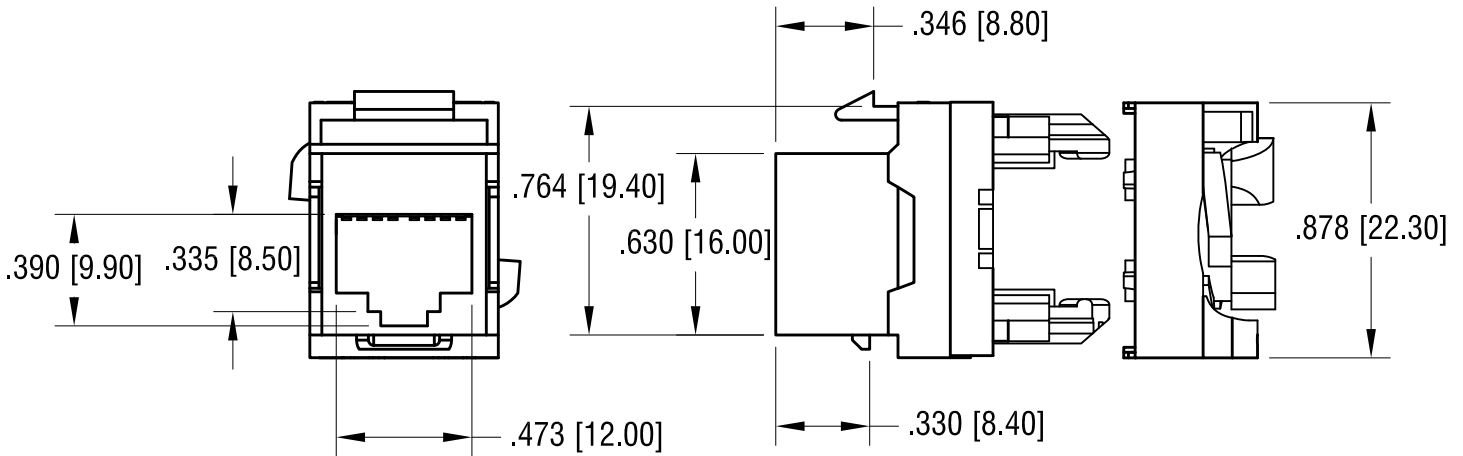
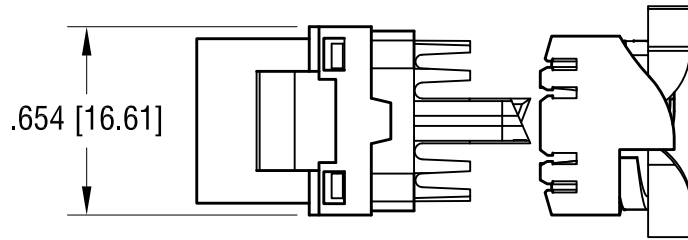
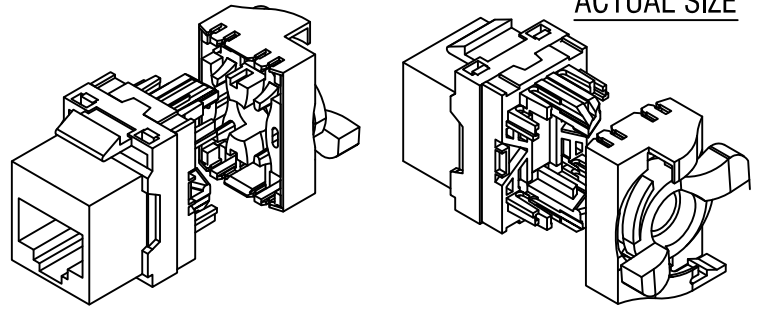


THIS DOCUMENT IS THE PROPERTY OF KEYSTONE ELECTRONICS CORP. AND SHALL NOT BE REPRODUCED, DISTRIBUTED OR USED AS A BASIS FOR MANUFACTURE WITHOUT PRIOR WRITTEN PERMISSION FROM KEYSTONE ELECTRONICS CORP.

PANEL CUTOUT



ACTUAL SIZE



NOTE:

1. HOUSING: MAT'L- PC UL 94V-0
2. INSERT : MAT'L- FLAME RETARDANT ABS UL94V-0
3. CONTACT: MAT'L PHOSPHOR BRONZE FINISH- GOLD PLATE
4. IDC CONTACT: MAT'L- PHOSPHOR BRONZE FINISH- NICKEL PLATE
5. WIRE: 24-26 AWG (8 WIRES)
6. RJ45 CONTACTS: ≥ 750 TIMES
7. IDN LIFE: 250 TIMES MIN.
8. RETENTIVENESS OF INSERTION STRUCTURE: 50N 60 \pm 5s
9. COMPLIANT WITH EIA/TIA SPECIFICATION
10. DUAL COLOR- CODED LABEL FOR BOTH T568A/T568B WIRING SCHEMES

KEYSTONE ELECTRONICS CORP.

www.keyelco.com • ASTORIA, N.Y. 11105-2017 • Tel (718) 956-8900

PART NAME			
KEYSTONE JACK, CAT 6A UTP TOOLLESS			
MATERIAL			
AS NOTED			
FINISH		DRN BY	DATE
AS NOTED		NT	2.12.15
		APP'D	SCALE
		RH	1.5X
TOLERANCES	INCH [MM]	CODE	DWG NO.
DECIMAL	$\pm .005$ [± 0.13]	C	
ANGULAR	$\pm 1^\circ$		
UNLESS OTHERWISE SPECIFIED			
			946

9.02.15	UPDATE SPECIFICATION CHANGE AS PER ECN 15-087	A
DATE	DESCRIPTION	REV.

Mouser Electronics

Authorized Distributor

Click to View Pricing, Inventory, Delivery & Lifecycle Information:

[Keystone Electronics:](#)

[946](#)