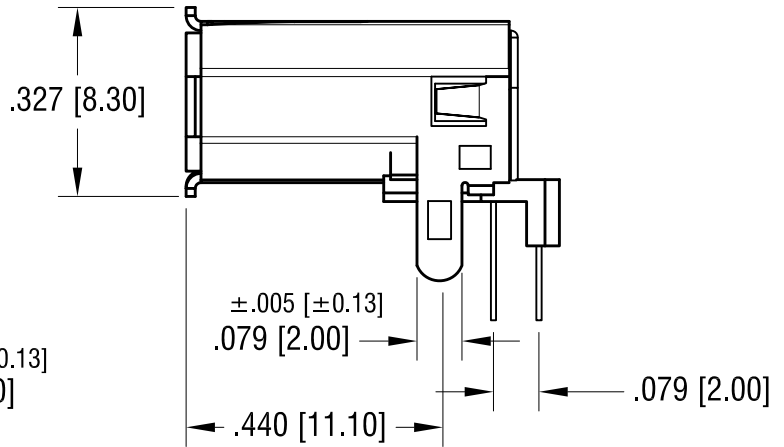
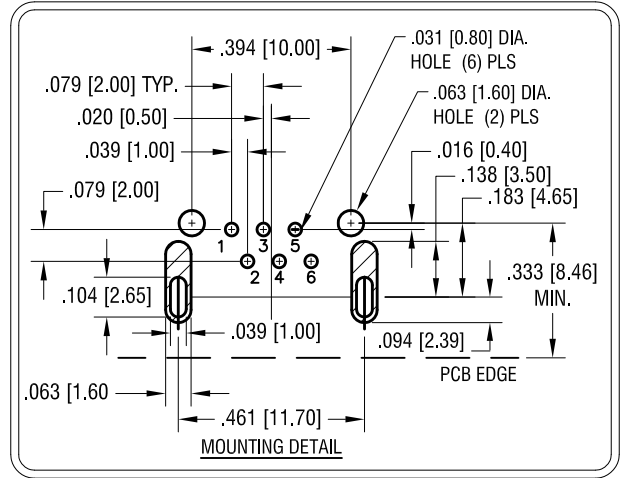
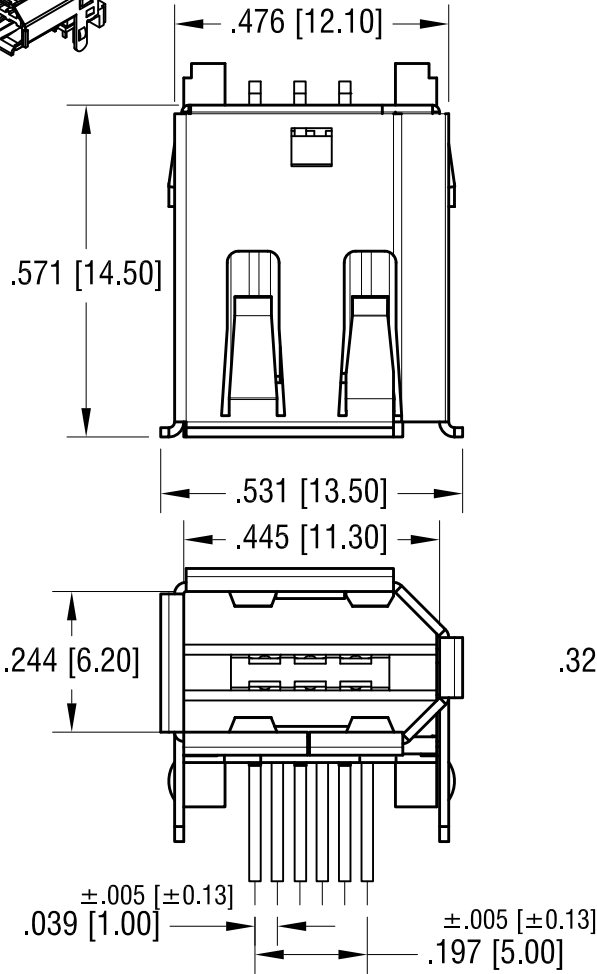
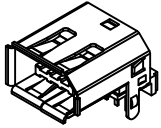


THIS DOCUMENT IS THE PROPERTY OF KEYSTONE ELECTRONICS CORP. AND SHALL NOT BE REPRODUCED, DISTRIBUTED OR USED AS A BASIS FOR MANUFACTURE WITHOUT PRIOR WRITTEN PERMISSION FROM KEYSTONE ELECTRONICS CORP.

ACTUAL SIZE



NOTE:

1. SHELL: MAT'L- STEEL  
FINISH- TIN PLATE, OVER NICKEL PLATE
2. INSULATOR: MAT'L- THERMOPLASTIC, UL94V-0
3. CONTACT: MAT'L- PHOSPHOR BRONZE  
FINISH ON CONTACT AREAS-  
GOLD PLATE, OVER NICKEL PLATE  
FINISH ON SOLDER TAIL-  
TIN PLATE, OVER NICKEL PLATE

4. ELECTRICAL SPECIFICATIONS:

- RATED VOLTAGE- 30V AC (rms)
- CONTACT CURRENT RATING: 1A MAX.
- CONTACT CURRENT RESISTANCE: 30 millioms MAX,
- INSULATION RESISTANCE: 1000 Megohms Min.
- DIELECTRIC WITHSTANDING: .750V AC
- OPERATING TEMPERATURE: 32° [0°C] TO 104° [40°C]

**KEYSTONE ELECTRONICS CORP.**

www.keyelco.com • ASTORIA, N.Y. 11105-2017 • Tel (718) 956-8900

PART NAME		IEEE 1394 'FIREWIRE' HORIZONTAL SOCKET	
MATERIAL			
AS NOTED			
FINISH	AS NOTED	DRN BY	BOONE
		APP'D	LN
		DATE	7.1.99
		SCALE	3X
TOLERANCES	INCH [MM]	CODE	DWG NO.
DECIMAL	± .010 [± 0.25]	C	929
ANGULAR	± 1°		
UNLESS OTHERWISE SPECIFIED			

5.19.16	CHANGE AS PER ECN 16-059	B
6.7.05	CHANGE AS PER ECN 05-031	A
DATE	DESCRIPTION	REV.

# Mouser Electronics

Authorized Distributor

Click to View Pricing, Inventory, Delivery & Lifecycle Information:

[Keystone Electronics:](#)

[929](#)