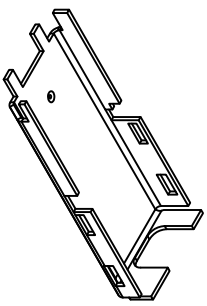
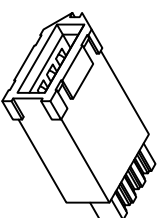


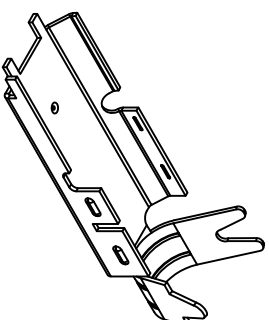
DATE	DESCRIPTION	REV.
8.9.99	CHANGE AS PER ECN 99-054	A
6.7.05	CHANGE AS PER ECN 05-030	B
12.08.10	CHANGE AS PER ECN 10-085	C
3.11.16	CHANGE AS PER ECN 16-038	D
11.15.21	CHANGE AS PER ECN 21-131 (E1) WAS 31.47mm, (E2) WAS 5.33 mm	E



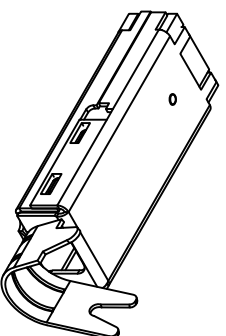
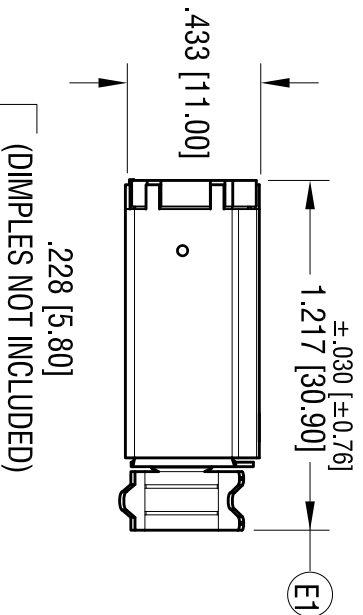
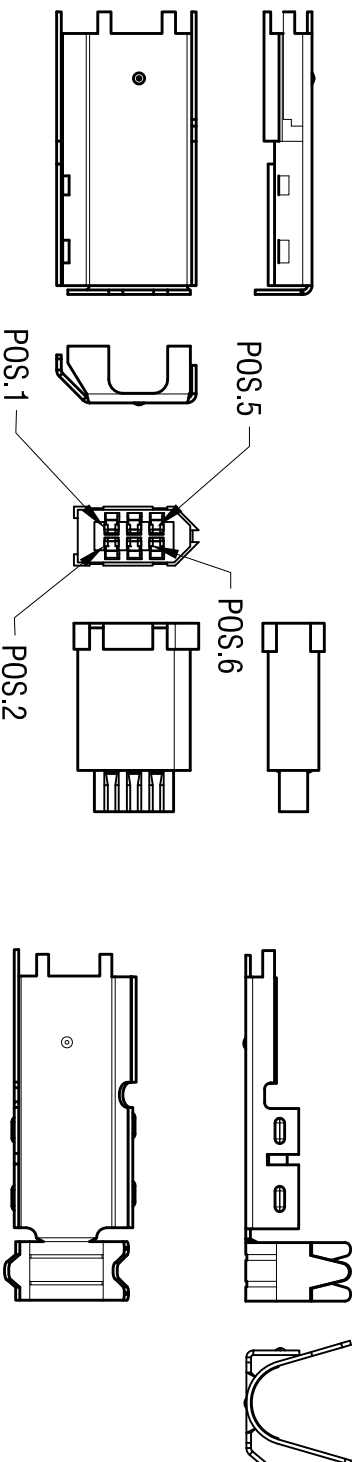
FRONT SHELL



INNER HOUSING / TERMINALS



REAR SHELL



ASSEMBLY

Notes:

- Shell: Matt: Steel,
- Finish: Nickel Plate over Copper.
- Insulator: Matt: Thermoplastic UL 94V-0
- Contacts: Matt: Bronze
- Finish: Gold Plate over Nickel Plate on Contact Area.
- Tin Plate over Nickel Plate on Solder Tail.

KEYSTONE ELECTRONICS CORP.

www.keystone.com • NEW HYDE PARK, NY 11040 • Tel (516) 328-7500

PART NAME

IEEE 1394 FIREWIRE PLUG

MATERIAL

AS NOTED

FINISH

AS NOTED

TOLERANCES	INCH	[MM]	CODE	DWG NO.
DECIMAL	± .010	[± 0.25]	C	
ANGULAR	± 1°			

THIS DOCUMENT IS THE PROPERTY OF KEYSTONE ELECTRONICS CORP. AND SHALL NOT BE REPRODUCED, DISTRIBUTED OR USED AS A BASIS FOR MANUFACTURE WITHOUT PRIOR WRITTEN PERMISSION FROM KEYSTONE ELECTRONICS CORP.

DRN BY BOONE DATE 5.22.98

App'D RH SCALE 1.5X

928

Mouser Electronics

Authorized Distributor

Click to View Pricing, Inventory, Delivery & Lifecycle Information:

[Keystone Electronics:](#)

[928](#)