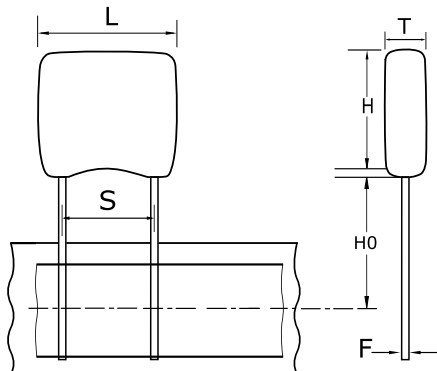


GoldMax 300 Auto X8L HT150C, Ceramic, 2.2 uF, 10%, 50 VDC, X8L, "GoldMax, Automotive Grade", Lead Spacing = 2.54mm



General Information	
Series:	GoldMax 300 Auto X8L HT150C
Style:	Radial
Description:	"GoldMax, Automotive Grade"
Features:	Automotive Grade
RoHS:	Yes
Termination:	Tin
Failure Rate:	N/A
Qualifications:	AEC-Q200
AEC-Q200:	Yes
Halogen Free:	Yes

Dimensions	
L	5.08mm MAX
H	5.84mm MAX
T	3.18mm MAX
S	2.54mm +/-0.78mm
H0	16mm +/-0.5mm
F	0.51mm +0.1/-0.025mm

Specifications	
Capacitance:	2.2 uF
Capacitance Tolerance:	10%
Voltage DC:	50 VDC
Dielectric Withstanding Voltage:	125 VDC
Temperature Range:	-55/+150°C
Temperature Coefficient:	X8L
Dissipation Factor:	2.5%
Aging Rate:	3% Loss/Decade Hour
Insulation Resistance:	454.5 MOhms

Packaging Specifications	
Packaging:	T&R, 305mm
Packaging Quantity:	2500