

# Customer Information Sheet

DRAWING No.: M50-360XX42R

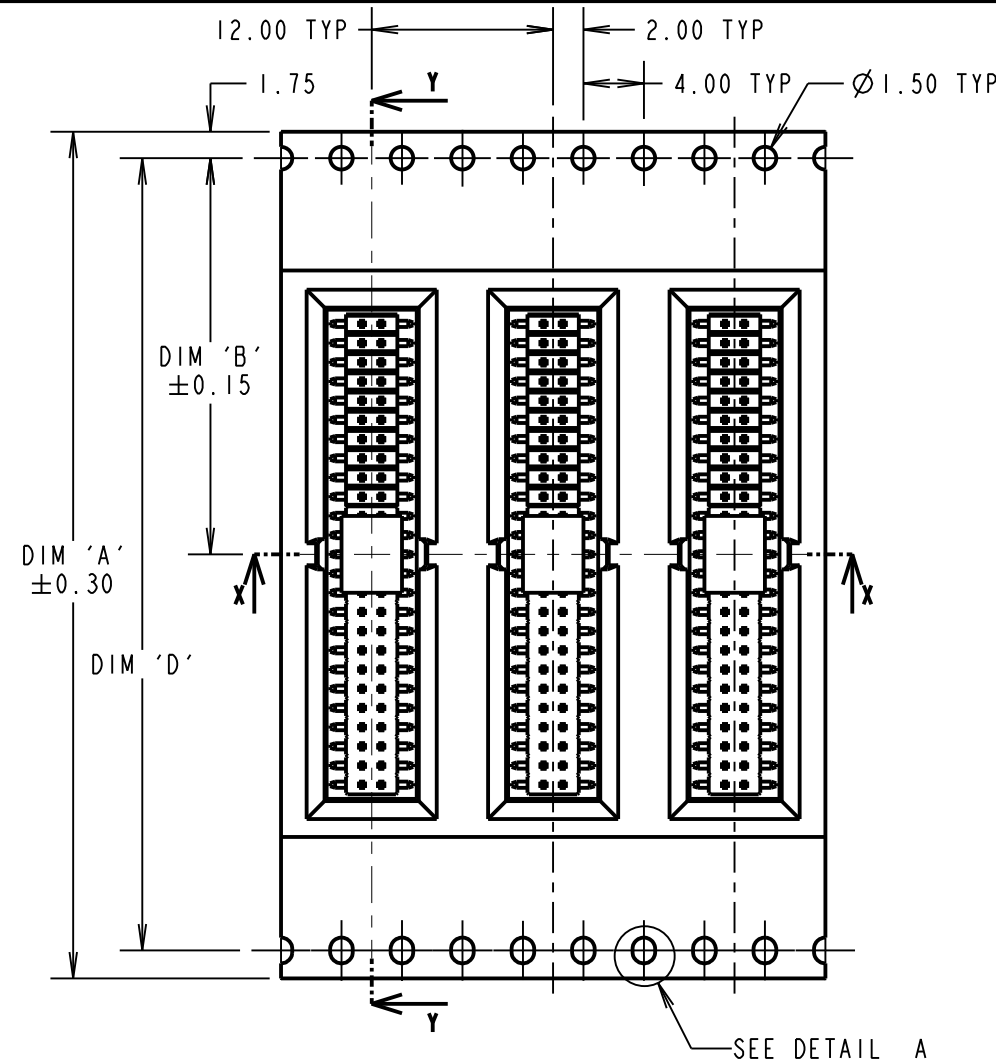
IF IN DOUBT - ASK

©

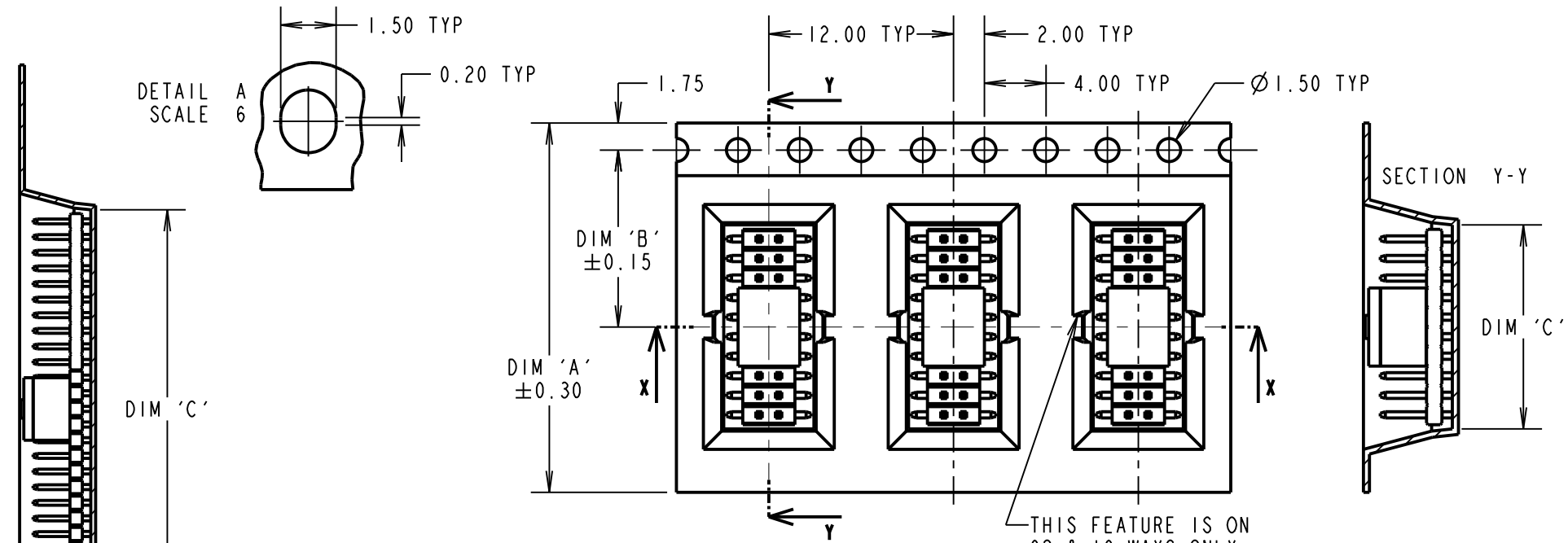
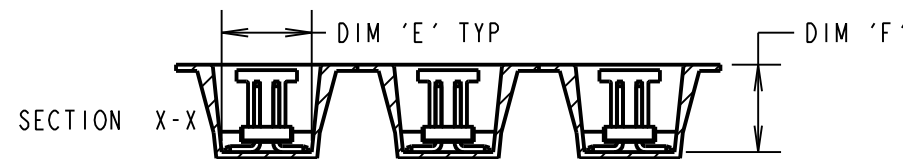
NOT TO SCALE

THIRD ANGLE PROJECTION

ALL DIMENSIONS IN mm



TAPE DETAILS FOR 20 & 25 WAYS



TAPE DETAILS FOR 02, 03, 04, 05, 06, 08 & 10 WAYS

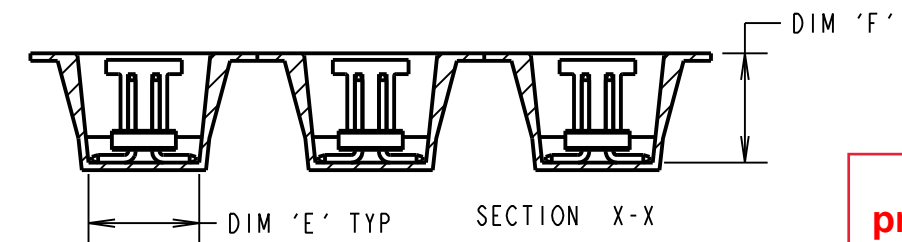
**OBSOLETE**  
All other size/finish combinations not listed below

ORDER CODE:

**M50-360XX42R**

No. OF CONTACTS PER ROW:  
02, 03, 04, 05, 06, 08, 10, 20, 25

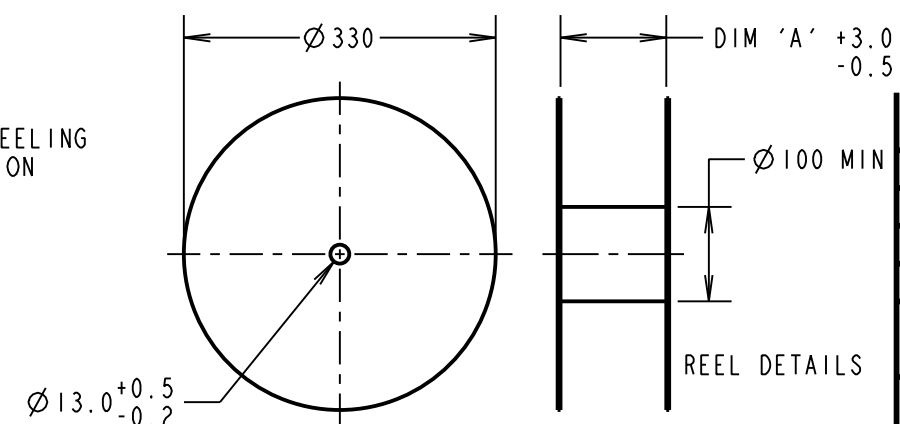
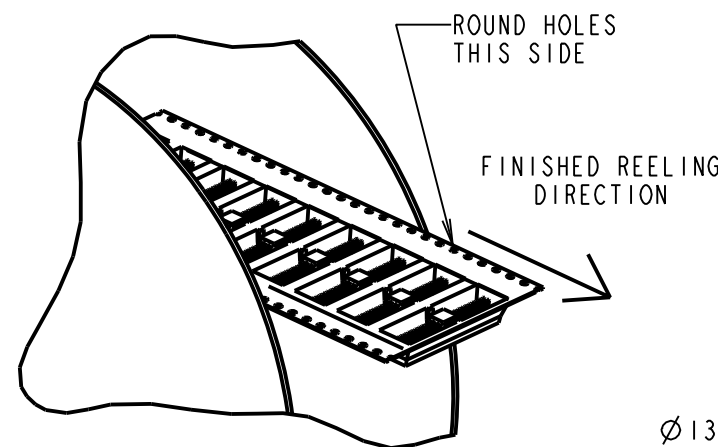
FINISH:  
42 = SELECTIVE GOLD & 100% TIN OVER NICKEL



**Active products:**

- M50-3600242R
- M50-3600342R
- M50-3600542R
- M50-3600642R
- M50-3600842R
- M50-3601042R
- M50-3602542R

| REELED PART No.         | DIM 'A' | DIM 'B' | DIM 'C' | DIM 'D' | DIM 'E' | DIM 'F' | REEL QTY |      |
|-------------------------|---------|---------|---------|---------|---------|---------|----------|------|
| M50-3600242R            | 16.00   | 7.50    | 3.60    | N/A     | 5.85    | 5.78    | 750      |      |
| M50-3600342R            |         |         | 4.00    |         | 5.78    |         |          |      |
| <del>M50-3600442R</del> |         |         | 5.40    |         | 5.78    |         |          |      |
| M50-3600542R            | 24.00   | 11.50   | 6.65    | N/A     | 5.90    | 5.78    | 800      |      |
| M50-3600642R            |         |         | 7.90    |         | 5.85    |         |          |      |
| M50-3600842R            |         |         | 10.79   |         | 6.00    |         |          | 6.15 |
| M50-3601042R            |         |         | 13.00   |         | 5.85    |         |          | 5.78 |
| <del>M50-3602042R</del> | 44.00   | 20.20   | 25.70   | 40.40   | 5.95    | 5.78    | 750      |      |
| M50-3602542R            | 56.00   | 26.20   | 32.10   | 52.40   | 5.95    | 5.78    | 750      |      |



|                |      |          |       |
|----------------|------|----------|-------|
| MGP            | 15   | 10.08.20 | 30130 |
| NAME           | ISS. | DATE     | CN/CO |
| APPROVED: MGP  |      |          |       |
| CHECKED: RA    |      |          |       |
| DRAWN: R.ADDE  |      |          |       |
| CUSTOMER REF.: |      |          |       |
| ASSEMBLY DRG:  |      |          |       |

- NOTES:
- CUMULATIVE TOLERANCES OVER 10 PITCHES = ±0.20mm
  - TAPE & REELING TO BE IN ACCORDANCE WITH EIA-481 (ELECTRONIC INDUSTRIES ASSOCIATION).
  - FOR CONNECTOR DETAILS SEE SHEET 4.

**HARWIN**

www.harwin.com  
technical@harwin.com

THIS DRAWING AND ANY INFORMATION OR DESCRIPTIVE MATTER SET OUT HEREON ARE CONFIDENTIAL AND COPYRIGHT PROPERTY OF THE HARWIN GROUP AND MUST NOT BE DISCLOSED, LOANED, COPIED OR USED FOR MANUFACTURING, TENDERING OR FOR ANY OTHER PURPOSE WITHOUT THEIR WRITTEN PERMISSION.

TOLERANCES  
X. = ±1mm  
X.X = ±0.50mm  
X.XX = ±0.20mm  
X.XXX = ±0.01mm  
ANGLES = ±5°  
UNLESS STATED

MATERIAL:  
SEE ABOVE  
FINISH: SEE ABOVE  
S/AREA: mm<sup>2</sup>

TITLE: 1.27mm PITCH DIL SMT VERT  
LOW PROFILE SOCKET ASSY  
(TAPE & REEL)

DRAWING NUMBER:  
**M50-360XX42R**

SHT  
3  
OF  
4

# Customer Information Sheet

DRAWING No.: M50-360XX42R

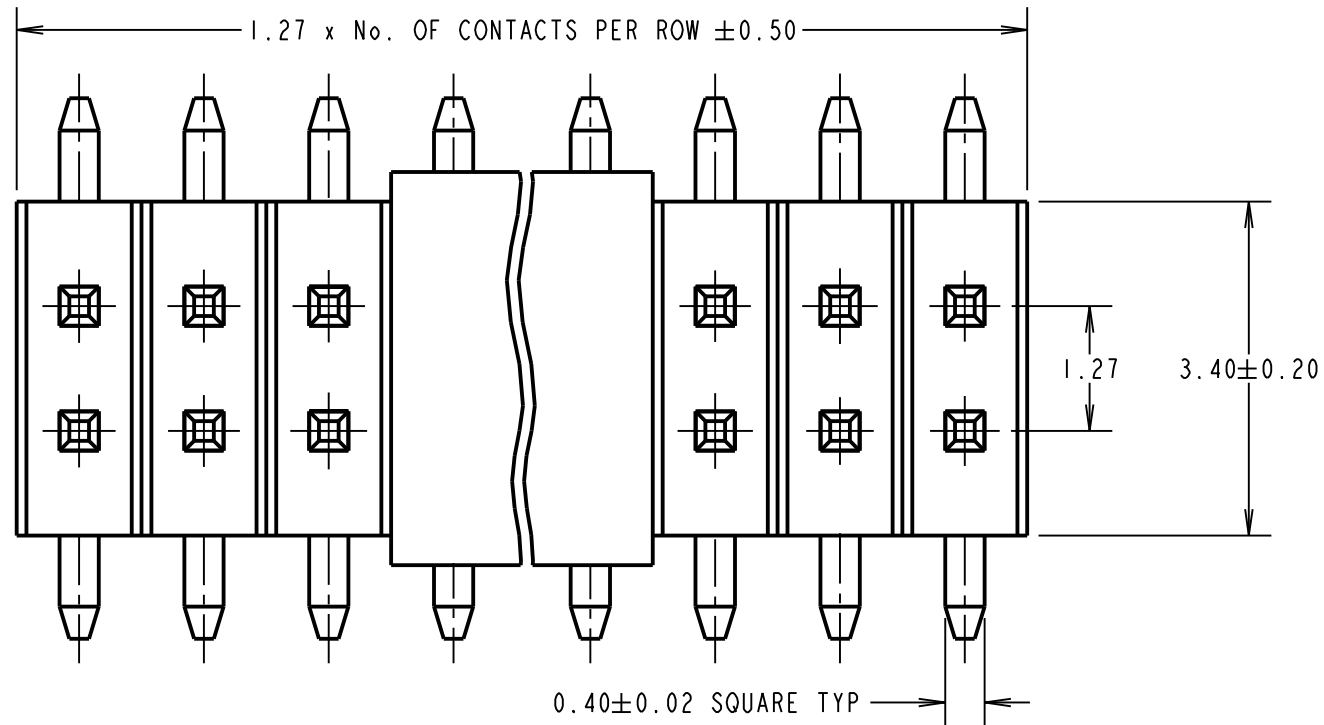
IF IN DOUBT - ASK

©

NOT TO SCALE

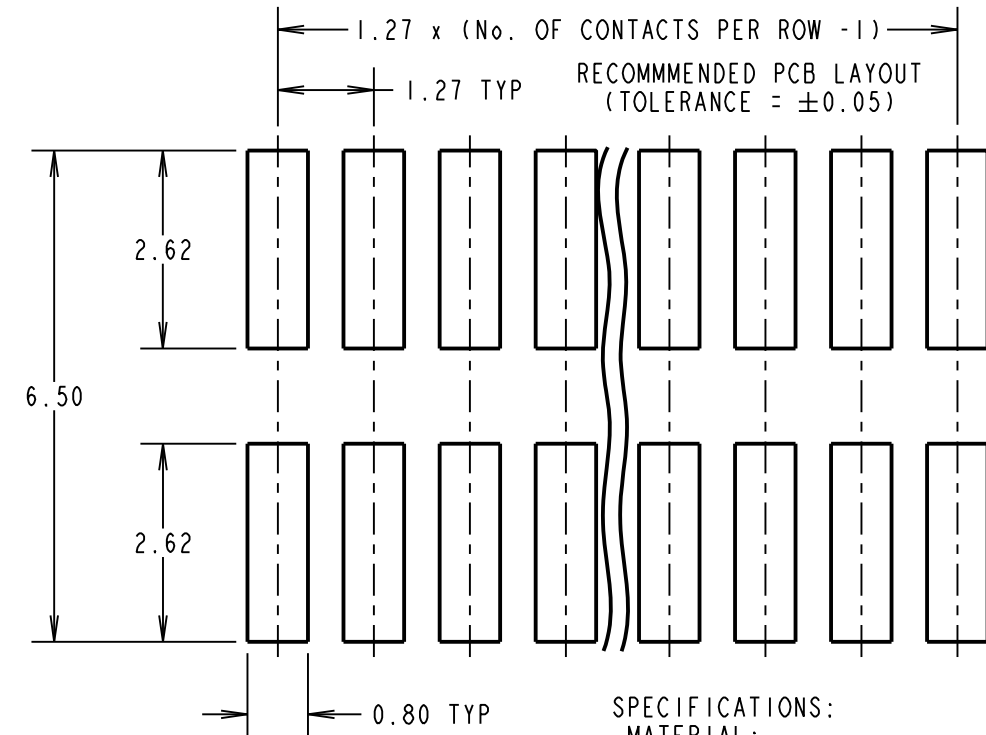
THIRD ANGLE PROJECTION

ALL DIMENSIONS IN mm



**Active products:**

- M50-3600242R
- M50-3600342R
- M50-3600542R
- M50-3600642R
- M50-3600842R
- M50-3601042R
- M50-3602542R



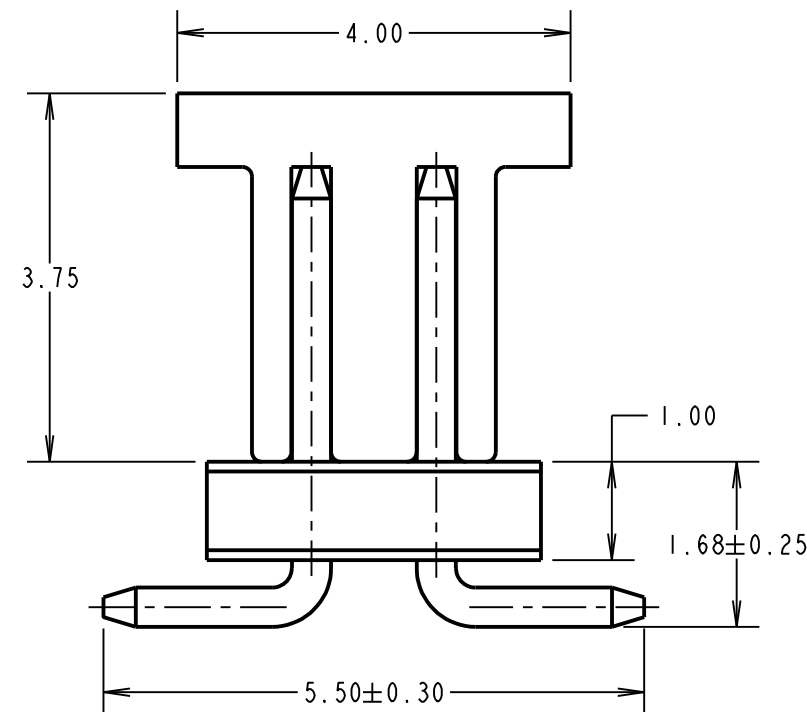
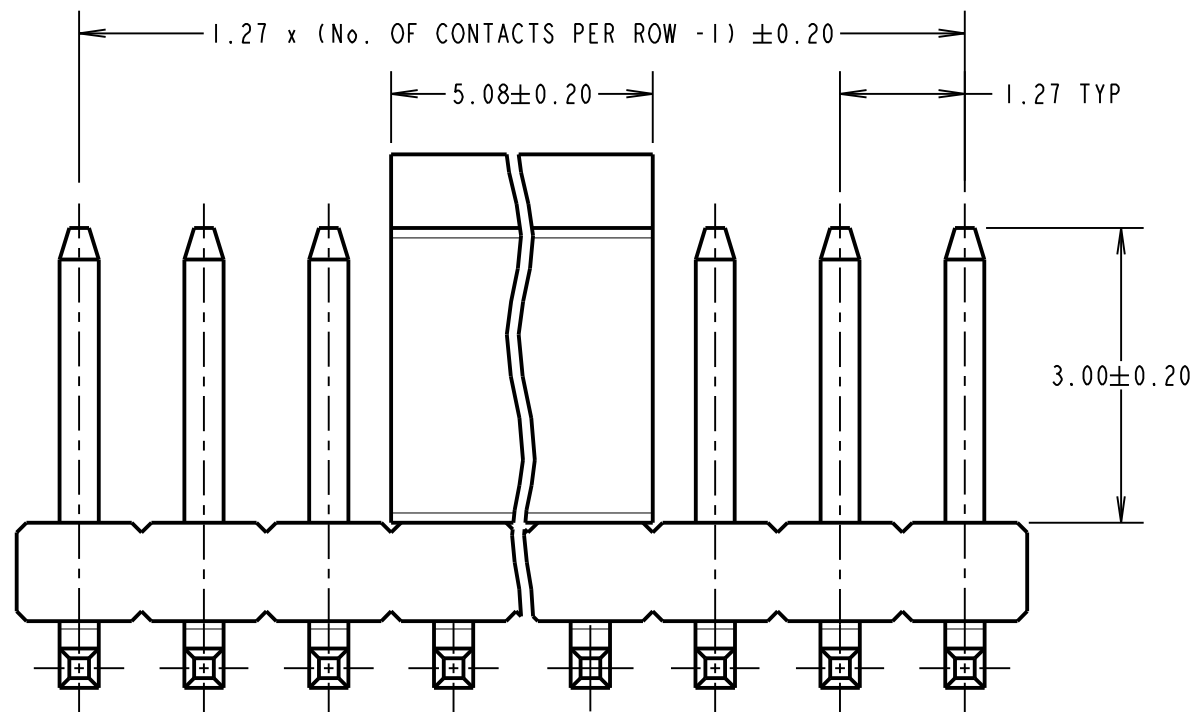
**SPECIFICATIONS:**

**MATERIAL:**  
 MOULDING = HIGH TEMP THERMOPLASTIC, UL94V-0, BLACK  
 CONTACTS = COPPER ALLOY  
**FINISH:**  
 CONTACTS = 0.70 TO 1.30  $\mu\text{m}$  NICKEL ALL OVER, 0.08 TO 0.15  $\mu\text{m}$  GOLD ON CONTACT AREA, 2.50 TO 3.00  $\mu\text{m}$  100% TIN ON TAILS

**ELECTRICAL:**  
 CURRENT RATING = 1A  
 CONTACT RESISTANCE = 20m $\Omega$  MAX  
 INSULATION RESISTANCE = 1000M $\Omega$  MIN  
 DIELECTRIC WITHSTANDING = 500V AC FOR ONE MINUTE

**MECHANICAL:**  
 DURABILITY = 300 CYCLES MIN  
**ENVIRONMENTAL:**  
 TEMPERATURE RANGE = -40°C TO +105°C

**PACKING:**  
 BOX  
 FOR COMPLETE SPECIFICATION, SEE COMPONENT SPECIFICATION C029XX (LATEST ISSUE)



**OBSOLETE**

All other size/finish combinations not listed above

ORDER CODE:

**M50-360XX42R**

No. OF CONTACTS PER ROW: \_\_\_\_\_  
 02, 03, 04, 05, 06, 08, 10, 20, 25

FINISH: \_\_\_\_\_  
 42 = SELECTIVE GOLD & 100% TIN OVER NICKEL

**NOTES:**

1. CO-PLANARITY OF TAILS FOR 02 TO 30 CONTACTS PER ROW = 0.15mm, 31 TO 50 CONTACTS PER ROW = 0.20mm.
2. ALL TOLERANCES ARE  $\pm 0.15$ , UNLESS OTHERWISE STATED.
3. FOR TAPE AND REEL DETAILS, SEE SHEET 3.

**HARWIN**

www.harwin.com  
 technical@harwin.com

THIS DRAWING AND ANY INFORMATION OR DESCRIPTIVE MATTER SET OUT HEREON ARE CONFIDENTIAL AND COPYRIGHT PROPERTY OF THE HARWIN GROUP AND MUST NOT BE DISCLOSED, LOANED, COPIED OR USED FOR MANUFACTURING, TENDERING OR FOR ANY OTHER PURPOSE WITHOUT THEIR WRITTEN PERMISSION.

**TOLERANCES**  
 X =  $\pm 1\text{mm}$   
 X.X =  $\pm 0.50\text{mm}$   
 X.XX =  $\pm 0.20\text{mm}$   
 X.XXX =  $\pm 0.01\text{mm}$   
 ANGLES =  $\pm 5^\circ$   
 UNLESS STATED

**MATERIAL:**  
 SEE ABOVE  
**FINISH:** SEE ABOVE  
**S/AREA:** mm<sup>2</sup>

**TITLE:** 1.27mm PITCH DIL SMT VERT LOW PROFILE SOCKET ASSY (TAPE & REEL)

**DRAWING NUMBER:** M50-360XX42R

|                |      |          |       |
|----------------|------|----------|-------|
| MGP            | 15   | 10.08.20 | 30130 |
| NAME           | ISS. | DATE     | CN/CO |
| APPROVED: MGP  |      |          |       |
| CHECKED: RA    |      |          |       |
| DRAWN: R.ADDE  |      |          |       |
| CUSTOMER REF.: |      |          |       |
| ASSEMBLY DRG:  |      |          |       |

# Mouser Electronics

Authorized Distributor

Click to View Pricing, Inventory, Delivery & Lifecycle Information:

[Harwin:](#)

[M50-3601042R](#) [M50-3600542R](#) [M50-3602542R](#) [M50-3602042R](#) [M50-3600442R](#)