

PL-CORE-G7 3000-S35 L15 H1

PrevaLED Core G7 Food | Spot-, Down- and Wallmount Light Engines and Modules



Product family features

- Complete portfolio with varying luminous flux, color temperature, color rendering
- Lifetime (L80/B10): 60,000 h (temperature at $T_p = 65\text{ °C}$)
- LED module is basic isolated to mounting surface
- Photobiological safety according to IEC/TR 62778, risk group RG1
- Max. working voltage: 60 V (to be operated only on SELV LED control gear)

Product family benefits

- Easy integration thanks to very compact form factor
- Easy cooling due to optimized efficiency and high maximum operation temperature
- High driver flexibility allows cost-effective and intelligent systems
- 5 year guarantee

Areas of application

- Excellent light for FOOD applications
- Spotlighting in shops and retail
- Down- and wall lighting in offices, corridors, meeting rooms, workplaces
- Decorative and functional lighting in hospitality, hotels, restaurants
- Functional lighting in public and commercial buildings



Product datasheet

Technical data

Electrical data

Nominal wattage	27.20 W
Rated wattage	27.20 W
Nominal voltage	35.0 V
Type of current	DC
Nominal current	0.78 A
Rated current (LEDm) [AGGR]	0.78 A

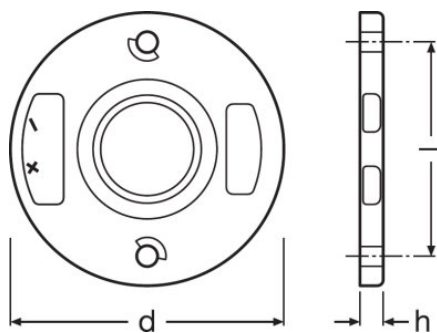
Photometrical data

Total useful luminous flux	3000 lm
Luminous efficacy	110 lm/W
Standard deviation of color matching	≤ 3 sdcn
Color temperature	3500 K
Light color (designation)	Neutral White

Light technical data

Rated beam angle (half peak value)	114.60 °
Starting time	0.0 s
Warm-up time (60 %)	0.00 s
Beam angle	120 °

Dimensions & weight



Rated height	3.40 mm
Product weight	6.00 g
Diameter	44.0 mm

Temperatures & operating conditions



Intelligent LED Solutions, Unit 2, Berkshire Business Centre, Berkshire Drive, Thatcham, Berkshire, RG19 4EW
Telephone: +44 (0)1635 294606 Email: info@i-led.co.uk Web: www.i-led.co.uk
A division of Intelligent Group Solutions Ltd

Product datasheet

Performance temp. acc. to IEC 62717	65 °C
Maximum temperature at tc test point	100 °C
Ambient temperature range	-20...+50 °C
Temperature range at storage	-20...60 °C

Lifespan

Lumen main.fact.at end of nom.life time	0.80
Lifespan	60000 h
Rated lamp life time	100000 h
Number of switching cycles	100000

Additional product data

Product remark	Modules perfectly matched to OSRAM OPTOTRONIC LED drivers (see relevant table)/For current photometric data and important safety, installation and application information (see www.osram.com/led-systems)/All the technical parameters apply to the entire module. In view of the complex manufacturing process for light emitting diodes, the typical values given above for the technical LED parameters are merely statistical values that do not necessarily correspond to the actual technical parameters of an individual product; individual products may vary from the typical values/Tolerance for optical and electrical data: +/-10%/OSRAM is not liable for errors in luminaires design and assembly
----------------	---




Certificates & standards

Standards	CE/ENEC
Type of protection	IP20

Logistical data

Commodity code	854140100000
----------------	--------------

Download Data

File
 Addon Technical Information PrevaLED Core G7 Overview
 Brochures Technical Application Guide PrevaLED Core G7 Food and Fashion LED modules (EN)
 Certificates ENEC Certificate PL CORE G7

Product datasheet

Logistical Data

Product code	Product description	Packaging unit (Pieces/Unit)	Dimensions (length x width x height)	Volume	Gross weight
4052899576582	PL-CORE-G7 3000-S35 L15 H1	Shipping carton box 40	375 mm x 263 mm x 38 mm	3.75 dm ³	807.00 g

The mentioned product code describes the smallest quantity unit which can be ordered. One shipping unit can contain one or more single products. When placing an order, for the quantity please enter single or multiples of a shipping unit.

References / Links

For Guarantee see

▶ www.osram.com/guarantee

Disclaimer

Subject to change without notice. Errors and omission excepted. Always make sure to use the most recent release.