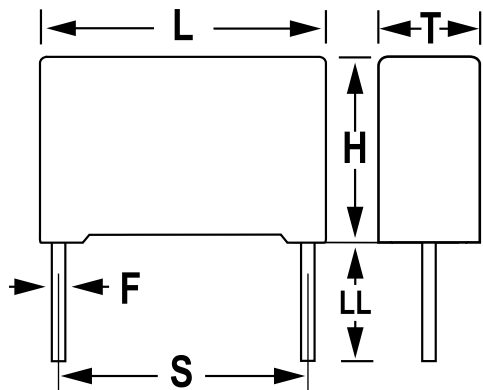


**KEMET Part Number: PHE845VR6470MR06L2**  
 (F845RK474M760C, PHE845VR6470MR02R06L2)

PHE845/F845, Film, Metallized Polypropylene, Safety, 0.47 uF, 20%, 760 VAC (X1), 1500 VDC, 105°C, Lead Spacing = 37.5mm



#### Dimensions

Dimension	Value
L	41mm MAX
H	32mm MAX
T	16.5mm MAX
S	37.5mm +/-0.5mm
LL	6mm -1mm
F	1mm NOM

#### Packaging Specifications

<b>Packaging:</b>	Bulk, Tray
<b>Packaging Quantity:</b>	105

#### General Information

<b>Supplier:</b>	KEMET
<b>Series:</b>	PHE845/F845
<b>Dielectric:</b>	Metallized Polypropylene
<b>Style:</b>	Radial
<b>Features:</b>	EMI Safety
<b>RoHS:</b>	Yes
<b>Lead:</b>	Wire Leads
<b>Qualifications:</b>	ENEC, UL, cUL

#### Specifications

<b>Capacitance:</b>	0.47 uF
<b>Capacitance Tolerance:</b>	20%
<b>Voltage AC:</b>	760 VAC (X1)
<b>Voltage DC:</b>	1500 VDC
<b>Temperature Range:</b>	-40/+105C
<b>Rated Temperature:</b>	105°C
<b>Dissipation Factor:</b>	0.10% 1kHz, 0.40% 10kHz
<b>Insulation Resistance:</b>	21.2766 GOhms
<b>Max dV/dt:</b>	100 V/us
<b>Safety Class:</b>	X1