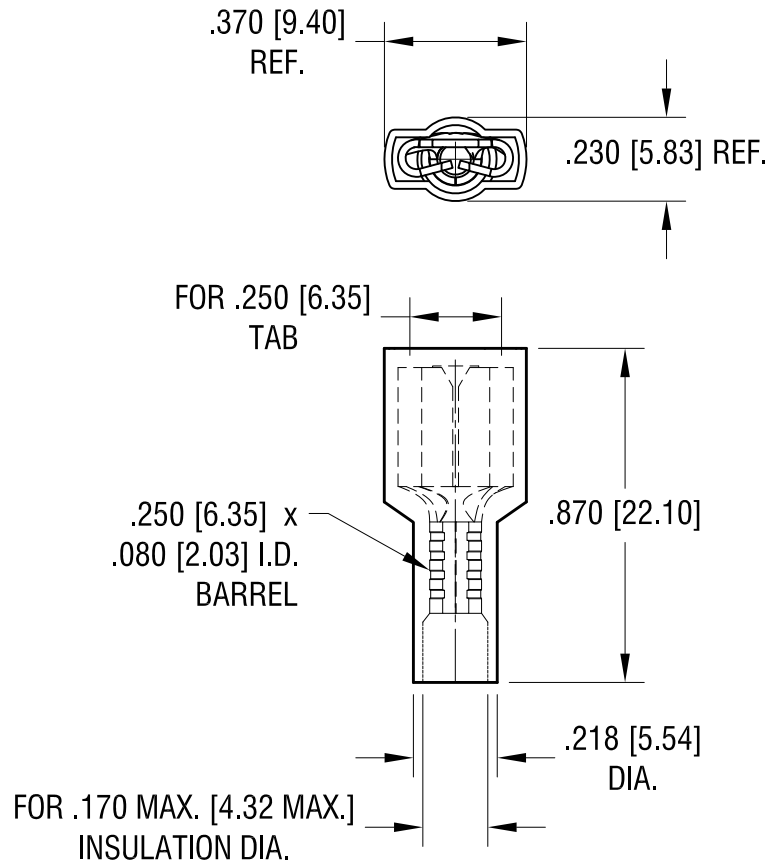
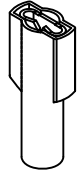


THIS DOCUMENT IS THE PROPERTY OF
KEYSTONE ELECTRONICS CORP. AND
SHALL NOT BE REPRODUCED, DISTRIBUTED
OR USED AS A BASIS FOR MANUFACTURE
WITHOUT PRIOR WRITTEN PERMISSION
FROM KEYSTONE ELECTRONICS CORP.

ACTUAL SIZE



NOTE:

1. TERMINAL: MATES WITH MALE TAB
.250 [6.35] x .032 [0.81] TH'K
MATERIAL: BRASS, TIN PLATE
INSULATOR: NYLON 6/6, BLUE
2. ACCOMMODATES WIRE RANGE 16/14 AWG

8.04.21	TERMINAL MAT'L WAS COPPER CHANGE AS PER ECN 21-078	B
12.29.14	CHANGE AS PER ECN 14-129	A
DATE	DESCRIPTION	REV.

KEYSTONE ELECTRONICS CORP.			
www.keyelco.com • NEW HYDE PARK, NY 11040 • Tel (516) 328-7500			
PART NAME FULLY INSULATED QUICK-FIT TERMINAL			
MATERIAL AS NOTED			
FINISH AS NOTED		DRN BY NT	DATE 6.02.09
		APP'D LN	SCALE 2X
TOLERANCES DECIMAL ANGULAR UNLESS OTHERWISE SPECIFIED	INCH [MM] ± .015 [± 0.38] ± 1°	CODE C	DWG NO. 8294

Mouser Electronics

Authorized Distributor

Click to View Pricing, Inventory, Delivery & Lifecycle Information:

[Keystone Electronics:](#)

[8294](#)