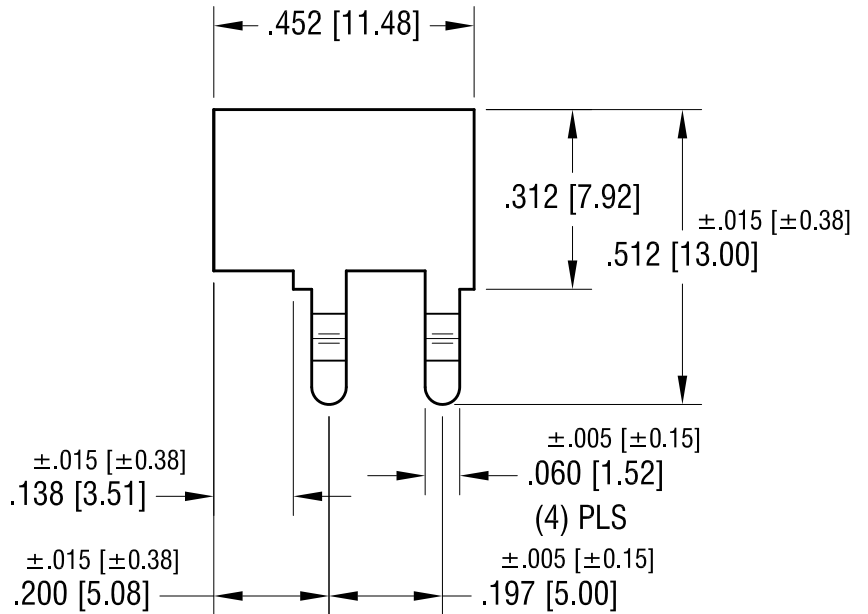
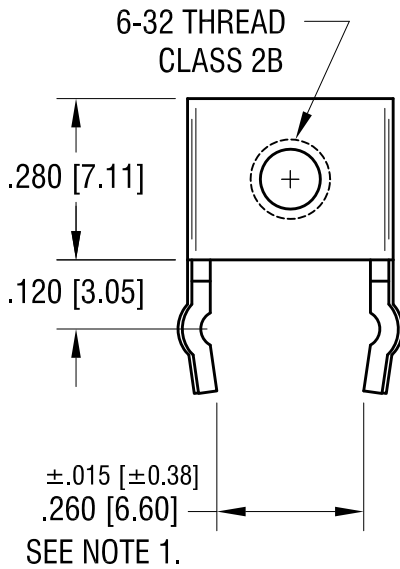
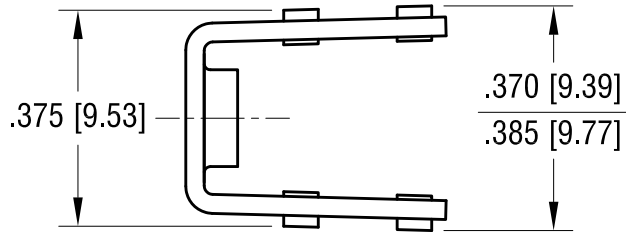
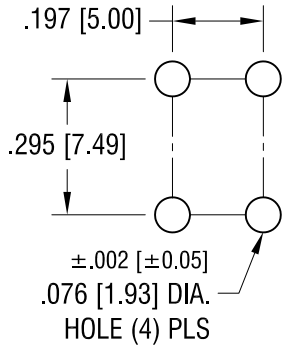


THIS DOCUMENT IS THE PROPERTY OF KEYSTONE ELECTRONICS CORP. AND SHALL NOT BE REPRODUCED, DISTRIBUTED OR USED AS A BASIS FOR MANUFACTURE WITHOUT PRIOR WRITTEN PERMISSION FROM KEYSTONE ELECTRONICS CORP.

MOUNTING DETAIL



NOTE:

1. .260 [6.60] ±.015 [±0.38] DIMENSION TO BE MEASURED AT END OF LEG, NOT AT SEATING PLANE.
2. TERMINAL:
MAT'L - .032 [0.81] TH'K BRASS, MATTE TIN PLATE
SCREW : ONE (1) 6-32 x 1/4 L., SUPPLIED LOOSE.
MAT'L - BRASS, NICKEL PLATE

PC SCREW TERMINAL WITH COLORED SCREW HEAD

PART NO.	HEAD COLOR	PART NO.	HEAD COLOR
7690-2	RED	7690-5	BLUE
7690-3	BLACK	7690-6	GREEN
7690-4	WHITE	7690-7	YELLOW

KEYSTONE ELECTRONICS CORP.

www.keyelco.com • ASTORIA, N.Y. 11105-2017 • Tel (718) 956-8900

PART NAME PC SCREW TERM. W/ COLORED SCREW HEAD			
MATERIAL AS NOTED			
FINISH AS NOTED		DRN BY BOONE	DATE 10.1.03
		APP'D LN	SCALE 3X
TOLERANCES DECIMAL ANGULAR	INCH [MM] ±.010 [±0.25] ± 1°	CODE C	DWG NO. 7690-2 - 7690-7
UNLESS OTHERWISE SPECIFIED			

7.08.09	CHANGE AS PER ECN 09-096	B
1.3.08	CHANGE AS PER ECN 08-020	A
DATE	DESCRIPTION	REV.

Mouser Electronics

Authorized Distributor

Click to View Pricing, Inventory, Delivery & Lifecycle Information:

[Keystone Electronics:](#)

[7690-6](#)