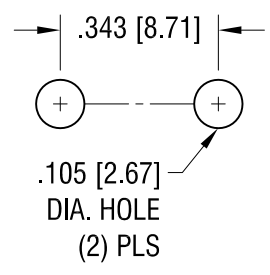
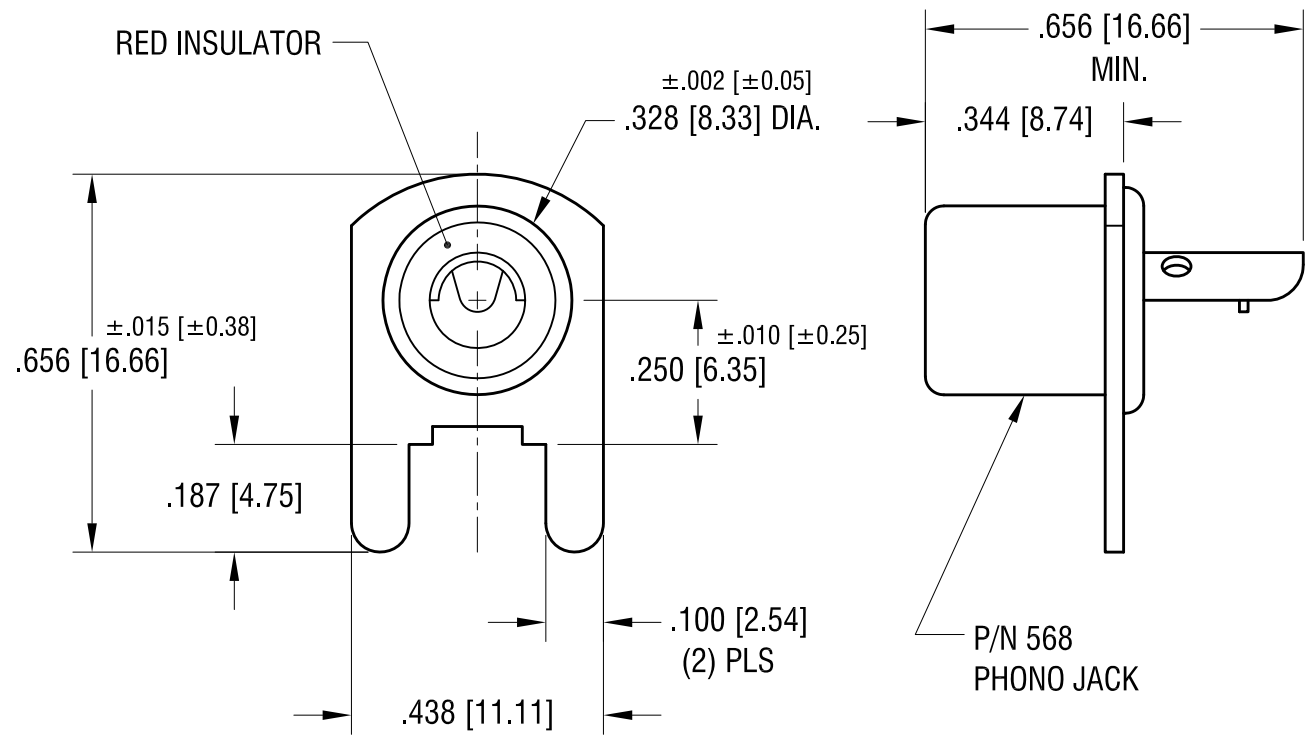


THIS DOCUMENT IS THE PROPERTY OF  
KEYSTONE ELECTRONICS CORP. AND  
SHALL NOT BE REPRODUCED, DISTRIBUTED  
OR USED AS A BASIS FOR MANUFACTURE  
WITHOUT PRIOR WRITTEN PERMISSION  
FROM KEYSTONE ELECTRONICS CORP.

MOUNTING DETAIL



ACTUAL SIZE



NOTES:

- 1. SHELL: MAT'L - STEEL
- CONTACT: MAT'L - BRASS
- BASE: MAT'L - .032 [0.81] TH'K STEEL

|   |                           |                   |            |
|---|---------------------------|-------------------|------------|
| <b>KEYSTONE ELECTRONICS CORP.</b>                               |                           |                   |            |
| www.keyelco.com • ASTORIA, N.Y. 11105-2017 • Tel (718) 956-8900 |                           |                   |            |
| PART NAME   |                           | 90° PC PHONO JACK |            |
| MATERIAL  |                           | AS NOTED          |            |
| FINISH  | TIN PLATE                 | DRN BY            | BOONE      |
|   |                           | APP'D             | LN         |
|   |                           | DATE              | 3.2.82     |
|   |                           | SCALE             | 3X         |
| TOLERANCES  | INCH [MM]                 | CODE              | DWG NO.    |
| DECIMAL   | $\pm .005$ [ $\pm 0.13$ ] | C                 | <b>571</b> |
| ANGULAR   | $\pm 1^\circ$             |                   |            |
| UNLESS OTHERWISE SPECIFIED                                      |                           |                   |            |

|         |                          |      |
|---------|--------------------------|------|
| 1.8.98  | CHANGE AS PER ECR 98-002 | B    |
| 3.25.87 | REVISED                  | A    |
| DATE    | DESCRIPTION              | REV. |

# Mouser Electronics

Authorized Distributor

Click to View Pricing, Inventory, Delivery & Lifecycle Information:

[Keystone Electronics:](#)

[571](#)