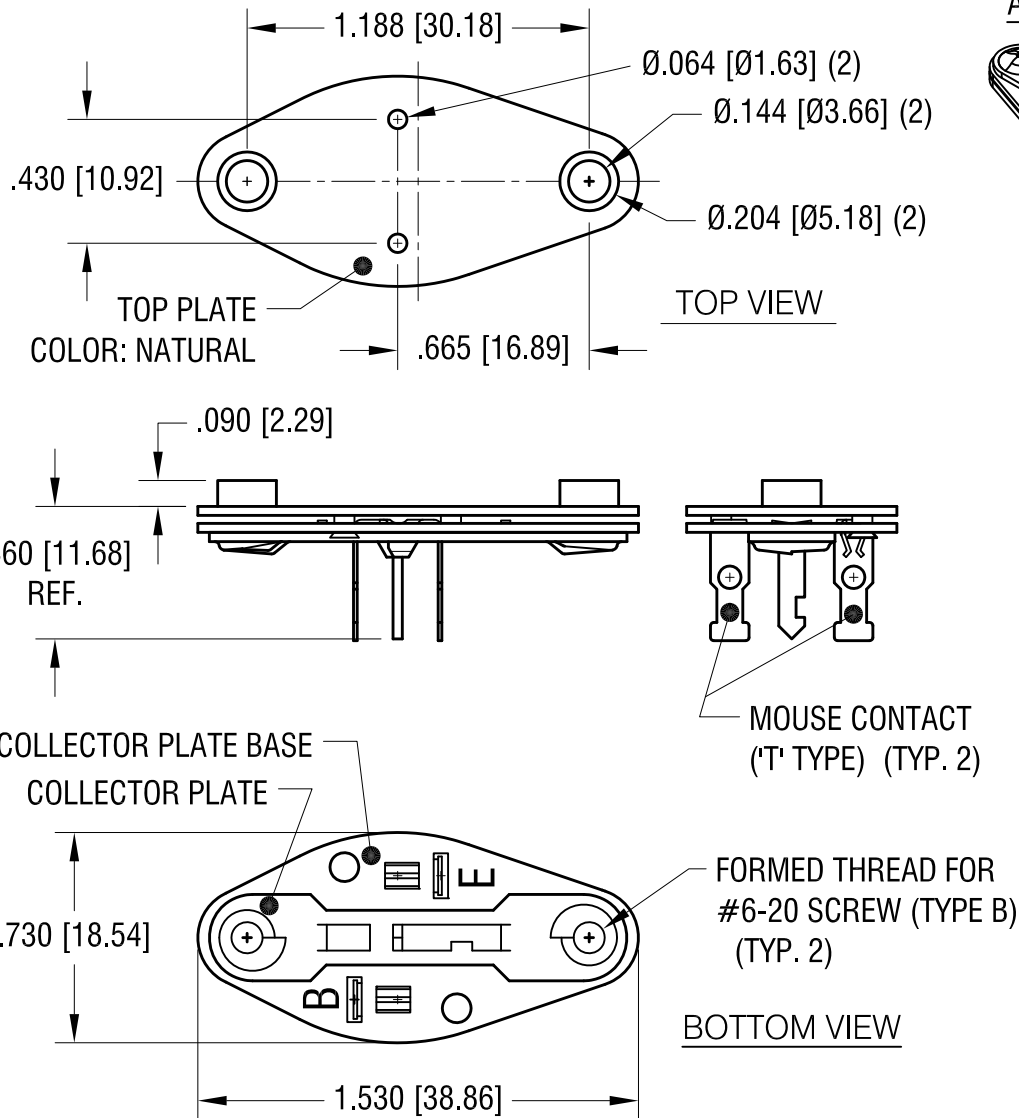


THIS DOCUMENT IS THE PROPERTY OF KEYSTONE ELECTRONICS CORP. AND SHALL NOT BE REPRODUCED, DISTRIBUTED OR USED AS A BASIS FOR MANUFACTURE WITHOUT PRIOR WRITTEN PERMISSION FROM KEYSTONE ELECTRONICS CORP.



NOTES:

TOP PLATE: COLOR - NATURAL
MAT'L - NYLON 6/6 UL 94V-2

COLLECTOR PLATE BASE:
MAT'L - .032 [0.81] TH'K PHENOLIC

COLLECTOR PLATE:
MAT'L - .032 [0.81] TH'K STEEL
FINISH - TIN PLATE

MOUSE CONTACT ('T' TYPE):
MAT'L - .013 [0.33] TH'K BRASS
FINISH - TIN PLATE

10.1.03	CHANGE AS PER ECN 03-071	A
DATE	DESCRIPTION	REV.

KEYSTONE ELECTRONICS CORP.			
www.keyelco.com • NEW HYDE PARK, NY 11040 • Tel (516) 328-7500			
PART NAME TO-3 POWER TRANSISTOR SOCKET			
MATERIAL AS NOTED			
FINISH AS NOTED		DRN BY BOONE	DATE 4.26.82
		APP'D LN	SCALE 1.5X
TOLERANCES	INCH [MM]	CODE	DWG NO.
DECIMAL	± .005 [± 0.13]	C	4601
ANGULAR	± 1°		
UNLESS OTHERWISE SPECIFIED			

Mouser Electronics

Authorized Distributor

Click to View Pricing, Inventory, Delivery & Lifecycle Information:

[Keystone Electronics:](#)

[4601](#)