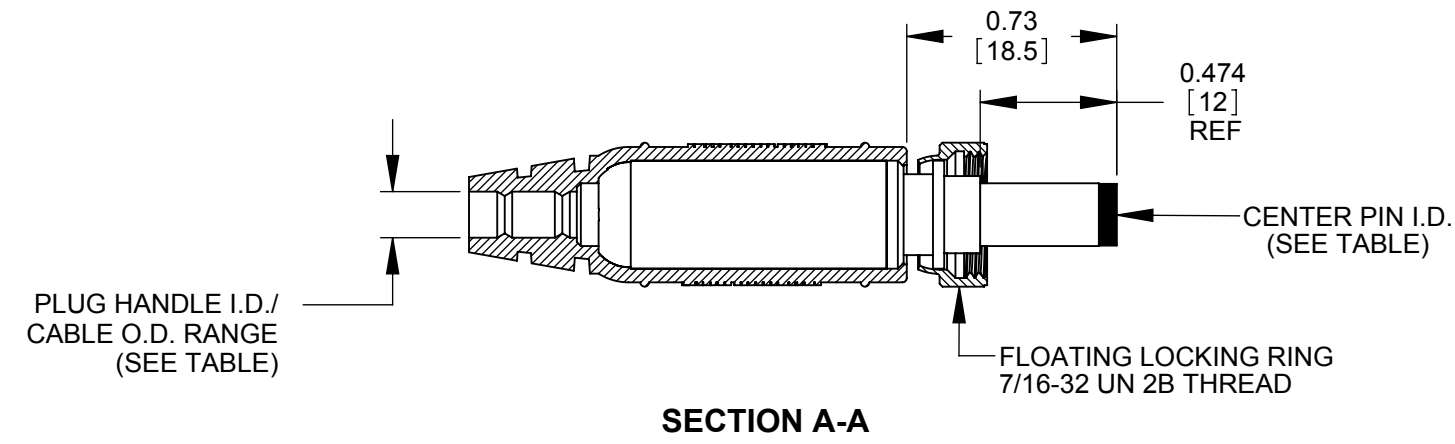
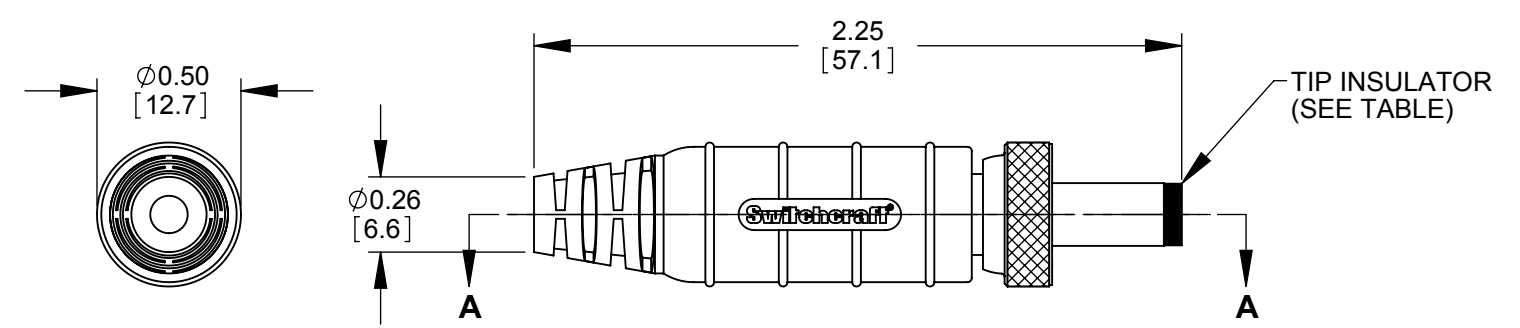


PART NUMBER	CENTER PIN I.D./ PLUG SIZE	TIP INSULATOR COLOR	CABLE NOMINAL O.D. RANGE	MATING POWER JACKS
761KS12	0.10 [2.5]	Black	0.125 - 0.150 [3.2 - 3.8mm]	L712AS, L712RAS, PCL712AS
761KS15		Black	0.150 - 0.175 [3.8 - 4.4mm]	
761KS17		Black	0.175 - 0.210 [4.4 - 5.1mm]	
S761KS12	0.08 [2.0]	White	0.125 - 0.150 [3.2 - 3.8mm]	L722AS, L722RAS, PCL722AS
S761KS15		White	0.150 - 0.175 [3.8 - 4.4mm]	
S761KS17		White	0.175 - 0.210 [4.4 - 5.1mm]	
767KS12	0.084 [2.1]	Red	0.125 - 0.150 [3.2 - 3.8mm]	
767KS15		Red	0.150 - 0.175 [3.8 - 4.4mm]	
767KS17		Red	0.175 - 0.210 [4.4 - 5.1mm]	



CUSTOMER DRAWING

NOTES:

- MATERIAL:
CONTACTORS, LOCKING RING - COPPER ALLOY, NICKEL PLATED
TERMINALS - COPPER ALLOY, TIN PLATED
INSULATORS - THERMOPLASTIC
PLUG HANDLE - THERMOPLASTIC RUBBER OVER THERMOPLASTIC, BLACK
- THIS PRODUCT IS RoHS COMPLIANT

REV	ECO NUMBER	DATE	BY	APVD
A	26591	8/6/10	RS	TJK
REVISIONS				

UNLESS OTHERWISE SPECIFIED

1. ALL DIMENSIONS IN INCHES

- TWO PLACE DECIMALS ± 0.02

- THREE PLACE DECIMALS ± 0.005

DO NOT SCALE DRAWING

THIS DRAWING DESCRIBES A DESIGN CONSIDERED PROPRIETARY IN NATURE, DEVELOPED AND MANUFACTURED BY SWITCHCRAFT INC. AND IS RELEASED ON A CONFIDENTIAL BASIS FOR IDENTIFICATION PURPOSES ONLY.										
SIZE	WIDTH	MULT	LBS/M	TEMPER						
FINISH					MATERIAL					
SPEC No.					SPEC No.					
FIRST USED ON				SCALE						
				1.5:1						
DATE DRAWN	BY	CHKD	APVD	Switchcraft®						
7/22/09	PNK	RS	TJK	SHEET 1 OF 1						
				8/6/10		8/6/10		PART No.		
NAME								REV		
SEALED POWER PLUGS, RoHS								761KS, 767KS, S761KS SERIES		A

Mouser Electronics

Authorized Distributor

Click to View Pricing, Inventory, Delivery & Lifecycle Information:

[Switchcraft:](#)

[761KS12](#) [761KS15](#) [761KS17](#) [767KS12](#) [767KS15](#) [767KS17](#) [S761KS12](#) [S761KS15](#) [S761KS17](#)