

DIMENSIONS IN INCHES (MILLIMETERS)
DO NOT SCALE DRAWING

Dwg. No.

CWR-180-XX-0203

NOTES:

1. Dimensions are in inches; dimensions in () are millimeters.
2. Metric equivalents are given for general information only, and are based upon 1.00 inches equals (25.4) millimeters.
3. Unless otherwise specified, tolerances are ± 0.005 (.13) for three place decimals, and ± 0.01 (.3) for two place decimals.

MATERIALS:

PLASTIC PARTS - UL94V-0 thermoplastic (blue, standard) flame retardant.

CONTACTS - Phosphor bronze.

CONTACT PLATING - .000100 (Min.) Tin Plating
All over .000050 (Min.) Nickel

OPERATING STANDARDS:

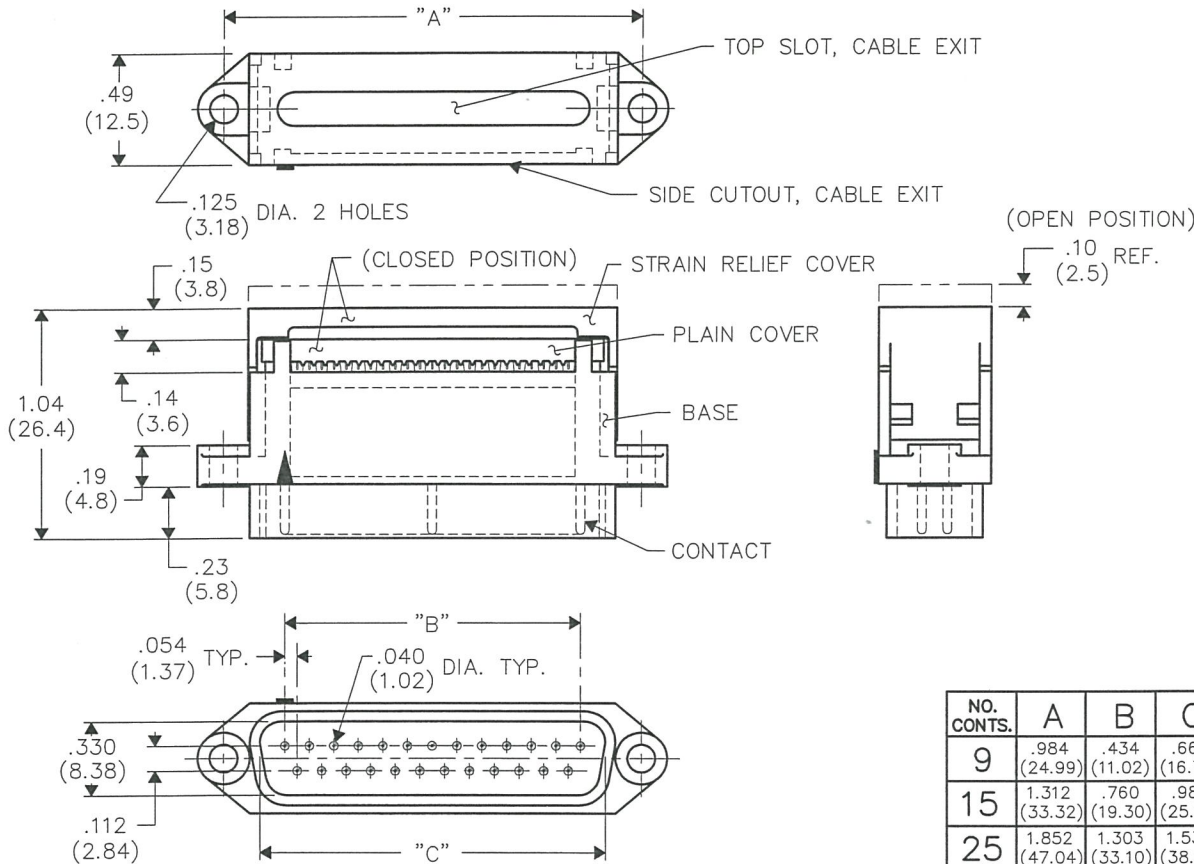
TEMPERATURE RATING - 120° C

CONTACT RATING - 1 ampere.

DIELECTRIC STRENGTH - Over 500V.D.C. at sea level.

CONDUCTORS ACCEPTED - 28-30 AWG solid or stranded.

INSULATION RESISTANCE - Greater than 5×10^9 ohms.



NO. CONTS.	A	B	C
9	.984 (24.99)	.434 (11.02)	.660 (16.76)
15	1.312 (33.32)	.760 (19.30)	.986 (25.04)
25	1.852 (47.04)	1.303 (33.10)	1.530 (38.86)
37	2.500 (63.50)	1.955 (49.66)	2.182 (55.42)

CUSTOMER DRAWING

FORM-B

REVISIONS

0	RELEASED DWG 9-18-2006 SEP 20 2006
---	--

ATTENTION
THIS DRAWING AND ITS ATTACHMENTS, IF ANY, ARE PROPRIETARY TO CW INDUSTRIES AND DESCRIBE DESIGNS THAT ARE CONFIDENTIAL AND MUST NOT BE DISCLOSED UNLESS AUTHORIZED, IN WRITING, BY AN OFFICER OF CW INDUSTRIES.....

CW INDUSTRIES
Southampton, Pa. 18966

Title: **PLASTIC "D" CONNECTOR (RECEPTACLE) MALE CONTACTS**

TOLERANCES UNLESS OTHERWISE SPECIFIED
2 Place decimal ± 0.010 METRIC
3 Place decimal ± 0.005 1 Place dec. $\pm .25$ mm
Angles $\pm 1^\circ$ 2 Place dec. $\pm .13$ mm

Made for: CW IND.

Division: **CONNECTOR**

Drawn by: DGW 9-18-2006

Dwg. No.

Checked by: G. Guld 9-19-06

CWR-180-XX-0203

Approval: A. Rayner 9-19-06

MASTER

Mouser Electronics

Authorized Distributor

Click to View Pricing, Inventory, Delivery & Lifecycle Information:

[CW Industries:](#)

[CWR-180-37-0203](#)