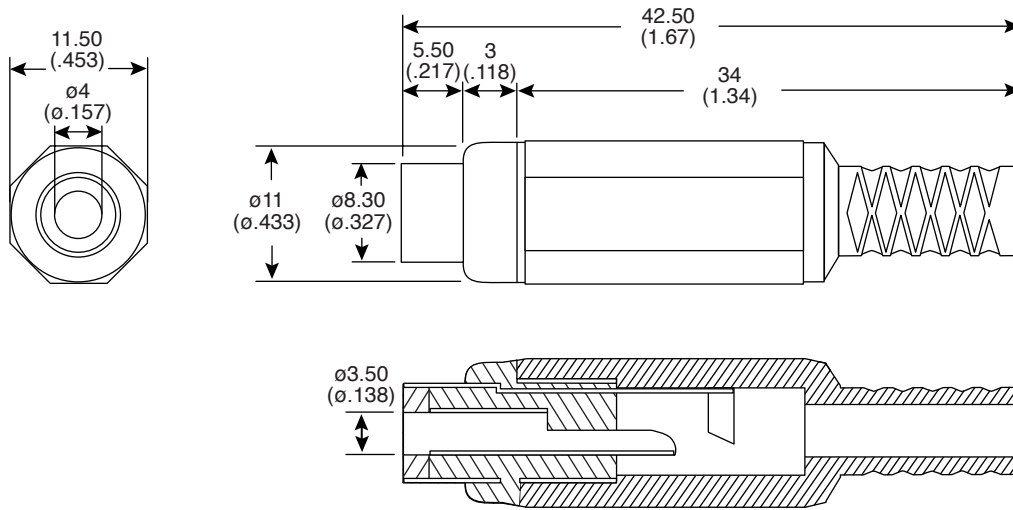


RCA Jacks



161-0151-E, 161-0152-E, 161-0153-E, 161-0154-E

RCA Jacks



Dimensions: mm (In)

MOUSER STOCK NO.	Color
161-0151-E	Red
161-0152-E	Black
161-0153-E	White
161-0154-E	Yellow

SPECIFICATIONS	
Center Contact:	Nickel Plated Brass
Housing:	PE
Insulator:	ABS
Contact Resistance:	30mΩ max.
Insulation Resistance:	100MΩ min. @ 500VDC
Dielectric Strength:	250VAC for 1 Minute
Insertion Force:	3N max.
Extraction Force:	0.1-3N
RoHS Compliant	

Date Last Revised: 12-22-05

Available from Mouser Electronics
 1-800-346-6873
 www.mouser.com

KC-300924

161-0151-E, 161-0152-E, 161-0153-E, 161-0154-E

Mouser Electronics

Authorized Distributor

Click to View Pricing, Inventory, Delivery & Lifecycle Information:

[Kobiconn:](#)

[161-0153-E](#) [161-0151-E](#) [161-0154-E](#) [161-0152-E](#)