

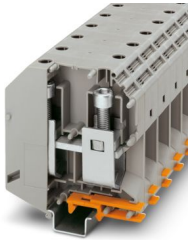
# UKH 150 - High-current terminal block



3010110

<https://www.phoenixcontact.com/us/products/3010110>

Please be informed that the data shown in this PDF document is generated from our online catalog. Please find the complete data in the user documentation. Our general terms of use for downloads are valid.



High-current terminal block, nom. voltage: 1000 V, nominal current: 309 A, number of connections: 2, connection method: Screw connection, Rated cross section: 150 mm<sup>2</sup>, cross section: 35 mm<sup>2</sup> - 150 mm<sup>2</sup>, mounting type: NS 35/15, NS 32, color: gray

## Your advantages

- Reliable cable connection is ensured by three-point centering of the conductor in the prismatic sleeve base
- Screw locking by means of spring-loaded elements in the clamping part
- Low contact resistance of the contact surface due to ribbing

## Commercial data

Item number	3010110
Packing unit	3 pc
Minimum order quantity	3 pc
Sales key	BE13
Product key	BE1311
Catalog page	Page 197 (C-1-2019)
GTIN	4017918091842
Weight per piece (including packing)	381.37 g
Weight per piece (excluding packing)	348.12 g
Customs tariff number	85369010
Country of origin	IN

# UKH 150 - High-current terminal block



3010110

<https://www.phoenixcontact.com/us/products/3010110>

## Technical data

### Notes

#### General

Note	For a reliable contact of multi stranded conductors it is recommended to untwist multi stranded conductors.
------	---

### Product properties

Product type	High current terminal block
Number of connections	2
Number of rows	1
Potentials	1

#### Insulation characteristics

Overvoltage category	III
Degree of pollution	3

### Electrical properties

Rated surge voltage	8 kV
Maximum power dissipation for nominal condition	9.55 W

### Connection data

Number of connections per level	2
Nominal cross section	150 mm <sup>2</sup>
Screw thread	M10
Note	Screws with hexagonal socket
Tightening torque	25 ... 30 Nm
Stripping length	40 mm
Internal cylindrical gage	B14
Connection in acc. with standard	IEC 60947-7-1
Conductor cross section rigid	35 mm <sup>2</sup> ... 150 mm <sup>2</sup>
Cross section AWG	1/0 ... 250 kcmil (converted acc. to IEC)
Conductor cross section flexible	50 mm <sup>2</sup> ... 150 mm <sup>2</sup>
Conductor cross section, flexible [AWG]	1/0 ... 250 kcmil (converted acc. to IEC)
Conductor cross-section flexible (ferrule without plastic sleeve)	50 mm <sup>2</sup> ... 150 mm <sup>2</sup>
Flexible conductor cross section (ferrule with plastic sleeve)	50 mm <sup>2</sup> ... 150 mm <sup>2</sup>
Cross-section with insertion bridge, rigid	150 mm <sup>2</sup>
Cross-section with insertion bridge, flexible	120 mm <sup>2</sup>
2 conductors with same cross section, solid	25 mm <sup>2</sup> ... 50 mm <sup>2</sup>
2 conductors with same cross section, flexible	35 mm <sup>2</sup> ... 50 mm <sup>2</sup>
2 conductors with same cross section, flexible, with ferrule without plastic sleeve	25 mm <sup>2</sup> ... 50 mm <sup>2</sup>
Nominal current	309 A
Maximum load current	309 A (with 150 mm <sup>2</sup> conductor cross section)

# UKH 150 - High-current terminal block



3010110

<https://www.phoenixcontact.com/us/products/3010110>

Nominal voltage	1000 V
Note	Note: Product releases, connection cross sections and notes on connecting aluminum cables can be found in the download area.
Nominal cross section	150 mm <sup>2</sup>

## Ex data

### Rated data (ATEX/IECEX)

Identification	⊕ II 2 GD Ex eb IIC Gb
Operating temperature range	-60 °C ... 110 °C
Ex-certified accessories	1201947 VDE-ISS 8
	1201659 E/AL-NS 32
	1201662 E/AL-NS 35
List of bridges	Insertion bridge / EB 2-31/UKH / 0201388
	Insertion bridge / EB 3-31/UKH / 0201391
Bridge data	195.5 A / 150 mm <sup>2</sup>
Ex temperature increase	40 K (281.5 A / 150 mm <sup>2</sup> )
Rated voltage	1100 V
at bridging with insertion bridge	880 V
Rated insulation voltage	1000 V
output	(Permanent)

### Ex level General

Rated current	256 A
Maximum load current	256 A
Contact resistance	0.06 mΩ

### Ex connection data General

Torque range	25 Nm ... 30 Nm
Nominal cross section	150 mm <sup>2</sup>
Rated cross section AWG	300 kcmil
Connection capacity rigid	35 mm <sup>2</sup> ... 150 mm <sup>2</sup>
Connection capacity AWG	2 ... 300 kcmil
Connection capacity flexible	50 mm <sup>2</sup> ... 150 mm <sup>2</sup>
Connection capacity AWG	1/0 ... 300 kcmil
2 conductors with same cross section, solid	25 mm <sup>2</sup> ... 50 mm <sup>2</sup>
2 conductors with the same cross-section AWG rigid	4 ... 1/0
2 conductors with same cross section, stranded	35 mm <sup>2</sup> ... 50 mm <sup>2</sup>
2 conductors with the same cross-section AWG flexible	2 ... 1/0

## Dimensions

Dimensional drawing	
---------------------	--

# UKH 150 - High-current terminal block



3010110

<https://www.phoenixcontact.com/us/products/3010110>

Width	31 mm
Height	100 mm
Depth	107.3 mm
Depth on NS 32	116 mm
Depth on NS 35/15	118.5 mm

## Material specifications

Color	gray
Flammability rating according to UL 94	V0
Insulating material group	I
Insulating material	PA
Static insulating material application in cold	-60 °C
Relative insulation material temperature index (Elec., UL 746 B)	130 °C
Fire protection for rail vehicles (DIN EN 45545-2) R22	HL 1 - HL 3
Fire protection for rail vehicles (DIN EN 45545-2) R23	HL 1 - HL 3
Fire protection for rail vehicles (DIN EN 45545-2) R24	HL 1 - HL 3
Fire protection for rail vehicles (DIN EN 45545-2) R26	HL 1 - HL 3
Surface flammability NFPA 130 (ASTM E 162)	passed
Specific optical density of smoke NFPA 130 (ASTM E 662)	passed
Smoke gas toxicity NFPA 130 (SMP 800C)	passed

## Electrical tests

### Surge voltage test

Result	Test passed
--------	-------------

### Temperature-rise test

Requirement temperature-rise test	Increase in temperature $\leq$ 45 K
Result	Test passed
Short-time withstand current 150 mm <sup>2</sup>	18 kA
Result	Test passed

### Power-frequency withstand voltage

Test voltage setpoint	2.2 kV
Result	Test passed

## Mechanical properties

### Mechanical data

Open side panel	No
-----------------	----

## Mechanical tests

### Mechanical strength

Result	Test passed
--------	-------------

### Attachment on the carrier

# UKH 150 - High-current terminal block



3010110

<https://www.phoenixcontact.com/us/products/3010110>

DIN rail/fixing support	NS 32/NS 35
Result	Test passed

## Test for conductor damage and slackening

Rotation speed	10 (+/- 2) rpm
Revolutions	135
Conductor cross section/weight	35 mm <sup>2</sup> / 6.8 kg
	50 mm <sup>2</sup> / 9.5 kg
	150 mm <sup>2</sup> / 15 kg
Result	Test passed

## Environmental and real-life conditions

### Needle-flame test

Time of exposure	30 s
Result	Test passed

### Oscillation/broadband noise

Specification	DIN EN 50155 (VDE 0115-200):2018-05
Spectrum	Service life test category 2, bogie-mounted
Frequency	$f_1 = 5 \text{ Hz}$ to $f_2 = 250 \text{ Hz}$
ASD level	6.12 (m/s <sup>2</sup> ) <sup>2</sup> /Hz
Acceleration	3.12g
Test duration per axis	5 h
Test directions	X-, Y- and Z-axis
Result	Test passed

### Shocks

Specification	DIN EN 50155 (VDE 0115-200):2018-05
Pulse shape	Half-sine
Acceleration	30g
Shock duration	18 ms
Number of shocks per direction	3
Test directions	X-, Y- and Z-axis (pos. and neg.)
Result	Test passed

### Ambient conditions

Ambient temperature (operation)	-60 °C ... 110 °C (Operating temperature range incl. self-heating; for max. short-term operating temperature, see RTI Elec.)
Ambient temperature (storage/transport)	-25 °C ... 60 °C (for a short time, no longer than 24 h, -60°C to +70°C)
Ambient temperature (assembly)	-5 °C ... 70 °C
Ambient temperature (actuation)	-5 °C ... 70 °C
Permissible humidity (operation)	20 % ... 90 %
Permissible humidity (storage/transport)	30 % ... 70 %

## Standards and regulations

# UKH 150 - High-current terminal block



3010110

<https://www.phoenixcontact.com/us/products/3010110>

Connection in acc. with standard	IEC 60947-7-1
----------------------------------	---------------

## Mounting

Mounting type	NS 35/15
	NS 32

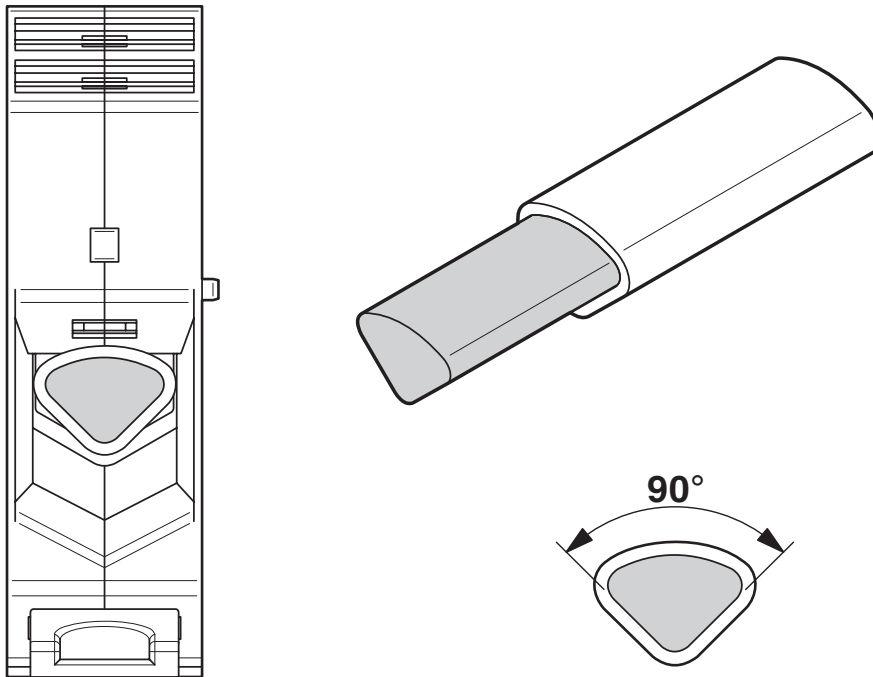
# UKH 150 - High-current terminal block

3010110

<https://www.phoenixcontact.com/us/products/3010110>

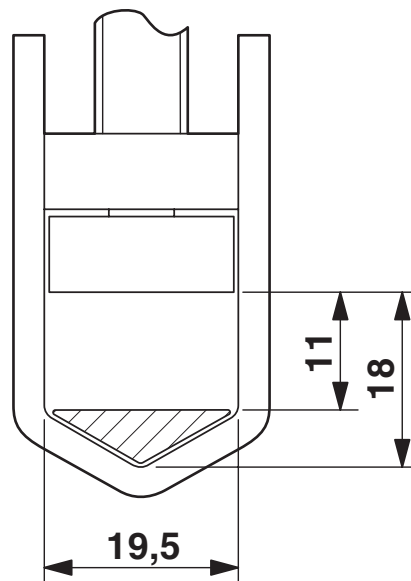
## Drawings

Schematic diagram



Connecting aluminum cables. Further notes can be found in the download area

Dimensional drawing



# UKH 150 - High-current terminal block

3010110

<https://www.phoenixcontact.com/us/products/3010110>



Circuit diagram





# UKH 150 - High-current terminal block



3010110

<https://www.phoenixcontact.com/us/products/3010110>

## Approvals

To download certificates, visit the product detail page: <https://www.phoenixcontact.com/us/products/3010110>

### DNV

Approval ID: TAE00001CT



### CSA

Approval ID: 13631

	Nominal voltage $U_N$	Nominal current $I_N$	Cross section AWG	Cross section $\text{mm}^2$
Use group B	600 V	275 A	2 - 300	-
Use group C	600 V	275 A	2 - 300	-



### EAC

Approval ID: RU C-DE.BL08.B.00534



### cULus Recognized

Approval ID: E60425

	Nominal voltage $U_N$	Nominal current $I_N$	Cross section AWG	Cross section $\text{mm}^2$
Use group B	600 V	285 A	2 - 300	-
Multi-conductor connection	600 V	285 A	4 - 1/0	-
Use group C	600 V	285 A	2 - 300	-
Multi-conductor connection	600 V	285 A	4 - 1/0	-



### ATEX

Approval ID: KEMA99ATEX8332U



### cUL Recognized

Approval ID: E192998

	Nominal voltage $U_N$	Nominal current $I_N$	Cross section AWG	Cross section $\text{mm}^2$
	600 V	285 A	2 - 300	-



### EAC Ex

Approval ID: RU C-DE.HA91.B.00066

# UKH 150 - High-current terminal block



3010110

<https://www.phoenixcontact.com/us/products/3010110>



**IECEX**

Approval ID: IECEX KEM 06.0030U



**UL Recognized**

Approval ID: E192998

	Nominal voltage $U_N$	Nominal current $I_N$	Cross section AWG	Cross section $\text{mm}^2$
	600 V	285 A	2 - 300	-



**CCC**

Approval ID: 2020322313000623



**UKCA-EX**

Approval ID: DEKRA 21UKEX0309U

**cULus Recognized**

# UKH 150 - High-current terminal block



3010110

<https://www.phoenixcontact.com/us/products/3010110>

## Classifications

### ECLASS

ECLASS-11.0	27141120
ECLASS-13.0	27250101

### ETIM

ETIM 9.0	EC000897
----------	----------

### UNSPSC

UNSPSC 21.0	39121400
-------------	----------

# UKH 150 - High-current terminal block



3010110

<https://www.phoenixcontact.com/us/products/3010110>

## Environmental product compliance

### EU RoHS

Fulfills EU RoHS substance requirements	Yes, No exemptions
---	--------------------

### China RoHS

Environment friendly use period (EFUP)	EFUP-E
	No hazardous substances above the limits

### EU REACH SVHC

REACH candidate substance (CAS No.)	No substance above 0.1 wt%
-------------------------------------	----------------------------

### EF3.0 Climate Change


CO2e kg	2.018 kg CO2e
---------	---------------

# UKH 150 - High-current terminal block

3010110

<https://www.phoenixcontact.com/us/products/3010110>

## Accessories

 Note: Applying some accessories below might limit this product.


### EB 3-31/UKH - Insertion bridge

0201391

<https://www.phoenixcontact.com/us/products/0201391>



Insertion bridge, pitch: 31 mm, number of positions: 3, color: gray

 Max. current carrying capacity: 232 A

---

### EB 2-31/UKH - Insertion bridge

0201388

<https://www.phoenixcontact.com/us/products/0201388>



Insertion bridge, pitch: 31 mm, number of positions: 2, color: gray

 Max. current carrying capacity: 232 A

# UKH 150 - High-current terminal block

3010110

<https://www.phoenixcontact.com/us/products/3010110>



## NS 32 PERF 2000MM-VPE 10 - DIN rail perforated

1201002

<https://www.phoenixcontact.com/us/products/1201002>



DIN rail perforated, Pack of 10 (20 m), acc. to EN 60715, material: Steel, galvanized, passivated with a thick layer, G profile, color: silver

---

## NS 32 UNPERF 2000MM-VPE 10 - DIN rail, unperforated

1201015

<https://www.phoenixcontact.com/us/products/1201015>



DIN rail, unperforated, Pack of 10 (20 m), acc. to EN 60715, material: Steel, galvanized, passivated with a thick layer, G profile, color: silver

# UKH 150 - High-current terminal block

3010110

<https://www.phoenixcontact.com/us/products/3010110>



## NS 35/15 PERF 2000MM - DIN rail perforated

1201730

<https://www.phoenixcontact.com/us/products/1201730>



DIN rail perforated, Pack of 25 (50 m), similar to EN 60715, material: Steel, galvanized, passivated with a thick layer, Standard profile, color: silver

---

## NS 35/15 UNPERF 2000MM - DIN rail, unperforated

1201714

<https://www.phoenixcontact.com/us/products/1201714>



DIN rail, unperforated, Pack of 25 (50 m), similar to EN 60715, material: Steel, galvanized, passivated with a thick layer, Standard profile, color: silver

# UKH 150 - High-current terminal block

3010110

<https://www.phoenixcontact.com/us/products/3010110>



## NS 35/15 WH PERF 2000MM - DIN rail perforated

0806602

<https://www.phoenixcontact.com/us/products/0806602>



DIN rail perforated, Pack of 25 (50 m), similar to EN 60715, material: Steel, Galvanized, white passivated, Standard profile, color: white

---

## NS 35/15 WH UNPERF 2000MM-VPE 10 - DIN rail, unperforated

1204135

<https://www.phoenixcontact.com/us/products/1204135>



DIN rail, unperforated, Pack of 10 (20 m), similar to EN 60715, material: Steel, Galvanized, white passivated, Standard profile, color: silver



# UKH 150 - High-current terminal block

3010110

<https://www.phoenixcontact.com/us/products/3010110>



## NS 35/15 AL UNPERF 2000MM - DIN rail, unperforated

1201756

<https://www.phoenixcontact.com/us/products/1201756>



DIN rail, unperforated, similar to EN 60715, material: Aluminum, uncoated, Standard profile, color: silver

---

## NS 35/15 ZN PERF 2000MM - DIN rail perforated

1206599

<https://www.phoenixcontact.com/us/products/1206599>



DIN rail perforated, Pack of 25 (50 m), similar to EN 60715, material: Steel, galvanized, Standard profile, color: silver

# UKH 150 - High-current terminal block

3010110

<https://www.phoenixcontact.com/us/products/3010110>



## NS 35/15 ZN UNPERF 2000MM - DIN rail, unperforated

1206586

<https://www.phoenixcontact.com/us/products/1206586>



DIN rail, unperforated, Pack of 25 (50 m), similar to EN 60715, material: Steel, galvanized, Standard profile, color: silver

---

## NS 35/15 CU UNPERF 2000MM-VPE 10 - DIN rail, unperforated

1201895

<https://www.phoenixcontact.com/us/products/1201895>



DIN rail, unperforated, Pack of 10 (20 m), similar to EN 60715, material: Copper, uncoated, Standard profile, color: copper-colored

# UKH 150 - High-current terminal block

3010110

<https://www.phoenixcontact.com/us/products/3010110>



## NS 35/15 CAP - End cap

1206573

<https://www.phoenixcontact.com/us/products/1206573>

DIN rail end piece, for DIN rail NS 35/15



---

## ZB 22:UNBEDRUCKT - Zack marker strip

0811862

<https://www.phoenixcontact.com/us/products/0811862>



Zack marker strip, Strip, white, unlabeled, can be labeled with: PLOTMARK, CMS-P1-PLOTTER, mounting type: snapped, for terminal block width: 22 mm, lettering field size: 10.5 x 21.8 mm, Number of individual labels: 4

# UKH 150 - High-current terminal block

3010110

<https://www.phoenixcontact.com/us/products/3010110>



## ZB 22 CUS - Zack marker strip

0824949

<https://www.phoenixcontact.com/us/products/0824949>



Zack marker strip, can be ordered: Strip, white, labeled according to customer specifications, mounting type: snap into tall marker groove, for terminal block width: 22 mm, lettering field size: 10.5 x 21.8 mm, Number of individual labels: 4

---

## ZB 22,LGS:L1-N,PE - Zack marker strip

0811875

<https://www.phoenixcontact.com/us/products/0811875>



Zack marker strip, Strip, white, labeled, printed horizontally: L1, L2, L3, N, PE, mounting type: snapped, for terminal block width: 22 mm, lettering field size: 10.5 x 21.8 mm, Number of individual labels: 50

# UKH 150 - High-current terminal block

3010110

<https://www.phoenixcontact.com/us/products/3010110>

## ZB 25:UNPRINTED - Zack marker strip

0802751

<https://www.phoenixcontact.com/us/products/0802751>



Zack marker strip, Strip, white, unlabeled, can be labeled with: PLOTMARK, CMS-P1-PLOTTER, Marker pen, mounting type: snapped, for terminal block width: 25 mm, lettering field size: 25 x 10 mm, Number of individual labels: 4

---

## ZB 25 CUS - Zack marker strip

0802752

<https://www.phoenixcontact.com/us/products/0802752>



Zack marker strip, can be ordered: Strip, white, labeled according to customer specifications, mounting type: snap into tall marker groove, for terminal block width: 25 mm, lettering field size: 25 x 10 mm, Number of individual labels: 4

# UKH 150 - High-current terminal block



3010110

<https://www.phoenixcontact.com/us/products/3010110>

## TMT 10 R - Marker for terminal blocks

0816210

<https://www.phoenixcontact.com/us/products/0816210>



Marker for terminal blocks, Roll, white, unlabeled, can be labeled with: THERMOMARK ROLL 2.0, THERMOMARK ROLL, THERMOMARK ROLL X1, THERMOMARK ROLLMASTER 300/600, THERMOMARK X1.2, THERMOMARK S1.1, perforated, mounting type: snapped, snap into flat marker groove, for terminal block width: 10.2 mm, lettering field size: 6.35 x 10.15 mm, Number of individual labels: 10000

---

## TMT 10 R CUS - Marker for terminal blocks

0824500

<https://www.phoenixcontact.com/us/products/0824500>



Marker for terminal blocks, can be ordered: by line, white, labeled according to customer specifications, mounting type: snap into universal marker groove, snap into flat marker groove, for terminal block width: 10.2 mm, lettering field size: 6.35 x 10.15 mm

# UKH 150 - High-current terminal block

3010110

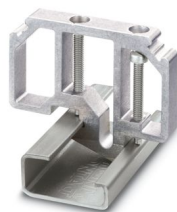
<https://www.phoenixcontact.com/us/products/3010110>



## E/AL-NS 32 - End bracket

1201659

<https://www.phoenixcontact.com/us/products/1201659>



End clamp, for end support of UKH 50 - UKH 240, is pushed onto DIN rail NS 32 and fixed with 2 screws, width: 10 mm, color: Aluminum

---

## E/AL-NS 35 - End bracket

1201662

<https://www.phoenixcontact.com/us/products/1201662>



End clamp, for end support of UKH 50 to UKH 240, is pushed onto DIN rail NS 35 and fixed with 2 screws, width: 10 mm, color: aluminum

# UKH 150 - High-current terminal block

3010110

<https://www.phoenixcontact.com/us/products/3010110>

## WS-2K - Warning label

1004513

<https://www.phoenixcontact.com/us/products/1004513>

Adhesive warning plate, self-adhesive, black print: lightning flash with mixed version - "Vorsicht Spannung - Attention Danger" size of label: 32 x 26 mm



---

## UKH 150/240 EP - Insertion profile

3009244

<https://www.phoenixcontact.com/us/products/3009244>

Insertion profile, color: silver





# UKH 150 - High-current terminal block

3010110

<https://www.phoenixcontact.com/us/products/3010110>



## AGK 10-UKH 150/240 - Pick-off terminal block

3003554

<https://www.phoenixcontact.com/us/products/3003554>



Pick-off terminal block, nom. voltage: 1000 V, nominal current: 57 A, number of connections: 1, connection method: Screw connection, Rated cross section: 10 mm<sup>2</sup>, cross section: 0.5 mm<sup>2</sup> - 10 mm<sup>2</sup>, mounting type: on base element, color: gray

## SF-THEX 8-200 - Screwdriver

1212643

<https://www.phoenixcontact.com/us/products/1212643>



T-handle screwdriver, for Allen screws, hexagonal (with chamfer), size: hex 8 x 200 mm, ergonomically shaped handle, matt chrome-plated

Phoenix Contact 2024 © - all rights reserved  
<https://www.phoenixcontact.com>

Phoenix Contact USA  
586 Fulling Mill Road  
Middletown, PA 17057, United States  
(+717) 944-1300  
[info@phoenixcon.com](mailto:info@phoenixcon.com)