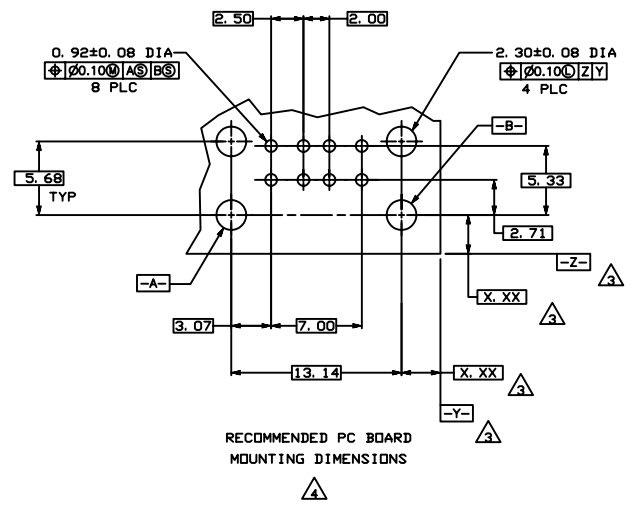
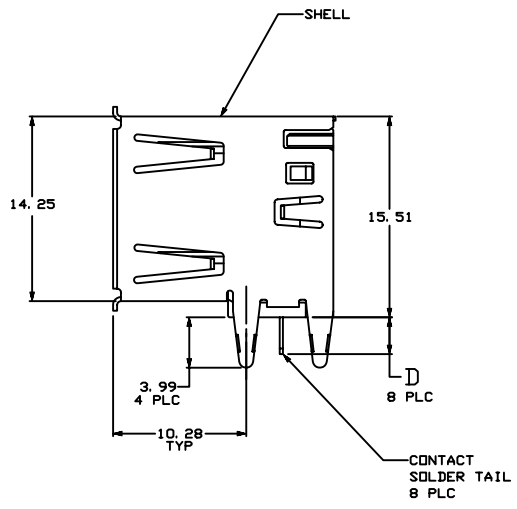
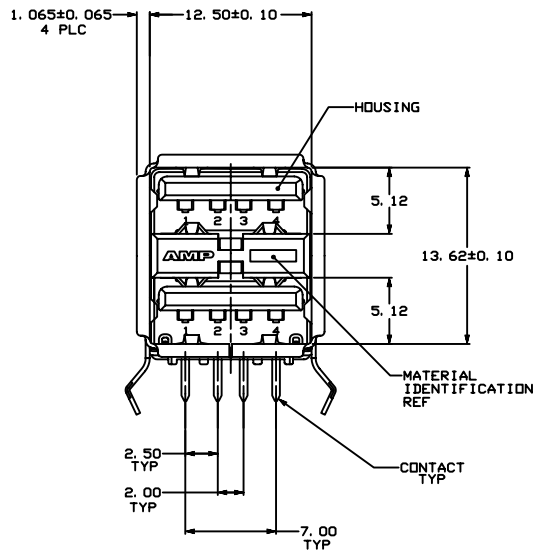


- △ MATERIAL:
SHELL & CONTACTS- COPPER ALLOY.
HOUSING- UL 94V-0 RATED, THERMOPLASTIC, SEE TABLE.
- △ PLATING:
CONTACTS- 0.076um MINIMUM GOLD OVER 0.76um MINIMUM PALLADIUM-NICKEL ON MATING AREA, OR CONTACT ALTRENATE PLATING 0.76um MINIMUM GOLD ON MATING AREA.
3.80um MINIMUM MATTE TIN ON SOLDER TAILS.
BOTH OVER 1.27um MINIMUM NICKEL.
SHELL: 2-5um MINIMUM BRIGHT TIN
- △ DATUM AND BASIC DIMENSIONS ESTABLISHED BY CUSTOMER.
- △ RECOMMENDED PC BOARD THICKNESS OF 1.57.
- △ PLATING:
CONTACTS- 0.127um MINIMUM GOLD ON MATING AREA,
3.80um MINIMUM MATTE TIN ON SOLDER TAILS.
ALL OVER .76um MINIMUM NICKEL ON ENTIRE CONTACT.
SHELL: 2-5um MINIMUM BRIGHT TIN
- △ PACKAGED IN TRAYS



△ 6	△ 6	△ 5	△ 2	NO	2.84±0.25	BLACK	5787617-7
△ 6	△ 6	△ 2	△ 2	YES	2.84±0.25	NATURAL	5787617-6
△ 6	△ 6	△ 2	△ 2	YES	2.29±0.25	BLACK	5787617-5
△ 6	△ 6	△ 2	△ 2	YES	2.84±0.25	BLACK	5787617-4
△ 6	△ 6	△ 2	△ 2	NO	2.84±0.25	NATURAL	5787617-3
△ 6	△ 6	△ 2	△ 2	NO	2.29±0.25	BLACK	5787617-2
△ 6	△ 6	△ 2	△ 2	NO	2.84±0.25	BLACK	5787617-1

THIS DRAWING IS A CONTROLLED DOCUMENT.		J. JIANG 12/29/04		TYO ELECTRONICS CORPORATION	
DIMENSIONS: mm		S. YAO 12/29/04		Shanghai, P.R.China, 200233	
TOLERANCES: mm		L. JIANG 12/29/04		RECEPTACLE ASSEMBLY, RIGHT ANGLE, STACKED, THRU-HOLE, USB LEAD FREE VERSION	
0 PLC ±		1 PLC ±0.1		SIZE: A1	
12 PLC ±0.15		15 PLC ±0.2		SCALE: 5:1	
20 PLC ±0.3		30 PLC ±0.5		SHEET: 1 of 1	
40 PLC ±0.7		60 PLC ±1.0		REV: A	
80 PLC ±1.5		120 PLC ±2.0			
150 PLC ±2.5		200 PLC ±3.0			
300 PLC ±4.0		600 PLC ±6.0			
CUSTOMER DRAWING		SEE CHART		PART NUMBER: 5787617	