

[Find by Feature](#)[Browse by Category](#)[Share](#)

Enter part number or keyword

Search Results (0)

Search Options

Select a product type to narrow your search:

Connector

Results with your selections: --

Family

Cavities

Gender

Sealed

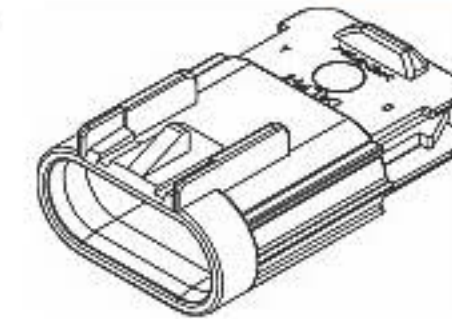
Terminal(s) blade size [mm]

Product Segment

Application

4 Way Black GT 150 Sealed Male Connector Assembly, Max Current 15 amps

Part #15487755

[Question about this product?](#)

Attributes

Documents (6)

Related Products (16)

Part #:	15487755
Description:	4 Way Black GT 150 Sealed Male Connector Assembly, Max Current 15 amps
Product Type:	Connector
Status:	Active
Family:	GT
Series:	1.5
Cavities:	4
Terminal(s) blade size [mm]:	1.5
Sealed:	Sealed
Gender:	Male
Temperature range [°C]:	-40 to 125
Material:	PBT
Weight [g]:	9.56
Color:	Black
ELV compliant:	Yes
RoHs compliant:	Yes

Certain products listed on this website may be subject to restricted usage or distribution or may not be available. For additional information, please contact your local sales office.