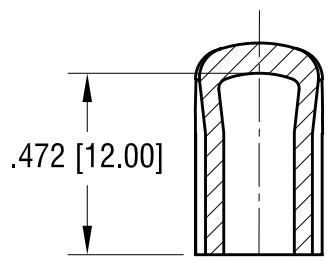
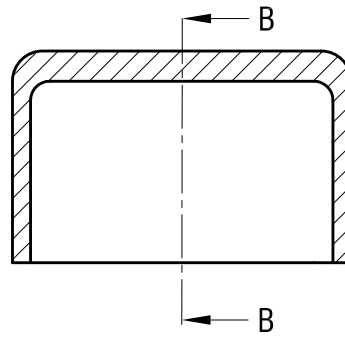


THIS DOCUMENT IS THE PROPERTY OF  
KEYSTONE ELECTRONICS CORP. AND  
SHALL NOT BE REPRODUCED, DISTRIBUTED  
OR USED AS A BASIS FOR MANUFACTURE  
WITHOUT PRIOR WRITTEN PERMISSION  
FROM KEYSTONE ELECTRONICS CORP.

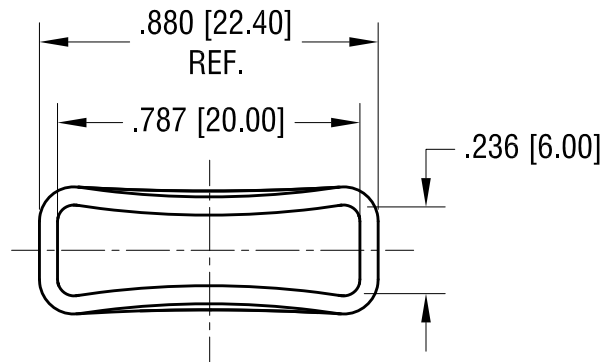
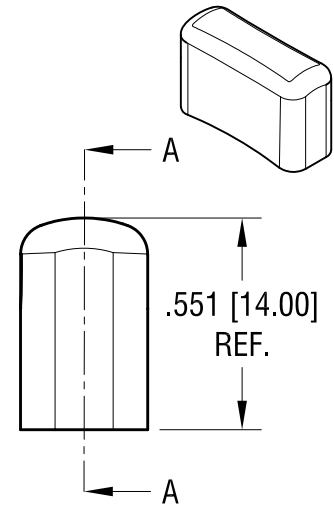
ACTUAL SIZE



SECTION B-B



SECTION A-A



**KEYSTONE ELECTRONICS CORP.**

www.keyelco.com • NEW HYDE PARK, NY 11040 • Tel (516) 328-7500

PART NAME

COVER FOR 4.6mm x 15mm FUSE BLOCK

MATERIAL

PVC ULV-0

FINISH

NONE

DRN BY

NT

DATE

12.03.10

APP'D

LN

SCALE

2X

1.10.18 CHANGE AS PER ECN 18-004

A

TOLERANCES

INCH [MM]

DECIMAL ± .039 [± 1.00]

CODE

DWG NO.

ANGULAR ± 1°

C

UNLESS OTHERWISE SPECIFIED

**3521C**

DATE

DESCRIPTION

REV.

# Mouser Electronics

Authorized Distributor

Click to View Pricing, Inventory, Delivery & Lifecycle Information:

[Keystone Electronics:](#)

[3521C](#)