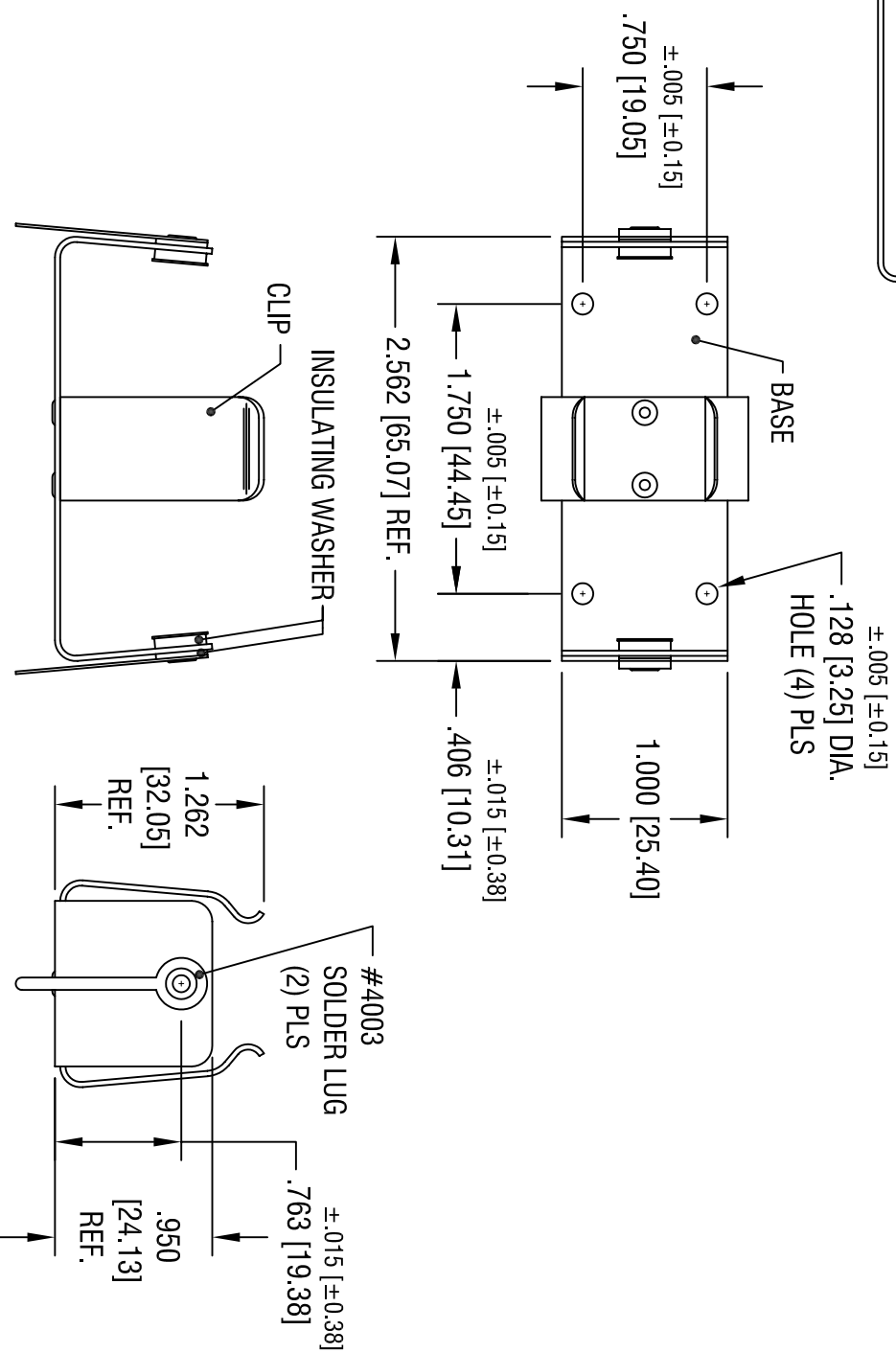
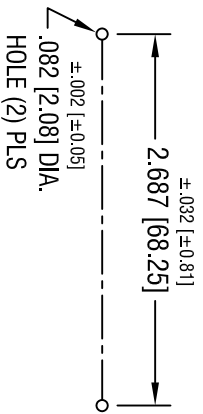


RECOMMENDED SPACING FOR PC LUGS



DATE

DESCRIPTION

REV.

NOTES:

1. BASE: MAT'L - .032 [.81] THK ALUMINUM
CLIP: MAT'L - .032 [.81] THK ALUMINUM
SOLDER LUG: MAT'L - BRASS
FINISH - TIN PLATE

KEYSTONE ELECTRONICS CORP.

ASTORIA, N.Y. 11105-2017

PART NAME

BATTERY HOLDER, (1) 'D' CELL

MATERIAL

AS NOTED

FINISH

AS NOTED

TOLERANCES	INCH	[MM]	CODE	DWG NO.
DECIMAL	± .010	[± 0.25]	C	
ANGULAR	± 1°			

THIS DOCUMENT IS THE PROPERTY OF KEYSTONE ELECTRONICS CORP. AND SHALL NOT BE REPRODUCED, DISTRIBUTED OR USED AS A BASIS FOR MANUFACTURE WITHOUT PRIOR WRITTEN PERMISSION FROM KEYSTONE ELECTRONICS CORP.

DRN BY: BOONE DATE: 6.22.07

App'D: LN SCALE: .9X

2226

Mouser Electronics

Authorized Distributor

Click to View Pricing, Inventory, Delivery & Lifecycle Information:

[Keystone Electronics:](#)

[2226](#)