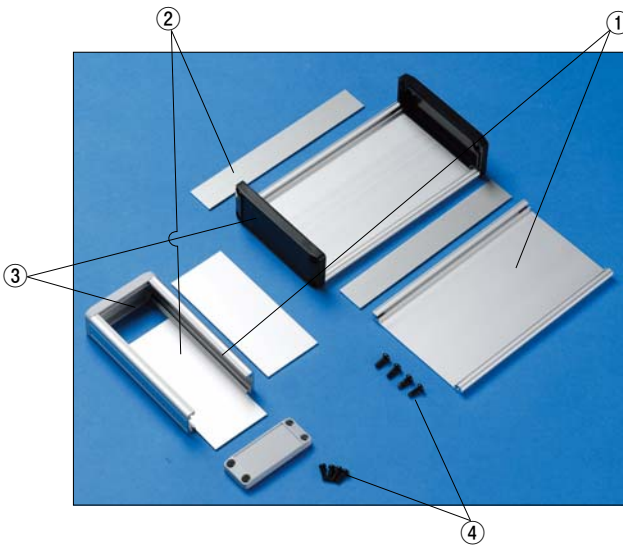
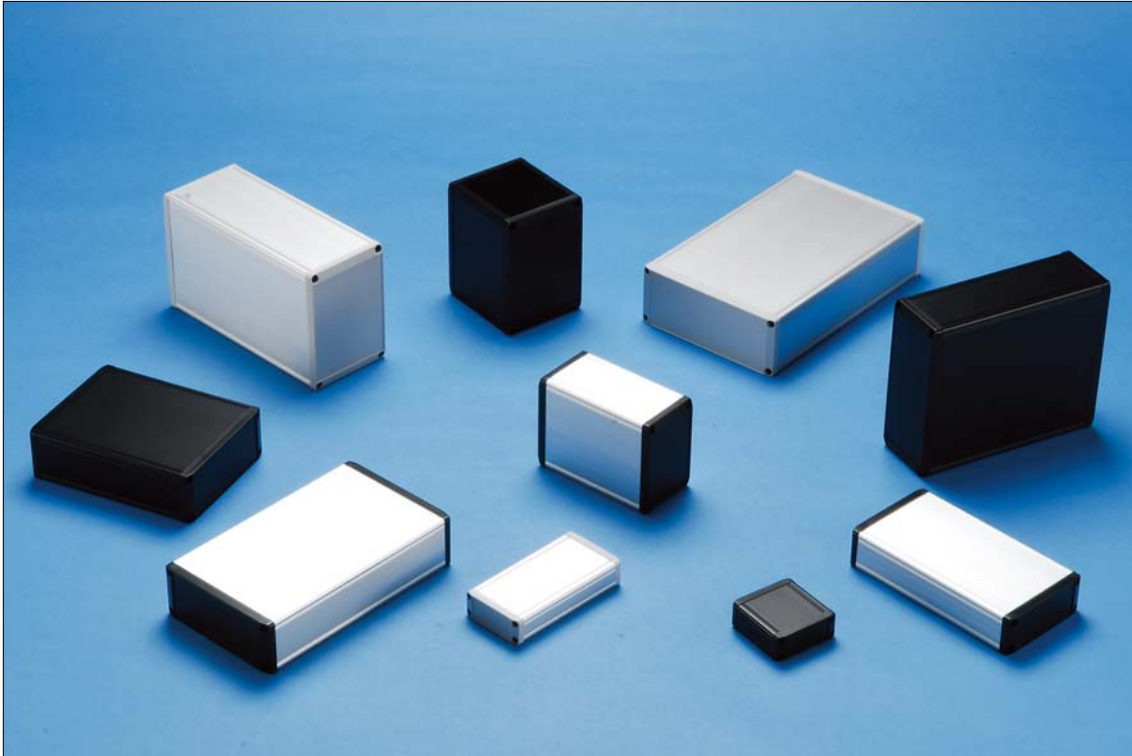


KC SERIES

KC SMALL ALUMINIUM ENCLOSURE



FEATURE

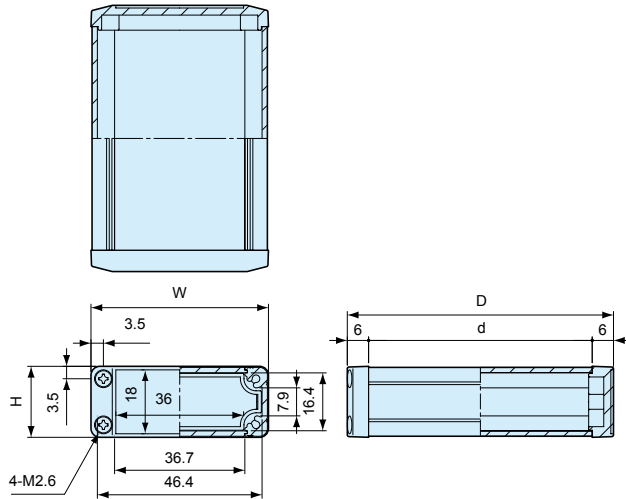
- Aluminium extrusion body with ABS plastic panel.
- Very light weight.
- Concaved panel (凹 0.75mm).
- Easy to assemble and hole milling.

Components

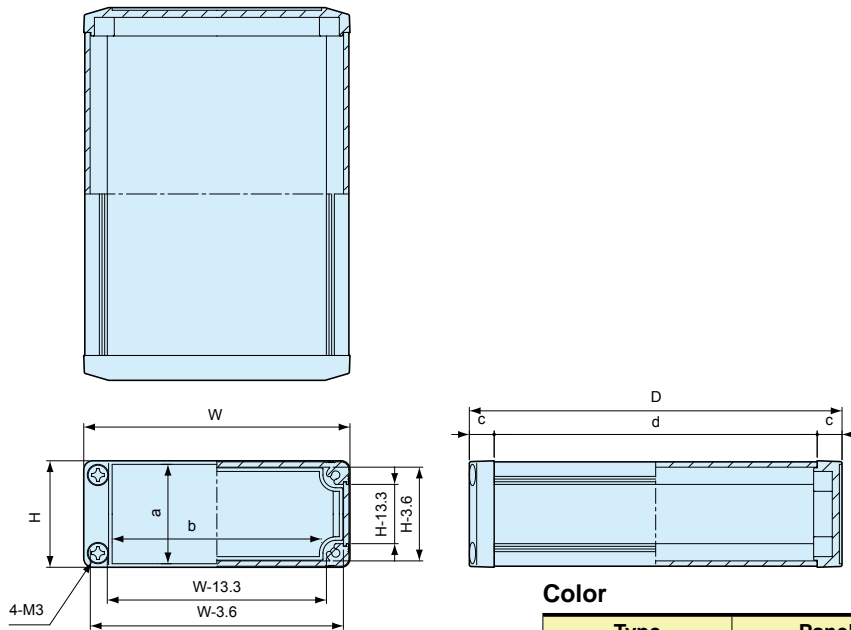
Ref. #	Part name	Pcs	Material	Color / Finish
1	Cover frame	2	Aluminium extrusion	Silver · Black anodized
2	Panel frame	2	Aluminium extrusion	Silver · Black anodized
3	Panel	2	ABS (UL94HB)	Light gray · Black
4	Screw	8	Steel M3 × 8 or M2.6 × 8	Black trivalent chromate

KC Dimensions

KC2-5-□ Series



- KC3-8-□ Series
- KC4-10-□ Series
- KC5-8-□ Series
- KC5-13-□ Series
- KC7-10-□ Series



Color

Type	Panel	Frame
GS	Light gray	Silver
BB	Black	Black
BS	Black	Silver

Part no. / dimensions

Part no.	H	W	D	a	b	c	d	Weight(g)
KC 2- 5- 5□	20	50	50	18	36	6	38	35
KC 2- 5- 8□	20	50	75	18	36	6	63	50
KC 2- 5-10□	20	50	100	18	36	6	88	65
KC 3- 8- 7□	30	75	70	28	59	7	56	75
KC 3- 8-10□	30	75	100	28	59	7	86	100
KC 3- 8-14□	30	75	140	28	59	7	126	140
KC 4-10- 8□	40	100	80	38	84	7	66	105
KC 4-10-13□	40	100	130	38	84	7	116	170
KC 4-10-17□	40	100	170	38	84	7	156	215
KC 5- 8- 7□	50	75	70	46	59	7	56	90
KC 5- 8-10□	50	75	100	46	59	7	86	125
KC 5- 8-14□	50	75	140	46	59	7	126	165
KC 5-13-10□	50	125	100	48	109	8	84	165
KC 5-13-15□	50	125	150	48	109	8	134	240
KC 5-13-20□	50	125	200	48	109	8	184	315
KC 7-10- 8□	70	100	80	66	84	7	66	140
KC 7-10-13□	70	100	130	66	84	7	116	215
KC 7-10-17□	70	100	170	66	84	7	156	275