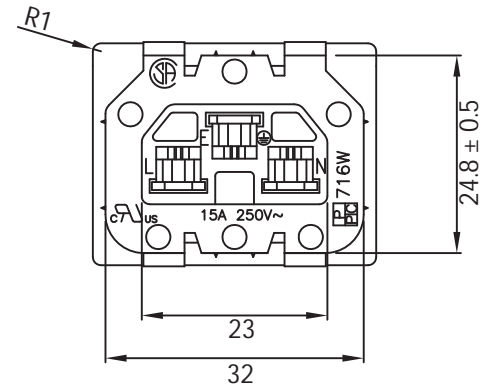
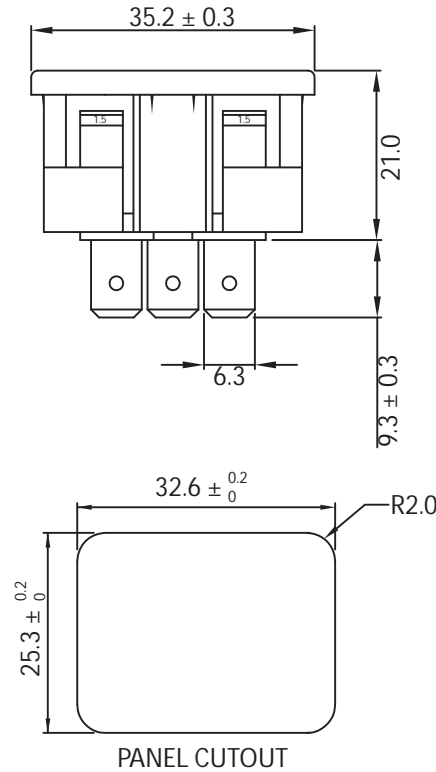
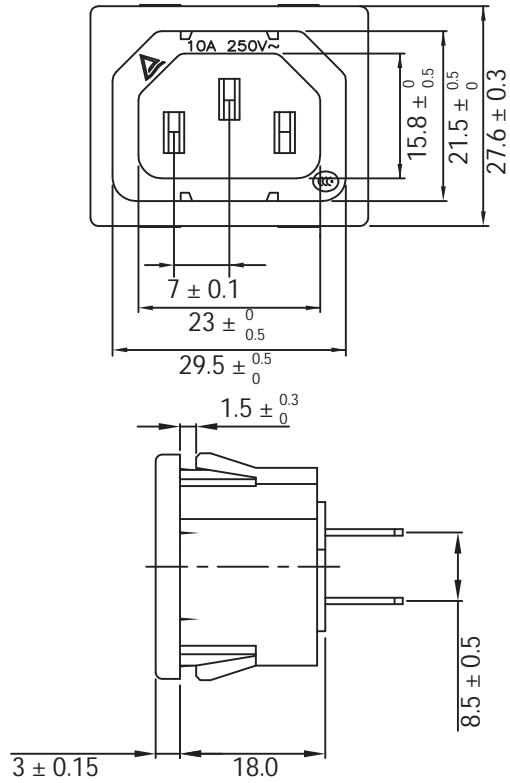


THESE DRAWINGS ARE THE PROPERTY OF QUALTEK ELECTRONICS AND NOT TO BE REPRODUCED FOR OR COMMUNICATED TO A THIRD PARTY WITHOUT THE EXPRESS WRITTEN PERMISSION OF AN OFFICER OF QUALTEK ELECTRONICS.

| REVISION | | | |
|----------|---------------------------------------|----------|----------|
| REV. | DESCRIPTION | DATE | APPROVED |
| B | RoHS Compliancy | 06-01-06 | DP |
| C | Updated Specifications | 08-29-08 | LY |
| D | Updated Specifications and Approvals | 08-28-09 | LY |
| E | Updated Terminal Length and Approvals | 11-18-15 | LY |
| F | Depth Change to meet UL 60320 | 12-04-18 | LY |
| G | Updated Terminal Length | 09-16-20 | LY |



NOTES:

MATERIAL:

HOUSING: PC BLACK COLOR
CONTACTS: BRASS, NICKEL PLATED

RATING:

UL, CSA: 15A 250V AC
TUV, CCC: 10A 250V AC
APPROVALS: UL, CSA, TUV, CCC
PANEL THICKNESS: 1.5mm
RoHS COMPLIANT

CONTROLLED

| Dim range (mm) | Tolerance +/- (mm) | Qualtek Electronics Corp. PPC DIVISION | | |
|----------------|--------------------|---|----------------|-----------------|
| | | Part Number: | 716W-15/15 | RoHS Compliant |
| 0-1 | 0.40 | Description: AC RECEPTACLE | | |
| 1-6 | 0.40 | | | |
| 6-18 | 0.50 | | UNIT: mm | REV. G |
| 18-50 | 0.50 | | | |
| 50-120 | 0.70 | Drawn / Date | Checked / Date | Approved / Date |
| 120-250 | 0.90 | B.ZHANG 10-01-02 | 10-01-02 | JJH / 10-01-02 |
| 250-500 | 1.20 | | | |

Mouser Electronics

Authorized Distributor

Click to View Pricing, Inventory, Delivery & Lifecycle Information:

[Qualtek:](#)

[716W-15/15](#)