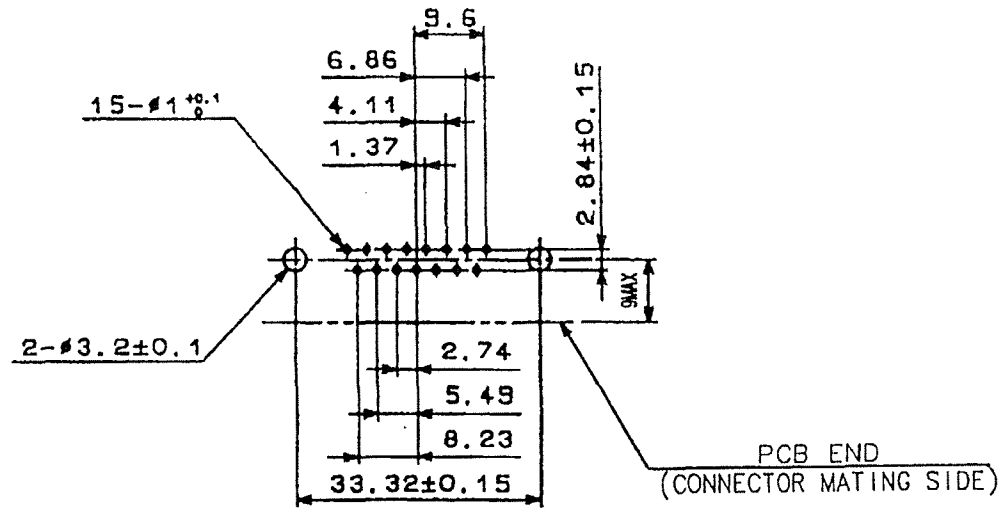
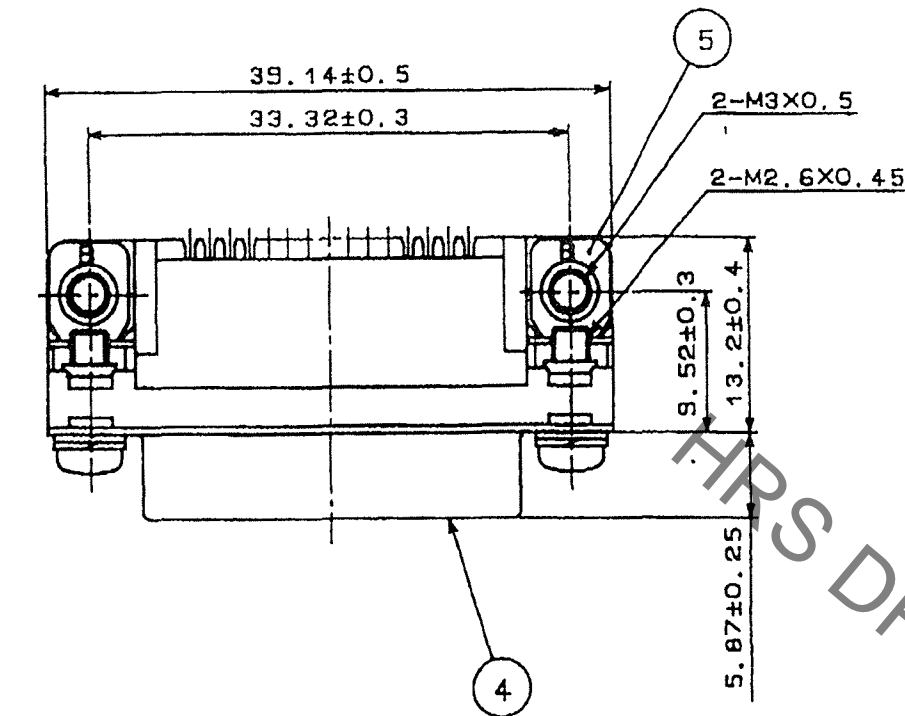


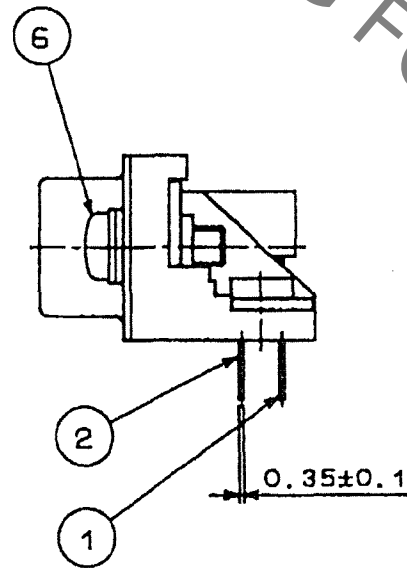
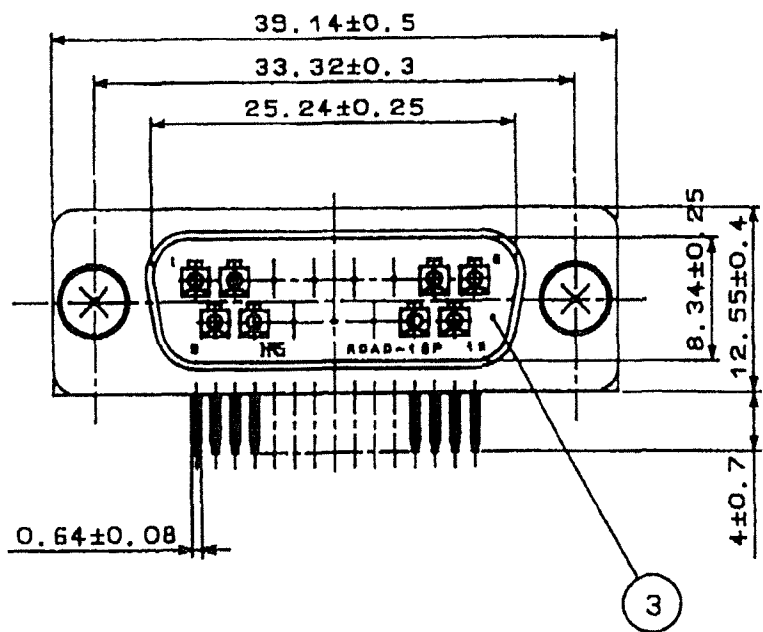
Aug.1.2020 Copyright 2020 HIROSE ELECTRIC CO., LTD. All Rights Reserved.
In case of consideration for using Automotive equipment / device which demand high reliability, kindly contact our sales window correspondents.

COUNT	DESCRIPTION OF REVISIONS	BY	CHKD	DATE	COUNT	DESCRIPTION OF REVISIONS	BY	CHKD	DATE
4	DIS-E-001215	Y.S	Y.E	07.02.22					



NOTE. PLEASE KEEP THE TOLERANCE TO LESS THAN ± 0.1 FOR THE DIMENSIONS WITHOUT TOLERANCE.

RECOMMENDED PC BOARD HOLE PATTERN
(SCALE 1:1)



3	PBT	UL94V-0(BLACK)	6	STEEL	NICKEL PLATING 0.8 μ m
1~2	PHOSPHOR BRONZE	CONTACT:GOLD PLATING 0.2 μ m DIP:GOLD PLATING 0.03 μ m UNDER:NICKEL PLATING 2 μ m	5	STEEL	NICKEL PLATING 2 μ m UNDER:COPPER PLATING 1 μ m
			4	STEEL	NICKEL PLATING 1 μ m UNDER:COPPER PLATING 5 μ m

NO.	MATERIAL	FINISH, REMARKS	NO.	MATERIAL	FINISH, REMARKS
3	PBT	UL94V-0(BLACK)	6	STEEL	NICKEL PLATING 0.8 μ m
1~2	PHOSPHOR BRONZE	CONTACT:GOLD PLATING 0.2 μ m DIP:GOLD PLATING 0.03 μ m UNDER:NICKEL PLATING 2 μ m	5	STEEL	NICKEL PLATING 2 μ m UNDER:COPPER PLATING 1 μ m
			4	STEEL	NICKEL PLATING 1 μ m UNDER:COPPER PLATING 5 μ m

CODE NO. (OLD)	CL	DRAWN	DESIGNED	CHECKED	APPROVED	RELEASED
		T.KAMEYA	T.KAMEYA	Y.ENAMI	H.MIWA	
		03.07.18	03.07.18	03.07.18	03.07.18	

SCALE	2 : 1	DRAWING NO.	EDC3-021971-02	PART NO.	RDAD-15P(55)
UNITS	mm	HIROSE ELECTRIC CO., LTD		CODE NO.	CL211-0496-8-55

TO
Q

Mouser Electronics

Authorized Distributor

Click to View Pricing, Inventory, Delivery & Lifecycle Information:

[Hirose Electric:](#)

[RDAD-15P\(55\)](#)