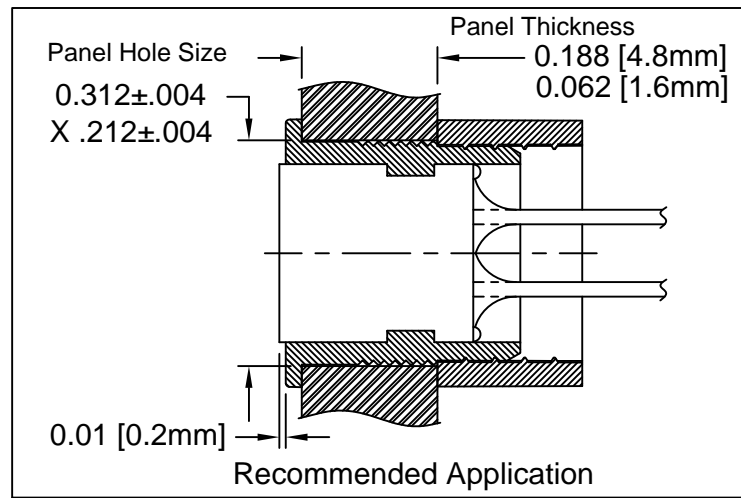
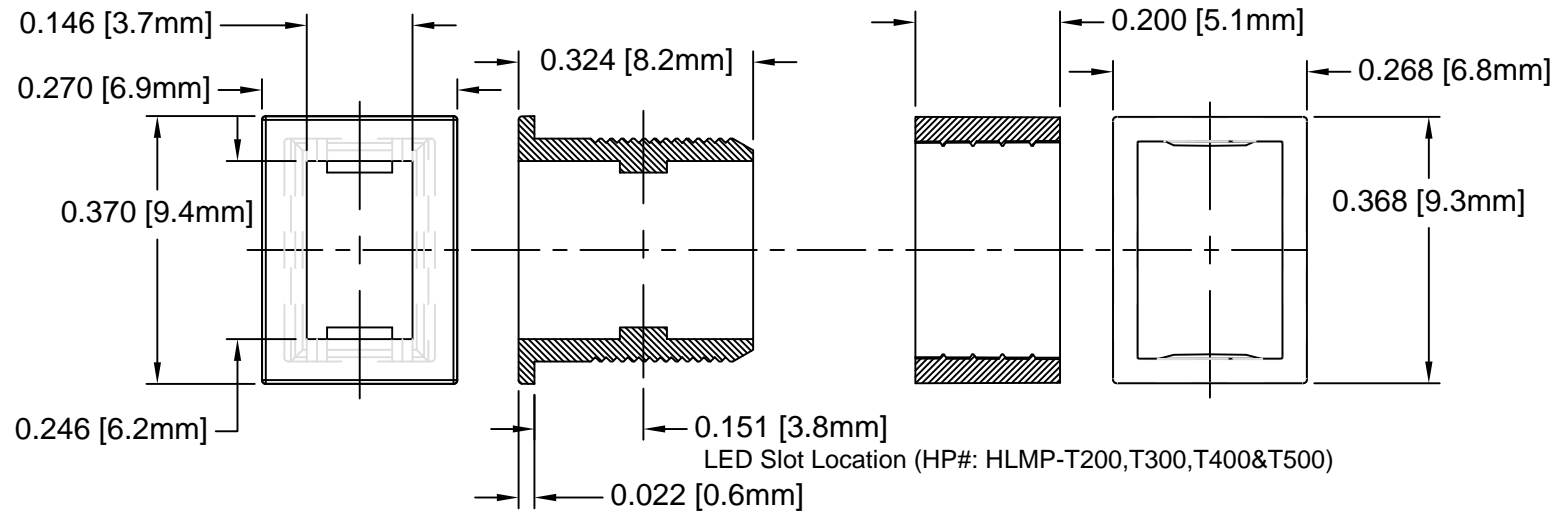


| REV. | DESCRIPTION | DATE | APPROVED |
|------|--------------------------------|----------|----------|
| C | Engineering Update w/o Changes | 02/26/04 | M. C. |
| D | Remove Material Code | 05/28/16 | J. C. |
| | | | |
| | | | |



2. MATERIAL: NYLON 6/6, 94V-2, BLACK.

1. GENERAL SPECIFICATIONS: BIVAR MOLDED COMPONENT SPECIFICATION BV00-E101.

| | | | |
|----------------------------------------------------|---------|----------------------------------------------------------------------------|-------------------------------------------------------|
| STANDARD TOLERANCE (UNLESS OTHERWISE SPECIFIED) | | 4 THOMAS, IRVINE, CA. 92618 TEL: (949) 951-8808 FAX: (949) 951-3974 | |
| DECIMALS | ANGULAR | | |
| .X ± .1 | X° ± 1° | | TITLE: CLIP & RING SET FOR RECTANGULAR LED |
| .XX ± .01 | | | DESIGNED: D. Green DATE: 11/13/02 |
| .XXX ± .005 | | CHECKED: M. Chen DATE: 11/13/02 | CAGE CODE : 32559 SHEET # 1 OF 1 |
| CAD GENERATED DOCUMENT. DO NOT MEASURE DRAWING. | | | |

Mouser Electronics

Authorized Distributor

Click to View Pricing, Inventory, Delivery & Lifecycle Information:

[BIVAR:](#)

[CR-300](#)