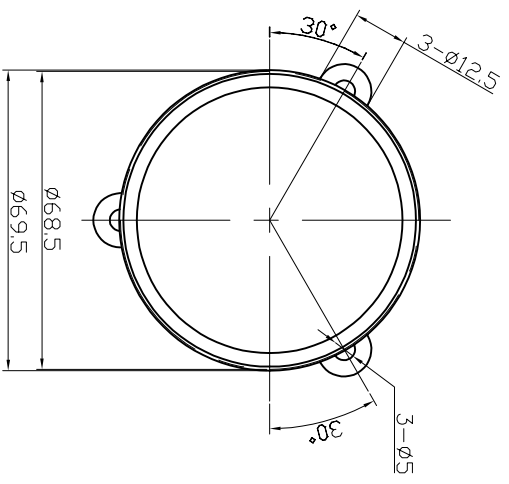
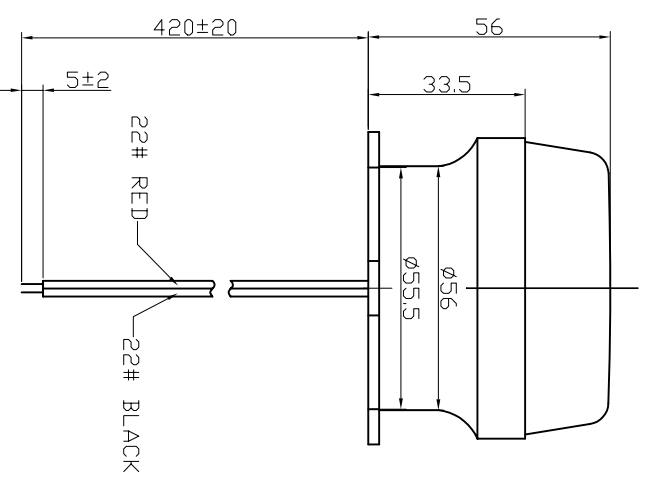


Specification

(Test Condition, 25°C)



- 1. Materials/Color Base: ABS/Black
..... Lens: Acrylic/Amber, Blue, Clear, Red
- 2. Rated Voltage 12VDC
- 3. Operating Voltage 8-15VDC
- 4. Max. Rated Current 150mA/12VDC
- 5. Rated Flash Times 110±15 Per Minute
- 6. Operating Life 500 Hours Continuous Duty At 12VDC
- 7. Operating Temperature Range -20 ~ +60°C
- 8. Wires Connection Red +12VDC
..... Black GND
- 9. Weight 90±5 g

No.	DESCRIPTION	APPROVED	DATE	KEPO NINGBO KEEP IMPROVING ELECTRONIC CO.,LTD http://www.chinaacoustic.com
FORBANGS IN USE		APPROVALS	DATE	
NOTED OTHERWISE		DRAWN		
XXX #		CHECKED		
XXX #		APPROVED	03.07.15	UNIT: mm
90° PROFILES				DWG NO: KP2.840.010
FIRST ANGLE PRODUCTION				SCALE: NOT TO SCALE
				SHEET: VER 1.1