



Polysnap®

With over 26,000 combinations Bulgin's Polysnap mains power inlet modules offer a very adaptable and flexible solution to panel design.

Polysnap allow combinations of mains inlets and outlets, filtered inlets, switches, fuseholders, voltage selectors and indicators mounted in either horizontal or vertical format bezels ready for quick snap-fit assembly. The compact design occupies the minimum of panel area and a single rectangular mounting hole, offering easy installation for this mains power entry module.

To complement Polysnap the Polyflange range offers a flange fixing alternative for designers who prefer the security of screw fixing.

All types and variations are available through Bulgin's extensive distribution network.

Type	Page
BZV Series	108-116
BZH Series	117-121
BZM Series	122
BVA & BVB Series	123-124
Filter Options	125-129

Components used in Polysnap® and Polyflange Power Inlet Modules

Note: Components are Approved Individually (where applicable). Please see individual component pages for full specifications.

IEC CONNECTORS, FUSEHOLDERS AND VOLTAGE SELECTORS

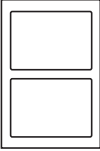
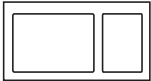
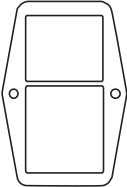
Type	Description	Rating	Approvals
DX0928	Neon Indicator	110V or 250V a.c./d.c. working	
FX0359	5 x 20mm Fuseholder	Max. rating 10A. 250V See Page 150	
PF0011	C14 Power Inlet with Integral 5 x 20mm Fuseholder	Max. rating 10A. 250V a.c. See Page 81	
PF0033	C14 Power Inlet with Integral twin 5 x 20mm Fuseholder	Max. rating 10A. 250V a.c. See Page 82	
PX0575	C14 Power Inlet, Cold condition	Max. rating 10A. 250V a.c. See Page 77	
PX0595	C16 Power Inlet, Hot Condition	Max. rating 10A. 250V a.c. See Page 83	
PX0695	Sheet F Power Outlet	Max. rating 10A. 250V a.c. See Page 90	
PX0783	Sheet F Shuttered Power Outlet	Max. rating 10A. 250V a.c. See Page 91	
PX0598	C20 Power Inlet	Max. rating 16A, 250V a.c. See Page 93	
VS0001	Voltage Selector marked 120/240V	Max. rating 6.3A. 120/240V a.c. See Page 196	

SWITCHES, INDICATORS AND CIRCUIT BREAKERS

No Poles	Illumination	Current Ratings	Circuit	Approvals
Single Pole	Non-illuminated High Inrush	Max. rating 16A Resistive, 4A Inductive, 250Vac. Max. rating 16A Resistive, 4A Inductive, 250Vac. Inrush current, 150A to IEC65.		
	Illuminated	Max. rating 16A Resistive, 4A Inductive, 250Vac.		
Double Pole	Non-illuminated High Inrush	Max. rating 16A Resistive, 4A Inductive, 250Vac. Max. rating 16A Resistive, 4A Inductive, 250Vac. Inrush current, 150A to IEC65.		
	Illuminated	Max. rating 16A Resistive, 4A Inductive, 250Vac. 250Vac Neon.		
For Mini Bezel:				
Single Pole	Non-illuminated	Max. rating 10A Resistive, 4A Inductive, 250Vac.		
	Illuminated	Max. rating 10A Resistive, 4A Inductive, 250Vac. 250Vac Neon.		
Double Pole	Non-illuminated	Max. rating 10A Resistive, 4A Inductive, 250Vac.		
	High Inrush	Max. rating 10A Resistive, 4A Inductive, 250Vac. Inrush current, 85A to EN61058-1.		
	Illuminated	Max. rating 10A Resistive, 4A Inductive, 250Vac. 250Vac Neon.		
Indicator		250Vac neon lamp connected internally to terminals.		

RoHS Polysnap and Polyflange range and all components are compliant

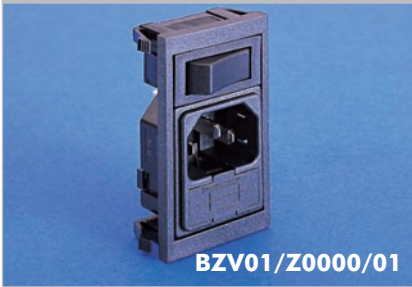
OVERVIEW OF POLY SNAP MODULES

Style	INLETS				OUTLETS	INLET/OUTLET COMBINATIONS	
	C14	C14 Fused	C16	C20	Sheet F	C14	C14 Fused
Snap to Panel - Vertical 	With SP switch Page 110 With other components Pages 111, 112, 113	With SP switch Page 108 With DP Switch Page 109	With SP switch Page 110 With other components Pages 111, 112, 113	With SP switch Page 114	With SP switch Page 116	With other components Page 115	
Snap to Panel - Horizontal 	Mini Bezel With SP Switch Page 122 Mini Bezel With DP Switch Page 122	With SP switch Page 117 With DP Switch Page 118				With SP switch Page 119	With DP switch Page 120 No additional components Page 121
Flange Mount - Vertical 		With SP switch Page 123 With DP switch Page 124					

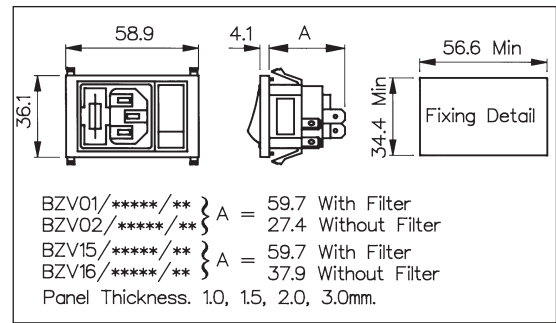
IEC CONNECTORS

C14 IEC Fused Inlet - Vertical

VERTICAL MODULE ARRANGEMENT



- Fused Inlet with 2.8mm or 6.3mm tags
- Single Pole Switch Variations
- Filtered Inlet Option
- Options of I/O marked switches



How to Order

BZV xx / xxxxx / xx

Type of Inlet / Outlet

Single Fused C14 Power Inlet (cold condition), 6.3 or 2.8mm tabs:

- 01** = PF0011/63
- 02** = PF0011/28

Twin Fused C14 Power Inlet (cold condition), 6.3 or 2.8mm tabs:

- 15** = PF0033/63
- 16** = PF0033/28

Filtered or Non Filtered Inlet

- Z0000 = Non Filtered
- Axxxx = Standard
- Bxxxx = Medical (Twin Fuse Version only)

For Filtered inlet use 6th to 9th characters from filter ordering code see pages 127-129.

E.g. BZV01/**A0620**/01

Combination of Other Components

Single Pole Switch:

- 01** = S.P. Switch

Single Pole Neon Switch:

- 02** = S.P. Red Neon Switch
- 08** = S.P. Green Neon Switch

Neon Indicator:

- 03** = Red Neon Indicator

Single Pole High Inrush Switch:

- 46** = S.P. High Inrush Switch

Single Pole Switch Marked I/O:

- 69** = S.P. Switch (I/O)

Single Pole Neon Switch Marked (I/O):

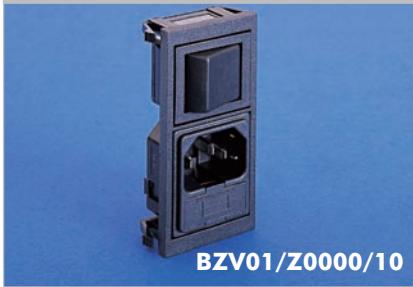
- 71** = S.P. Red Neon Switch (I/O)
- 74** = S.P. Green Neon Switch (I/O)

Single Pole High Inrush Switch Marked (I/O):

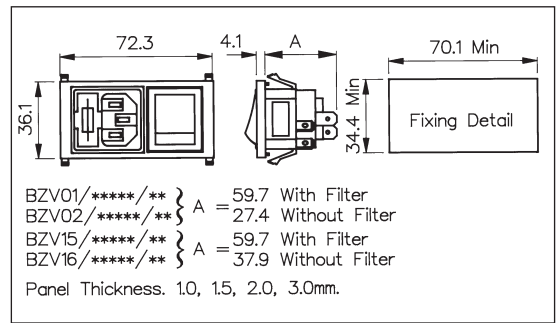
- 98** = S.P. High Inrush Switch (I/O)

Note: For technical details of individual components please see page 106

VERTICAL MODULE ARRANGEMENT

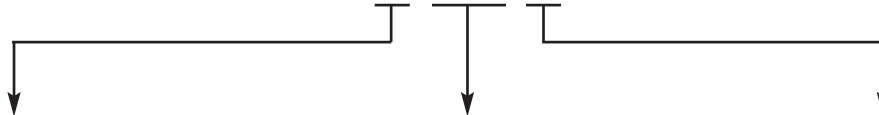


- Fused Inlet with 2.8mm or 6.3mm tags
- Double Pole Switch or Indicator Variations
- Filtered Inlet Option
- Options of I/O marked switches



How to Order

BZV xx / xxxxx / xx



Type of Inlet / Outlet	Filtered or Non Filtered Inlet	Combination of Other Components
Single Fused C14 Power Inlet (cold condition), 6.3 or 2.8mm tabs: 01 = PF0011/63 02 = PF0011/28 Twin Fused C14 Power Inlet (cold condition), 6.3 or 2.8mm tabs: 15 = PF0033/63 16 = PF0033/28	Z0000 = Non Filtered Axxxx = Standard Bxxxx = Medical (Twin Fuse Version only) <div style="border: 1px solid black; padding: 5px; margin-top: 20px;"> For Filtered inlet use 6th to 9th characters from filter ordering code see pages 127-129. E.g. BZV01/A0620/10 </div>	Neon Indicator: D3 = Red Neon Indicator Double Pole Switch: 10 = D.P. Switch Double Pole Neon Switch: 11 = D.P. Red Neon Switch 12 = D.P. Green Neon Switch Double Pole High Inrush Switch: 13 = D.P. High Inrush Switch Double Pole Switch Marked I/O: 70 = D.P. Switch (I/O) Double Pole Neon Switch Marked (I/O): 76 = D.P. Red Neon Switch (I/O) 77 = D.P. Green Neon Switch (I/O) Double Pole High Inrush Switch Marked (I/O): 78 = D.P. High Inrush Switch (I/O) B1 = D.P. High Inrush Green Neon Switch (I/O)

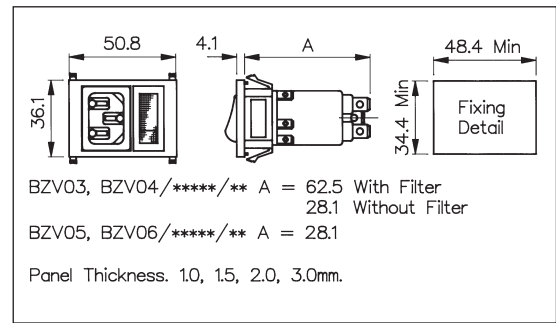
Note: For technical details of individual components please see page 106

C14 and C16 IEC Inlet - Vertical

VERTICAL MODULE ARRANGEMENT



- Inlet with 2.8mm or 6.3mm tags
- Single Pole Switch or Neon Indicator Variations
- Filtered Inlet Option
- Options of I/O marked switches
- Non Fused



How to Order

BZV xx / xxxxx / xx

Type of Inlet / Outlet	Filtered or Non Filtered Inlet	Combination of Other Components
<p>C14 Power Inlet (cold condition), 6.3 or 2.8mm tabs:</p> <p>03 = PX0575/63 04 = PX0575/28</p> <p>C16 Power Inlet (hot condition), 6.3 or 2.8mm tabs:</p> <p>05 = PX0595/63 06 = PX0595/28</p> <div style="border: 1px solid black; padding: 5px; margin-top: 10px;"> Please note type 05 and 06 are not available in filtered version </div>	<p>Z0000 = Non Filtered</p> <p>Axxxx = Standard</p> <p>Bxxxx = Medical</p> <div style="border: 1px solid black; padding: 10px; margin-top: 20px;"> For Filtered inlet use 6th to 9th characters from filter ordering code see pages 125-126. E.g. BZV03/A0120/02 </div>	<p>Single Pole Switch:</p> <p>01 = S.P. Switch</p> <p>Single Pole Neon Switch:</p> <p>02 = S.P. Red Neon Switch 08 = S.P. Green Neon Switch</p> <p>Neon Indicator:</p> <p>03 = Red Neon Indicator</p> <p>Single Pole High Inrush Switch:</p> <p>46 = S.P. High Inrush Switch</p> <p>Single Pole Switch Marked I/O:</p> <p>69 = S.P. Switch (I/O)</p> <p>Single Pole Neon Switch Marked (I/O):</p> <p>71 = S.P. Red Neon Switch (I/O) 74 = S.P. Green Neon Switch (I/O)</p> <p>Single Pole High Inrush Switch Marked (I/O):</p> <p>98 = S.P. High Inrush Switch (I/O)</p>

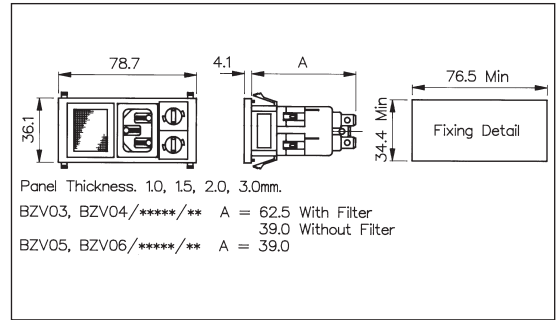
Note: For technical details of individual components please see page 106

C14 and C16 IEC Inlet - Vertical

VERTICAL MODULE ARRANGEMENT



- Inlet with 2.8mm or 6.3mm tags
- Double Pole Switch/ Fuseholder/Indicator/ Voltage Selectors/ Blanking Plate
- Filtered Inlet Option
- Options of I/O marked switches



How to Order

BZV xx / xxxxx / xx

Type of Inlet / Outlet	Filtered or Non Filtered Inlet	Combination of Other Components	
<p>C14 Power Inlet (cold condition), 6.3 or 2.8mm tabs:</p> <p>03 = PX0575/63 04 = PX0575/28</p> <p>C16 Power Inlet (hot condition), 6.3 or 2.8mm tabs:</p> <p>05 = PX0595/63 06 = PX0595/28</p>	<p>Z0000 = Non Filtered Axxxx = Standard Bxxxx = Medical</p>	<p>Twin Fuseholder and Double Pole Switch: 05 = 2 x FX0359 + D.P. Switch</p> <p>Twin Fuseholder and Double Pole Neon Switch: 06 = 2 x FX0359 + D.P. Red Neon Switch 09 = 2 x FX0359 + D.P. Green Neon Switch 19 = 2 x FX0359 + D.P. Red Neon Switch 125V</p> <p>Twin Fuseholder and Neon Indicator: 07 = 2 x FX0359 + Red Neon Indicator</p> <p>Voltage Selector, Fuseholder and Double Pole Switch: 15 = 1 x VS0001 + 1 x FX0359 + Double Pole switch</p> <p>Voltage Selector, Fuseholder and Double Pole Neon Switch: 16 = 1 x VS0001 + 1 x FX0359 + D.P. Red Neon Switch 18 = 1 x VS0001 + 1 x FX0359 + D.P. Green Neon Switch</p> <p>Voltage Selector, Fuseholder and Neon Indicator: 17 = 1 x VS0001 + 1 x FX0359 + Red Neon Indicator</p> <p>Twin Fuseholder and Double Pole High Inrush Switch: 20 = 2 x FX0359 + D.P. High Inrush Switch</p> <p>Twin Fuseholder and Double Pole High Inrush Neon Switch: 21 = 2 x FX0359 + 1 x D.P. High Inrush Green Neon Switch 22 = 2 x FX0359 + 1 x D.P. High Inrush Red Neon Switch</p>	<p>Voltage Selector, Neon Indicator and Double Pole Switch 25 = 1 x VS0001 + 1 x DX0928/110V/Red + D.P. Switch 26 = 1 x VS0001 + 1 x DX0928/110V/Green + D.P. Switch 27 = 1 x VS0001 + 1 x DX0928/250V/Red + D.P. Switch 28 = 1 x VS0001 + 1 x DX0928/250V/Green + D.P. Switch</p> <p>Voltage Selector, Neon Indicator and Double Pole High Inrush Switch: 29 = 1 x VS0001 + 1 x DX0928/250V/Red + D.P. High Inrush Switch 30 = 1 x VS0001 + 1 x DX0928/250V/Green + D.P. High Inrush Switch</p> <p>Fuseholder, Neon Indicator and Double Pole Switch 31 = 1 x FX0359 + 1 x DX0928/110V/Red + D.P. Switch 32 = 1 x FX0359 + 1 x DX0928/110V/Green + D.P. Switch 33 = 1 x FX0359 + 1 x DX0928/250V/Red + D.P. Switch 34 = 1 x Fx0359 + 1 x DX0928/250V/Green + D.P. Switch</p> <p>Fuseholder, Neon Indicator and Double Pole High Inrush Switch: 35 = 1 x FX0359 + 1 x DX0928/250V/Red + D.P. High Inrush Switch 36 = 1 x FX0359 + 1 x DX0928/250V/Green + D.P. High Inrush Switch</p> <p>Fuseholder, Blanking Plate and Double Pole High Inrush Neon Switch: 47 = 1 x FX0359 + 1 x Blanking Plate (Right) + D.P. High Inrush Green Neon Switch</p> <p>Fuseholder, Blanking Plate and Double Pole Switch: 48 = 1 x FX0359 + 1 x Blanking Plate (Right) + D.P. Switch</p>
<p>Please note type 05 and 06 are not available in filtered version</p>	<p>For Filtered inlet use 6th to 9th characters from filter ordering code see pages 125-126.</p> <p>E.g. BZV03/A0120/07</p>		

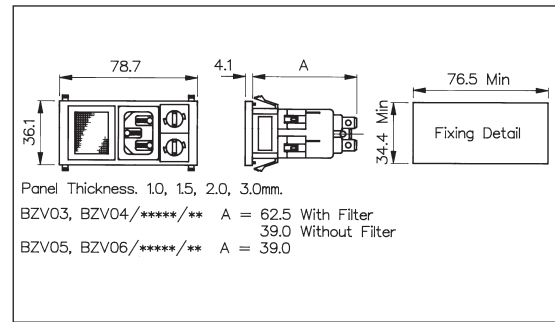
IEC CONNECTORS

C14 and C16 IEC Inlet - Vertical

VERTICAL MODULE ARRANGEMENT



- Inlet with 2.8mm or 6.3mm tags
- Double Pole Switch/ Fuseholder/Indicator/ Voltage Selectors/ Blanking Plate
- Filtered Inlet Option
- Options of I/O marked switches



How to Order

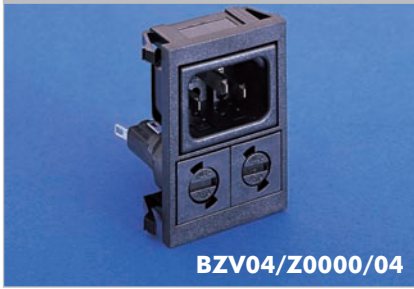
BZV xx / xxxxx / xx

Type of Inlet / Outlet	Filtered or Non Filtered Inlet	Combination of Other Components
<p>C14 Power Inlet (cold condition), 6.3 or 2.8mm tabs:</p> <p>03 = PX0575/63 04 = PX0575/28</p> <p>C16 Power Inlet (hot condition), 6.3 or 2.8mm tabs:</p> <p>05 = PX0595/63 06 = PX0595/28</p>	<p>Z0000 = Non Filtered</p> <p>Axxxx = Standard</p> <p>Bxxxx = Medical</p>	<p>Twin Fuseholder and Double Pole Switch Marked (I/O): 72 = 2 x FX0359 + D.P. Switch (I/O)</p> <p>Twin Fuseholder and Double Pole Neon Switch Marked (I/O): 73 = 2 x FX0359 + D.P. Red Neon Switch (I/O) 75 = 2 x FX0359 + D.P. Green Neon Switch (I/O) 82 = 2 x FX0359 + D.P. Red Neon Switch 125V(I/O)</p> <p>Voltage Selector, Fuseholder and Double Pole Switch Marked (I/O): 79 = 1 x VS0001 + 1 x FX0359 + Double Pole switch (I/O)</p> <p>Voltage Selector, Fuseholder and Double Pole Neon Switch Marked (I/O): 80 = 1 x VS0001 + 1 x FX0359 + D.P. Red Neon Switch (I/O) 81 = 1 x VS0001 + 1 x FX0359 + D.P. Green Neon Switch (I/O)</p> <p>Twin Fuseholder and Double Pole High Inrush Switch Marked (I/O): 83 = 2 x FX0359 + D.P. High Inrush Switch (I/O)</p> <p>Twin Fuseholder and Double Pole High Inrush Neon Switch Marked (I/O): 84 = 2 x FX0359 + 1 x D.P. High Inrush Green Neon Switch (I/O) 85 = 2 x FX0359 + 1 x D.P. High Inrush Red Neon Switch (I/O)</p> <p>Voltage Selector, Neon Indicator and Double Pole Switch Marked (I/O): 86 = 1 x VS0001 + 1 x DX0928/110V/Red + D.P. Switch (I/O) 87 = 1 x VS0001 + 1 x DX0928/110V/Green + D.P. Switch (I/O) 88 = 1 x VS0001 + 1 x DX0928/250V/Red + D.P. Switch (I/O) 89 = 1 x VS0001 + 1 x DX0928/250V/Green + D.P. Switch (I/O)</p>
<p>Please note type 05 and 06 are not available in filtered version</p>	<p>For Filtered inlet use 6th to 9th characters from filter ordering code see pages 125-126.</p> <p>E.g. BZV03/A0120/07</p>	<p>Voltage Selector, Neon Indicator and Double Pole High Inrush Switch Marked (I/O): 90 = 1 x VS0001 + 1 x DX0928/250V/Red + D.P. High Inrush Switch(I/O) 91 = 1 x VS0001 + 1 x DX0928/250V/Green + D.P. High Inrush Switch(I/O)</p> <p>Fuseholder, Neon Indicator and Double Pole Switch Marked (I/O) 92 = 1 x FX0359 + 1 x DX0928/110V/Red + D.P. Switch (I/O) 93 = 1 x FX0359 + 1 x DX0928/110V/Green + D.P. Switch (I/O) 94 = 1 x FX0359 + 1 x DX0928/250V/Red + D.P. Switch (I/O) 95 = 1 x FX0359 + 1 x DX0928/250V/Green + D.P. Switch (I/O)</p> <p>Fuseholder, Neon Indicator and Double Pole High Inrush Switch Marked (I/O): 96 = 1 x FX0359 + 1 x DX0928/250V/Red + D.P. High Inrush Switch (I/O) 97 = 1 x FX0359 + 1 x DX0928/250V/Green + D.P. High Inrush Switch (I/O)</p> <p>Fuseholder, Blanking Plate and Double Pole High Inrush Neon Switch Marked (I/O): 99 = 1 x FX0359 + 1 x Blanking Plate (Right) + D.P. High Inrush Green Neon Switch (I/O)</p> <p>Fuseholder, Blanking Plate and Double Pole Switch Marked (I/O): A0 = 1 x FX0359 + 1 x Blanking Plate (Right) + D.P. Switch (I/O) B2 = 1 x VS0002 + 1 x Blanking Plate B3 = 1 x FX0359 + 1 x Blanking Plate + D.P. High Inrush Switch (I/O)</p>

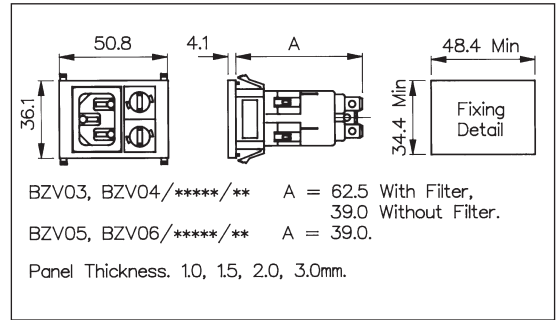
IEC CONNECTORS

C14 and C16 IEC Inlet - Vertical

VERTICAL MODULE ARRANGEMENT

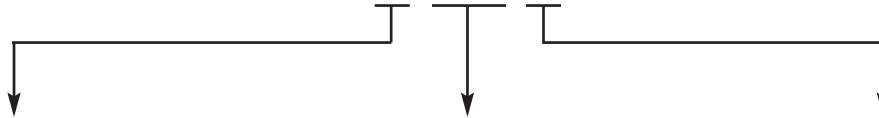


- Inlet with 2.8mm or 6.3mm tags
- Fuseholder/Voltage Selector/Indicator options/Blanking plate
- Filtered Inlet Option



How to Order

BZV xx / xxxxx / xx



Type of Inlet / Outlet	Filtered or Non Filtered Inlet	Combination of Other Components
<p>C14 Power Inlet (cold condition), 6.3 or 2.8mm tabs:</p> <p>03 = PX0575/63 04 = PX0575/28</p> <p>C16 Power Inlet (hot condition), 6.3 or 2.8mm tabs:</p> <p>05 = PX0595/63 06 = PX0595/28</p> <div style="border: 1px solid black; padding: 5px; margin-top: 10px;"> Please note type 05 and 06 are not available in filtered version </div>	<p>Z0000 = Non Filtered</p> <p>Axxxx = Standard</p> <p>Bxxxx = Medical</p> <div style="border: 1px solid black; padding: 10px; margin-top: 20px;"> For Filtered inlet use 6th to 9th characters from filter ordering code see pages 125-126. E.g. BZV04/A0120/04 </div>	<p>Twin Fuseholder:</p> <p>04 = 2 x FX0359</p> <p>Voltage Selector and Fuseholder:</p> <p>14 = 1 x VS0001 + 1 x FX0359</p> <p>Voltage selector and Neon:</p> <p>37 = 1 x VS0001 + DX0928/110V/Red 38 = 1 x VS0001 + DX0928/110V/Green 39 = 1 x VS0001 + DX0928/250V/Red 40 = 1 x VS0001 + DX0928/250V/Green</p> <p>Fuseholder and Neon:</p> <p>41 = 1 x FX0359 + DX0928/110V/Red 42 = 1 x FX0359 + DX0928/110V/Green 43 = 1 x FX0359 + DX0928/250V/Red 44 = 1 x FX0359 + DX0928/250V/Green</p> <p>Fuseholder and Blanking Plate:</p> <p>45 = 1 x FX0359 + Blanking Plate</p> <p>Voltage Selector and Blanking Plate:</p> <p>B2 = 1 x VS0001 + Blanking Plate</p>

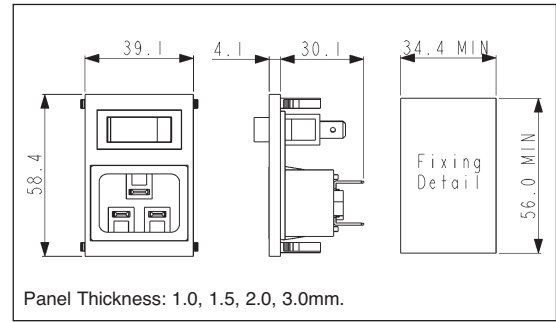
Note: For technical details of individual components please see page 106

C20 IEC Inlet - Vertical

VERTICAL MODULE ARRANGEMENT



- Inlet with 4.8mm or 6.3mm tags
- Single Pole Switch marked I/O
- Illuminated, red or green, switches
- High inrush non-illuminated switch



How to Order

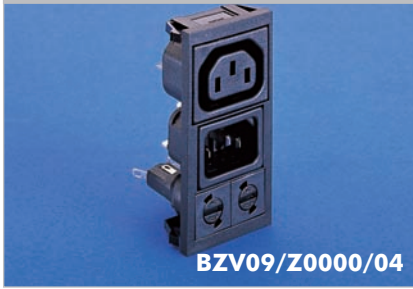
BZV xx / xxxxx / xx

Type of Inlet	Filtered or Non Filtered Inlet	Combination of Other Components
C20 Power Inlet (cold condition), 4.8 or 6.3mm tabs: 49 = PX0598/63 50 = PX0598/48	Z0000 = Non Filtered	Single Pole Switch: 01 = S.P. Switch Single Pole Switch Marked (I/O): 69 = S.P. Switch (I/O) Single Pole Illuminated Switch: 02 = S.P. Illuminated Red 08 = S.P. Illuminated Green Single Pole Non-illuminated High Inrush Switch Marked I/O: 98 = S.P. High Inrush Switch (I/O) Single Pole Illuminated (Red or Green 250v Neon) Switch Marked I/O: 71 = S.P. Switch Illuminated Red (I/O) 74 = S.P. Switch Illuminated Green (I/O)

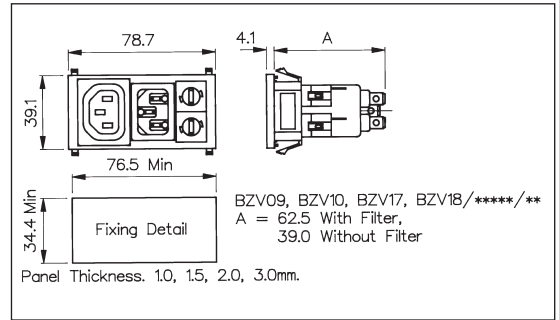
Note: For technical details of individual components please see page 106

C14 IEC Inlet/Sheet F IEC Outlet - Vertical

VERTICAL MODULE ARRANGEMENT



- Inlet/Outlet Combination
- 2.8mm or 6.3mm tags
- Filtered Inlet and Blanking Plate options
- Shuttered or Non-shuttered Outlet
- Fused



How to Order

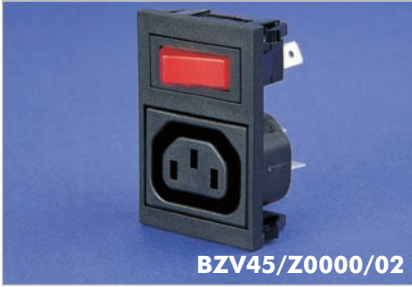
BZV xx / xxxxx / xx

Type of Inlet / Outlet	Filtered or Non Filtered Inlet	Combination of Other Components
<p>C14 Power Inlet (cold condition) and Sheet F Non-shuttered Power Outlet, 2.8 or 6.3mm tabs:</p> <p>09 = PX0575/63 + PX0695/63 10 = PX0575/28 + PX0695/28</p> <p>C14 Power Inlet (cold condition) and Sheet F Shuttered Power Outlet, 2.8 or 6.3mm tabs:</p> <p>17 = PX0575/63 + PX0783/63 18 = PX0575/28 + PX0783/28</p>	<p>Z0000 = Non Filtered Axxxx = Standard Bxxxx = Medical</p> <div style="border: 1px solid black; padding: 5px; margin-top: 20px;"> <p>For Filtered inlet use 6th to 9th characters from filter ordering code see pages 125-126. E.g. BZV09/A0120/04</p> </div>	<p>Twin Fuseholder: 04 = 2 x FX0359</p> <p>Voltage Selector and Fuseholder: 14 = 1 x VS0001 + 1 x FX0359</p> <p>Voltage selector and Neon: 37 = 1 x VS0001 + DX0928/110V/Red 38 = 1 x VS0001 + DX0928/110V/Green 39 = 1 x VS0001 + DX0928/250V/Red 40 = 1 x VS0001 + DX0928/250V/Green</p> <p>Fuseholder and Neon: 41 = 1 x FX0359 + DX0928/110V/Red 42 = 1 x FX0359 + DX0928/110V/Green 43 = 1 x FX0359 + DX0928/250V/Red 44 = 1 x FX0359 + DX0928/250V/Green</p> <p>Fuseholder and Blanking Plate: 45 = 1 x FX0359 + Blanking Plate</p> <p>Voltage Selector and Blanking Plate: B2 = 1 x VS0001 + Blanking Plate</p>

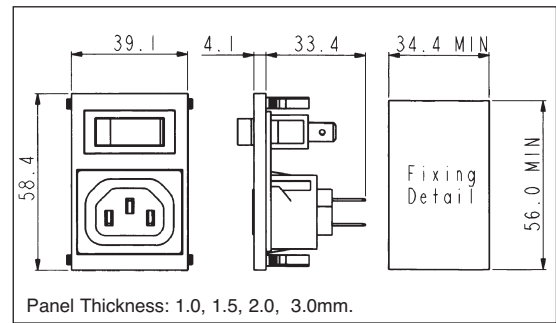
Note: For technical details of individual components please see page 106

Sheet F IEC Outlet - Vertical

VERTICAL MODULE ARRANGEMENT



- Outlet with 2.8mm or 6.3mm tabs
- Shuttered or Non-Shuttered
- Single Pole Switch or Neon Indicator
- I/O Marking Options



How to Order

BZV xx / xxxxx / xx

Type of Outlet

Non Filtered Outlet

Combination of Other Components

Sheet F Power Outlet (non shuttered), 6.3 or 2.8mm tabs:

45 = PX0695/63
46 = PX0695/28

Sheet F Power Outlet (shuttered), 6.3 or 2.8mm tabs:

47 = PX0783/63
48 = PX0783/28

Z0000 = Non Filtered

Single Pole Switch:

01 = S.P. Switch

Single Pole Neon Switch:

02 = S.P. Red Neon Switch
08 = S.P. Green Neon Switch

Neon Indicator:

03 = Red Neon Indicator

Single Pole High Inrush Switch:

46 = S.P. High Inrush Switch

Single Pole Switch Marked I/O:

69 = S.P. Switch (I/O)

Single Pole Neon Switch Marked (I/O):

71 = S.P. Red Neon Switch (I/O)
74 = S.P. Green Neon Switch (I/O)

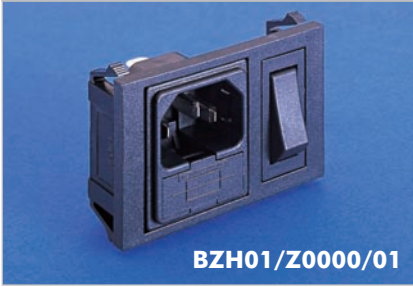
Single Pole High Inrush Switch Marked (I/O):

98 = S.P. High Inrush Switch (I/O)

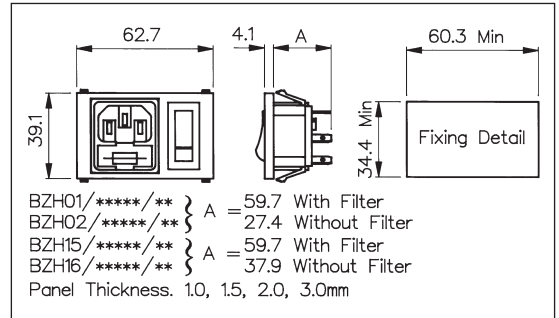
Note: For technical details of individual components please see page 106

C14 IEC Fused Inlet - Horizontal

HORIZONTAL MODULE ARRANGEMENT



- Fused Inlet with 2.8mm or 6.3mm tabs
- Single Pole Switch Variations
- Filtered Inlet Option
- Options of I/O marked switches



How to Order

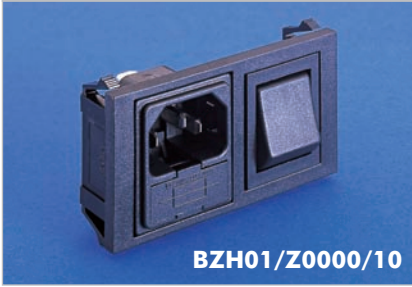
BZH xx / xxxxx / xx

Type of Inlet / Outlet	Filtered or Non Filtered Inlet	Combination of Other Components
Single Fused C14 Power Inlet (cold condition), 2.8 or 6.3mm tabs: 01 = PF0011/63 02 = PF0011/28 Twin Fused C14 Power Inlet (cold condition), 2.8 or 6.3mm tabs: 15 = PF0033/63 16 = PF0033/28	Z0000 = Non Filtered Axxxx = Standard Bxxxx = Medical (Twin Fuse Version only) <div style="border: 1px solid black; padding: 5px; width: fit-content; margin: 10px auto;"> For Filtered inlet use 6th to 9th characters from filter ordering code see pages 127-129. E.g. BZH01/A0620/01 </div>	Single Pole Switch: 01 = S.P. Switch Single Pole Neon Switch: 02 = S.P. Red Neon Switch 08 = S.P. Green Neon Switch Neon Indicator: 03 = Red Neon Indicator Single Pole High Inrush Switch: 46 = S.P. High Inrush Switch Single Pole Switch Marked I/O: 69 = S.P. Switch (I/O) Single Pole Neon Switch Marked (I/O): 71 = S.P. Red Neon Switch (I/O) 74 = S.P. Green Neon Switch (I/O) Single Pole High Inrush Switch Marked (I/O): 98 = S.P. High Inrush Switch (I/O)

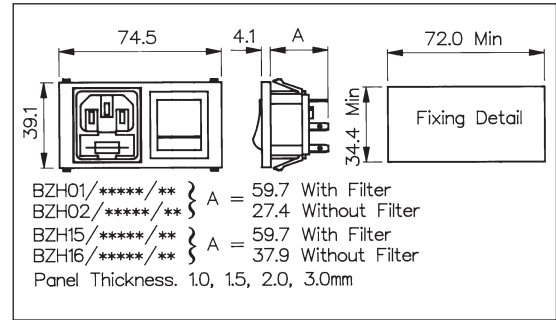
Note: For technical details of individual components please see page 106

C14 IEC Fused Inlet - Horizontal

HORIZONTAL MODULE ARRANGEMENT



- Fused Inlet with 2.8mm or 6.3mm tags
- Double Pole Switch Variations
- Filtered Inlet Option
- Options of I/O marked switches



How to Order

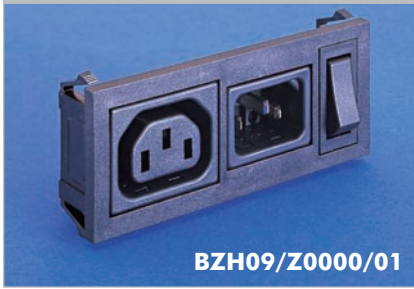
BZH xx / xxxxx / xx

Type of Inlet / Outlet	Filtered or Non Filtered Inlet	Combination of Other Components
Single Fused C14 Power Inlet (cold condition), 2.8 or 6.3mm tabs: 01 = PF0011/63 02 = PF0011/28 Twin Fused C14 Power Inlet (cold condition), 2.8 or 6.3mm tabs: 15 = PF0033/63 16 = PF0033/28	Z0000 = Non Filtered Axxxx = Standard Bxxxx = Medical (Twin Fuse Version only) <div style="border: 1px solid black; padding: 5px; width: fit-content; margin: 10px auto;"> For Filtered inlet use 6th to 9th characters from filter ordering code see pages 127-129. E.g. BZH01/A0620/10 </div>	Neon Indicator: 03 = Red Neon Indicator Double Pole Switch: 10 = D.P. Switch Double Pole Neon Switch: 11 = D.P. Red Neon Switch 12 = D.P. Green Neon Switch Double Pole High Inrush Switch: 13 = D.P. High Inrush Switch Double Pole Switch marked I/O: 70 = D.P. Switch (I/O) Double Pole Neon Switch Marked (I/O): 76 = D.P. Red Neon Switch (I/O) 77 = D.P. Green Neon Switch (I/O) Double Pole High Inrush Switch Marked (I/O): 78 = D.P. High Inrush Switch (I/O) B1 = D.P. High Inrush Green Neon Switch (I/O)

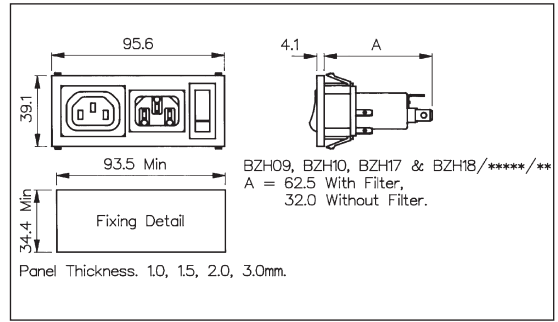
Note: For technical details of individual components please see page 106

C14 IEC Inlet/Sheet F IEC Outlet - Horizontal

HORIZONTAL MODULE ARRANGEMENT

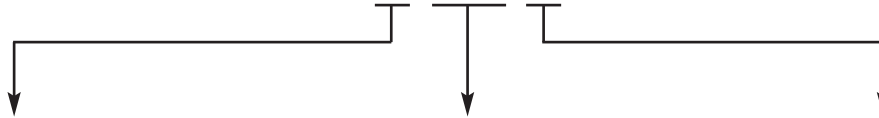


- Inlet/Outlet Combination with 2.8mm or 6.3mm tags
- Shuttered or Non-Shuttered Outlet
- Single Pole Switch Variations
- Filtered Inlet Option
- Options of I/O marked switches



How to Order

BZH xx / xxxxx / xx

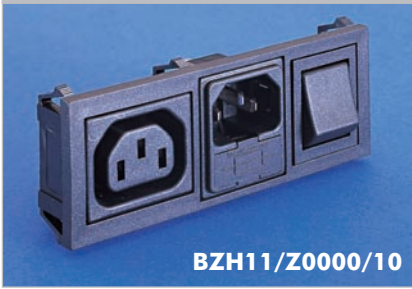


Type of Inlet / Outlet	Filtered or Non Filtered Inlet	Combination of Other Components
C14 Power Inlet (cold condition) and Sheet F Non-shuttered Power Outlet, 2.8 or 6.3mm tabs: 09 = PX0575/63 + PX0695/63 10 = PX0575/28 + PX0695/28 C14 Power Inlet (cold condition) and Sheet F Shuttered Power Outlet, 2.8 or 6.3mm tabs: 17 = PX0575/63 + PX0783/63 18 = PX0575/28 + PX0783/28	Z0000 = Non Filtered Axxxx = Standard Bxxxx = Medical <div style="border: 1px solid black; padding: 5px; width: fit-content; margin: 10px auto;"> For Filtered inlet use 6th to 9th characters from filter ordering code see pages 125-126. E.g. BZH09/A0120/01 </div>	Single Pole Switch: 01 = S.P. Switch Single Pole Neon Switch: 02 = S.P. Red Neon Switch 08 = S.P. Green Neon Switch Neon Indicator: 03 = Red Neon Indicator Single Pole High Inrush Switch: 46 = S.P. High Inrush Switch Single Pole Switch Marked I/O: 69 = S.P. Switch (I/O) Single Pole Neon Switch Marked (I/O): 71 = S.P. Red Neon Switch (I/O) 74 = S.P. Green Neon Switch (I/O) Single Pole High Inrush Switch Marked (I/O): 98 = S.P. High Inrush Switch (I/O)

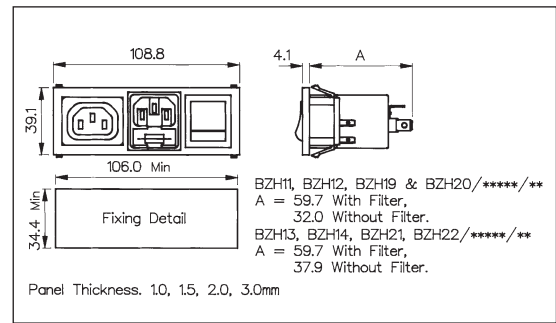
Note: For technical details of individual components please see page 106

C14 IEC Inlet/Sheet F IEC Outlet - Horizontal

HORIZONTAL MODULE ARRANGEMENT

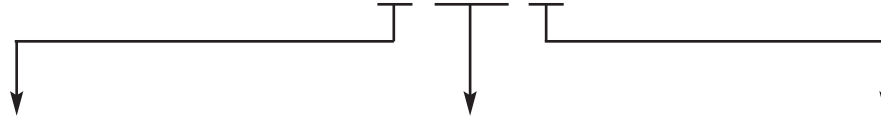


- Inlet/Outlet Combination with 2.8mm or 6.3mm tags
- Single or Twin Fused Inlet
- Shuttered or Non-Shuttered Outlet
- Double Pole Switch Variations
- Filtered Inlet Option
- Options of I/O marked switches



How to Order

BZH xx / xxxxx / xx

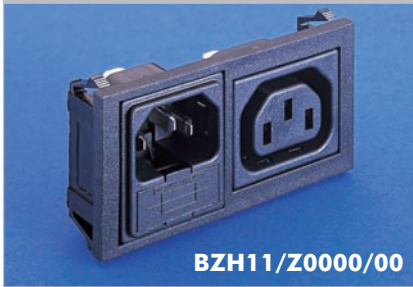


Type of Inlet/Outlet	Filtered or Non Filtered Inlet	Combination of Other Components
Single Fused C14 Power Inlet (cold condition) and Sheet F Power Outlet, 2.8 or 6.3mm tabs: 11 = PF0011/63 + PX0695/63 12 = PF0011/28 + PX0695/28 Twin Fused C14 Power Inlet (cold condition) and Sheet F Power Outlet, 2.8 or 6.3mm tabs: 13 = PF0033/63 + PX0695/63 14 = PF0033/28 + PX0695/28 Single Fused C14 Power Inlet (cold condition) and Sheet F Shuttered Power Outlet, 2.8 or 6.3mm tabs: 19 = PF0011/63 + PX0783/63 20 = PF0011/28 + PX0783/28 Twin Fused C14 Power Inlet (cold condition) and Sheet F Shuttered Power Outlet, 2.8 or 6.3mm tabs: 21 = PF0033/63 + PX0783/63 22 = PF0033/28 + PX0783/28	Z0000 = Non Filtered Axxxx = Standard Bxxxx = Medical (Twin Fuse Version only) <div style="border: 1px solid black; padding: 5px; text-align: center;"> For Filtered inlet use 6th to 9th characters from filter ordering code see pages 127-129. E.g. BZH11/A0620/10 </div>	Neon Indicator: D3 = Red Neon Indicator Double Pole Switch: 10 = D.P. Switch Double Pole Neon Switch: 11 = D.P. Red Neon Switch 12 = D.P. Green Neon Switch Double Pole High Inrush Switch: 13 = D.P. High Inrush Switch Double Pole Switch Marked I/O: 70 = D.P. Switch (I/O) Double Pole Neon Switch Marked (I/O): 76 = D.P. Red Neon Switch (I/O) 77 = D.P. Green Neon Switch (I/O) Double Pole High Inrush Switch Marked (I/O): 78 = D.P. High Inrush Switch (I/O) B1 = D.P. High Inrush Green Neon Switch (I/O)

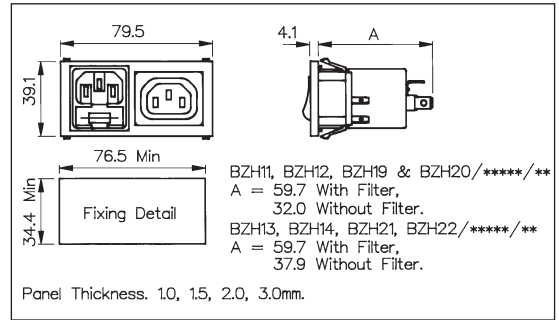
Note: For technical details of individual components please see page 106

C14 IEC Fused Inlet/Sheet F IEC Outlet - Horizontal

HORIZONTAL MODULE ARRANGEMENT

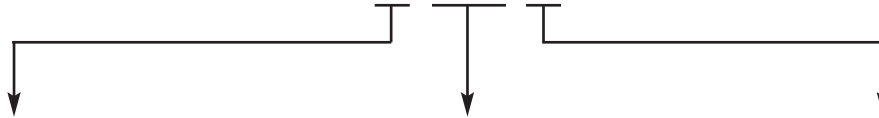


- Fused Inlet/Outlet Combination with 2.8mm or 6.3mm tags
- Filtered Inlet Option
- Single or Twin Fused



How to Order

BZH xx / xxxxx / xx



Type of Inlet / Outlet	Filtered or Non Filtered Inlet	Combination of Other Components
Single Fused C14 Power Inlet (cold condition) and Sheet F Non-shuttered Power Outlet, 2.8 or 6.3mm tabs: 11 = PF0011/63 + PX0695/63 12 = PF0011/28 + PX0695/28 Twin Fused C14 Power Inlet (cold condition) and Sheet F Non-shuttered Power Outlet, 2.8 or 6.3mm tabs: 13 = PF0033/63 + PX0695/63 14 = PF0033/28 + PX0695/28 Single Fused C14 Power Inlet (cold condition) and Sheet F Shuttered Power Outlet, 2.8 or 6.3mm tabs: 19 = PF0011/63 + PX0783/63 20 = PF0011/28 + PX0783/28 Twin Fused C14 Power Inlet (cold condition) and Sheet F Shuttered Power Outlet, 2.8 or 6.3mm tabs: 21 = PF0033/63 + PX0783/63 22 = PF0033/28 + PX0783/28	Z0000 = Non Filtered Axxxx = Standard Bxxxx = Medical (Twin Fuse Version only) <div style="border: 1px solid black; padding: 10px; margin-top: 20px;"> For Filtered inlet use 6th to 9th characters from filter ordering code see pages 127-129. E.g. BZH11/A0620/00 </div>	None 00 = None

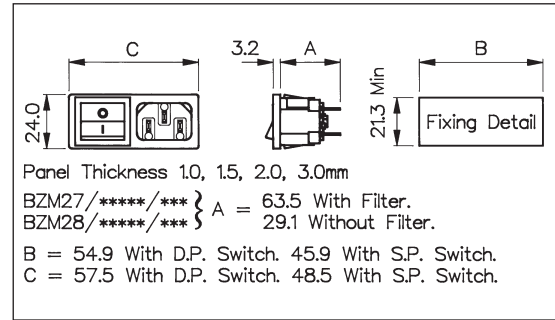
Note: For technical details of individual components please see page 106

C14 IEC Inlet - Mini Bezel

MINIMUM COMBINED BEZEL SIZE



- Inlet with 2.8, 4.8 or 6.3mm tags
- Horizontal Module Arrangement
- Single and Double Pole Switch Variations
- Filtered Inlet Option



How to Order

BZM xx / xxxxx / xx x

Type of Inlet / Outlet	Filtered or Non Filtered Inlet	Switch Variation	Panel Thickness
C14 Power Inlet (cold condition), 6.3, 4.8 & 2.8mm tabs: 27 = PX0575/63 42 = PX0575/48* 28 = PX0575/28 *filter option not available	Z0000 = Non Filtered Axxxx = Standard Bxxxx = Medical <div style="border: 1px solid black; padding: 5px; margin-top: 10px;"> For Filtered inlet use 6th to 9th characters from filter ordering code see pages 125-126. E.g. BZM27/A0120/57B </div>	Single Pole Switch, 4.8mm or solder tab, marked I/O: 53 = S.P. Switch, 4.8mm tab (I/O) 54 = S.P. Switch, solder tab (I/O) Single Pole Illuminated Switch, 4.8mm or solder tab: 55 = S.P. Switch Illum. Red, 4.8mm tab 61 = S.P. Switch Illum. Green, 4.8mm tab 56 = S.P. Switch Illum. Red, solder tab 62 = S.P. Switch Illum. Green, solder tab Double Pole Switch, 4.8mm or solder tab, marked I/O: 57 = D.P. Switch, 4.8mm tab (I/O) 58 = D.P. Switch, solder tab (I/O) Double Pole Illuminated Switch, 4.8mm or solder tab: 59 = D.P. Switch Illum. Red, 4.8mm tab 63 = D.P. Switch Illum. Green, 4.8mm tab 60 = D.P. Switch Illum. Red, solder tab 64 = D.P. Switch Illum. Green, solder tab Double Pole High Inrush, 4.8mm tabs: 65 = D.P. High Inrush Switch, 4.8mm tabs (S.P. format) Double Pole High Inrush, 4.8mm tabs, marked I/O: 68 = D.P. High Inrush Switch, 4.8mm tabs, I/O (S.P. format) Single Pole Illuminated Switch, 4.8mm or solder tab, Marked I/O: A1 = S.P. Switch Illum. Red, 4.8mm tab (I/O) A5 = S.P. Switch Illum. Green, 4.8mm tab (I/O) A2 = S.P. Switch Illum. Red, solder tab (I/O) A6 = S.P. Switch Illum. Green, solder tab (I/O) Double Pole Illuminated Switch, 4.8mm or solder tab, Marked I/O: A3 = D.P. Switch Illum. Red, 4.8mm tab A7 = D.P. Switch Illum. Green, 4.8mm tab A4 = D.P. Switch Illum. Red, solder tab A8 = D.P. Switch Illum. Green, solder tab	1.0mm = A 1.5mm = B 2.0mm = C 3.0mm = D

Note: For technical details of individual components please see please see page 106

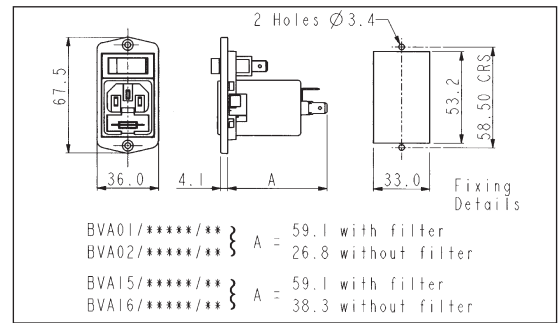
Inlet Approvals:

C14 IEC Fused Inlet - Polyflange

VERTICAL MODULE ARRANGEMENT



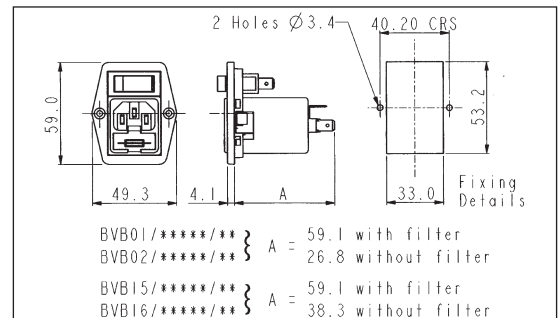
- Fused Inlet with 2.8mm or 6.3mm tags
- Screw Fixing to Panel
- Single Pole Switch Variations
- Filtered Inlet Option
- Options of I/O marked switches



VERTICAL MODULE ARRANGEMENT



- Fused Inlet with 2.8mm or 6.3mm tags
- Screw Fixing to Panel
- Single Pole Switch Variations
- Filtered Inlet Option
- Options of I/O marked switches



How to Order

BVx xx / xxxxx / xx

Flange Type	Type of Inlet / Outlet	Filtered or Non Filtered Inlet	Combination of Other Components
A = Top fixing B = Side fixing	Single Fused C14 Power Inlet (cold condition), 6.3 or 2.8mm tabs: 01 = PF0011/63 02 = PF0011/28 Twin Fused C14 Power Inlet (cold condition), 6.3 or 2.8mm tabs: 15 = PF0033/63 16 = PF0033/28	Z0000 = Non Filtered Axxxx = Standard Bxxxx = Medical (Twin Fuse Version only)	Single Pole Switch: 01 = S.P. Switch Single Pole Neon Switch: 02 = S.P. Red Neon Switch 08 = S.P. Green Neon Switch Neon Indicator: 03 = Red Neon Indicator Single Pole High Inrush Switch: 46 = S.P. High Inrush Switch Single Pole Switch Marked I/O: 69 = S.P. Switch (I/O) Single Pole Neon Switch Marked (I/O): 71 = S.P. Red Neon Switch (I/O) 74 = S.P. Green Neon Switch (I/O) Single Pole High Inrush Switch Marked (I/O): 98 = S.P. High Inrush Switch (I/O)

For Filtered inlet use 6th to 9th characters from filter ordering code see pages 127-129.
 E.g. BVA01/**A0620**/01

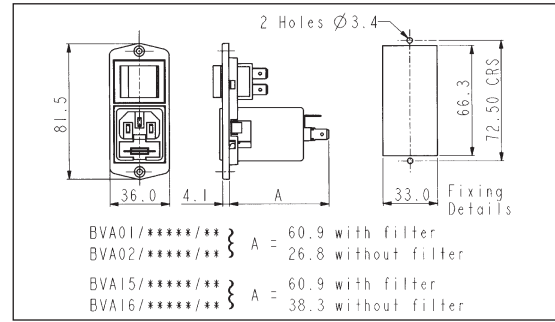
Note: For technical details of individual components please see page 106

C14 IEC Fused Inlet - Polyflange

VERTICAL MODULE ARRANGEMENT



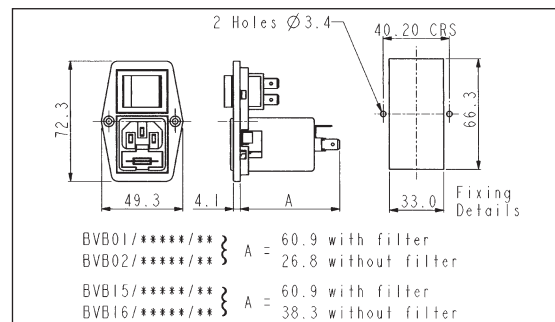
- Fused Inlet with 2.8mm or 6.3mm tags
- Screw Fixing to Panel
- Double Pole Switch Variations
- Filtered Inlet Option
- Options of I/O marked switches



VERTICAL MODULE ARRANGEMENT



- Fused Inlet with 2.8mm or 6.3mm tags
- Screw Fixing to Panel
- Double Pole Switch Variations
- Filtered Inlet Option
- Options of I/O marked switches



How to Order

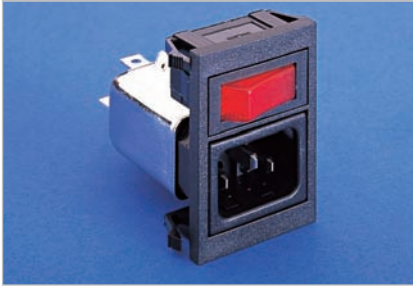
BVx xx / xxxxx / xx

Flange Type	Type of Inlet / Outlet	Filtered or Non Filtered Inlet	Combination of Other Components
<p>A = Top fixing</p> <p>B = Side fixing</p>	<p>Fused C14 Power Inlet (cold condition), 6.3 or 2.8mm tabs:</p> <p>01 = PF0011/63 02 = PF0011/28</p> <p>Twin Fused C14 Power Inlet (cold condition), 6.3 or 2.8mm tabs:</p> <p>15 = PF0033/63 16 = PF0033/28</p>	<p>Z0000 = Non Filtered</p> <p>Axxxx = Standard</p> <p>Bxxxx = Medical (Twin Fuse Version only)</p> <div style="border: 1px solid black; padding: 5px; margin-top: 20px;"> <p>For Filtered inlet use 6th to 9th characters from filter ordering code see pages 127-129.</p> <p>E.g. BVA01/A0620/10</p> </div>	<p>Neon Indicator:</p> <p>D3 = Red Neon Indicator</p> <p>Double Pole Switch:</p> <p>10 = D.P. Switch</p> <p>Double Pole Neon Switch:</p> <p>11 = D.P. Red Neon Switch 12 = D.P. Green Neon Switch</p> <p>Double Pole High Inrush Switch:</p> <p>13 = D.P. High Inrush Switch</p> <p>Double Pole Switch Marked I/O:</p> <p>70 = D.P. Switch (I/O)</p> <p>Double Pole Neon Switch Marked (I/O):</p> <p>76 = D.P. Red Neon Switch (I/O) 77 = D.P. Green Neon Switch (I/O)</p> <p>Double Pole High Inrush Switch Marked (I/O):</p> <p>78 = D.P. High Inrush Switch (I/O) B1 = D.P. High Inrush Green Neon Switch (I/O)</p>

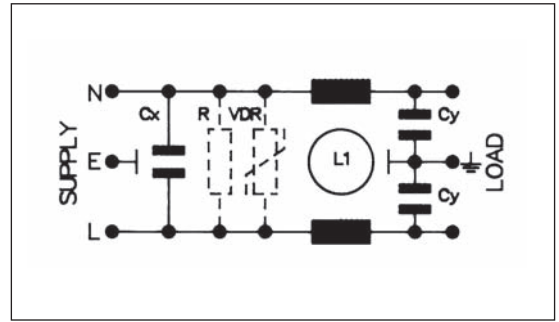
Note: For technical details of individual components please see page 106

C14 IEC Inlet - Standard Filter

EMI FILTER OPTIONS



- For Polysnap modules BZV03, BZV04, BZV09, BZV10, BZV17, BZV18, BZH09, BZH10, BZH17, BZH18, BZM27, BZM28
- PX0575 style IEC inlet
- Using PS01/A style filter
- Standard Attenuation Filter



Bxxxx/A xx x x / xx



Polysnap Part No.	Filter Type	Rating	L/C Circuit	Additional Components	Polysnap Part No.
From Polysnap Selection	A = Standard	01 = 1A 03 = 3A 06 = 6A 10 = 10A	1 = Version 1 2 = Version 2 3 = Version 3	0 = None 1 = Bleed (R) Resistor 2 = Surge (VDR) Protection 3 = "R" plus "VDR"	From Polysnap Selection

Rating	Version	L1	Cx	Cy
1 AMP	1	2 x 2.8mH	1 x 15nF	2 x 2.2nF
"	2	2 x 10mH	1 x 15nF	2 x 2.2nF
"	3	2 x 10mH	1 x 47nF	2 x 2.2nF
3 AMP	1	2 x 0.75mH	1 x 15nF	2 x 2.2nF
"	2	2 x 1.8mH	1 x 15nF	2 x 2.2nF
"	3	2 x 1.8mH	1 x 47nF	2 x 2.2nF
6 AMP	1	2 x 0.3mH	1 x 15nF	2 x 2.2nF
"	2	2 x 0.7mH	1 x 15nF	2 x 2.2nF
"	3	2 x 0.7mH	1 x 47nF	2 x 2.2nF
10 AMP	1	2 x 0.17mH	1 x 15nF	2 x 2.2nF
"	2	2 x 0.35mH	1 x 15nF	2 x 2.2nF
"	3	2 x 0.17mH	1 x 47nF	2 x 2.2nF

Part No. Example

BZV03/A0120/02 =
 BZV style Polysnap module with PX0575 IEC power inlet, filter rated at 1 amp, L/C circuit version 2 (L1 = 2 x 10mH, Cx = 1 x 15nF, Cy = 2 x 2.2nF), without bleed resistor or surge protection device fitted, 6.3mm tabs and single pole red neon switch.

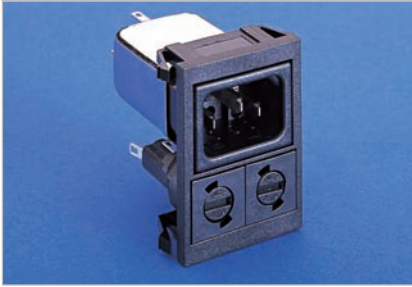
Filter Specification

Max. Working Voltage:	250V a.c. 50-400Hz
Earth Leakage Current:	<0.35mA (250V. 50Hz)
Temperature Range:	-25°C to +85°C
Max. Ambient Temp.: (@ Full Load)	40°C (derate linearly to 0A @ 85°C)
Test Voltage:	2700V d.c. 2 secs. Lines to Earth 1100V d.c. 2 secs. Live to Neutral
Approvals:	
Attenuation Curves:	See PS01/A filter, page 132

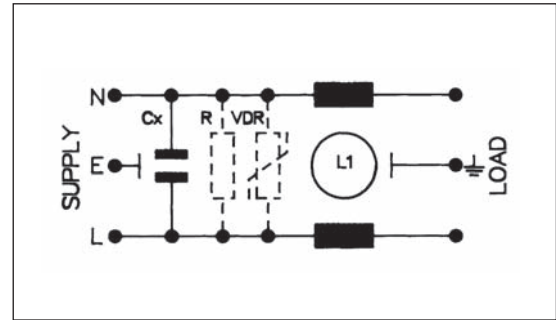
IEC CONNECTORS

C14 IEC Inlet - Medical Filter

EMI FILTER OPTIONS



- For Polysnap modules BZV03, BZV04, BZV09, BZV10, BZV17, BZV18, BZH09, BZH10, BZH17, BZH18, BZM27, BZM28
- PX0575 style IEC inlet
- Using PS01/B style filter
- Medical Filter



Bxxxx/Bxx x x / xx

Polysnap Part No.	Filter Type	Rating	L/C Circuit	Additional Components	Polysnap Part No.
From Polysnap Selection	B = Medical	01 = 1A 03 = 3A 06 = 6A 10 = 10A	1 = Version 1 2 = Version 2 3 = Version 3	0 = None 1 = Bleed (R) Resistor 2 = Surge (VDR) Protection 3 = "R" plus "VDR"	From Polysnap Selection

IEC CONNECTORS

Rating	Version	L1	Cx
1 AMP	1	2 x 2.8mH	1 x 15nF
"	2	2 x 10mH	1 x 15nF
"	3	2 x 10mH	1 x 47nF
3 AMP	1	2 x 0.75mH	1 x 15nF
"	2	2 x 1.8mH	1 x 15nF
"	3	2 x 1.8mH	1 x 47nF
6 AMP	1	2 x 0.3mH	1 x 15nF
"	2	2 x 0.7mH	1 x 15nF
"	3	2 x 0.7mH	1 x 47nF
10 AMP	1	2 x 0.17mH	1 x 15nF
"	2	2 x 0.35mH	1 x 15nF
"	3	2 x 0.17mH	1 x 47nF

Part No. Example

BZV04/B0322/04 =

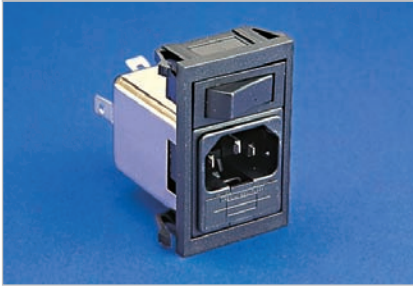
BZV style Polysnap module with PX0575 IEC power inlet, filter rated at 3 amps, L/C circuit version 2 (L1 = 2 x 1.8mH, Cx = 1 x 15nF), without bleed resistor, with surge protection device fitted, 2.8mm tabs and two fuseholders.

Filter Specification

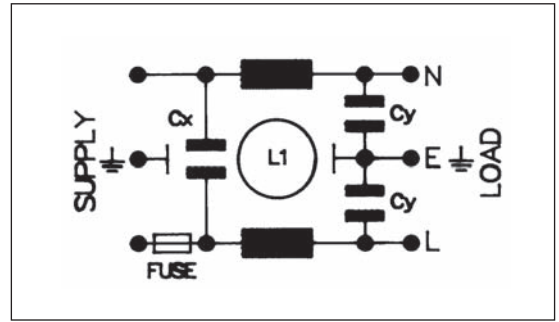
Max. Working Voltage:	250V a.c. 50-400Hz
Earth Leakage Current:	<100µA (typically 5µA, 250V. 50Hz)
Temperature Range:	-25°C to +85°C
Max. Ambient Temp.: (@ Full Load)	40°C (derate linearly to 0A @ 85°C)
Test Voltage:	2700V d.c. 2 secs. Lines to Earth 1100V d.c. 2 secs. Live to Neutral
Approvals:	
Attenuation Curves:	See PS01/B filter, page 134

C14 Inlet Single Fuse - Standard Filter

EMI FILTER OPTIONS



- For Polysnap modules BZV01, BZV02, BZH01, BZH02, BZH11, BZH12, BZH19, BZH20, BVA01, BVA02, BVB01, BVB02
- PF0011 style single fuse IEC inlet
- Using PS21/A style filter
- Standard Attenuation Filter



Bxxxx/A xx x x / xx



Polysnap Part No.	Filter Type	Rating	L/C Circuit	Additional Components	Polysnap Part No.
From Polysnap Selection	A = Standard	01 = 1A 03 = 3A 06 = 6A	2 = Version 2 3 = Version 3	0 = None	From Polysnap Selection

Rating	Version	L1	Cx	Cy
1 AMP	1			
"	2			
"	3	2 x 12mH	1 x 47nF	2 x 2.2nF
3 AMP	1			
"	2	2 x 1.8mH	1 x 15nF	2 x 2.2nF
"	3	2 x 6.5mH	1 x 47nF	2 x 2.2nF
6 AMP	1			
"	2	2 x 0.7mH	1 x 15nF	2 x 2.2nF
"	3	2 x 2mH	1 x 47nF	2 x 2.2nF
10 AMP	1			
"	2			
"	3			

Part No. Example

BZV01/A0630/01 =

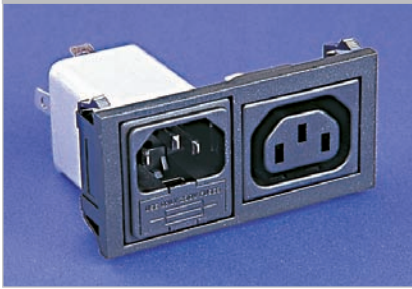
BZV style Polysnap module with PF0011 single fused (5 x 20mm) IEC power inlet, filter rated at 6 amp, L/C circuit version 3 (L1 = 2 x 2.0mH, Cx = 1 x 47nF, Cy = 2 x 2.2nF), 6.3mm tabs and single pole switch.

Filter Specification

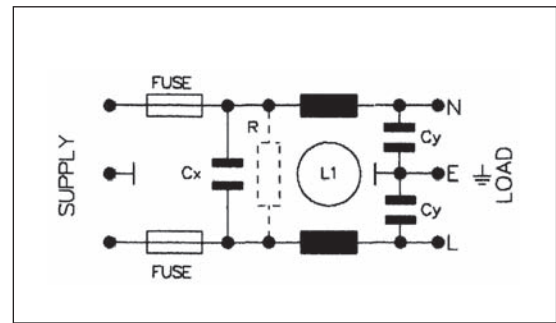
Max. Working Voltage:	250V a.c. 50-400Hz
Earth Leakage Current:	<0.35mA (250V. 50Hz)
Temperature Range:	-25°C to +85°C
Max. Ambient Temp.: (@ Full Load)	40°C (derate linearly to 0A @ 85°C)
Test Voltage:	2700V d.c. 2 secs. Lines to Earth 1100V d.c. 2 secs. Live to Neutral
Approvals:	
Attenuation Curves:	See PS21/A filter, page 140

C14 Inlet Twin Fuse - Standard Filter

EMI FILTER OPTIONS



- For Polysnap modules BZV15, BZV16, BZH13, BZH14, BZH15, BZH16, BZH21, BZH22, BVA15, BVA16, BVB15, BVB16
- PF0033 style twin fuse IEC inlet
- Using PS26/A filter
- Standard Attenuation Filter



Bxxxx/A xx x x / xx

Polysnap Part No.	Filter Type	Rating	L/C Circuit	Additional Components	Polysnap Part No.
From Polysnap Selection	A = Standard	02 = 2A 04 = 4A	2 = Version 2	0 = None 1 = Bleed (R) Resistor	From Polysnap Selection

IEC CONNECTORS

Rating	Version	L1	Cx	Cy	Part No. Example
2 AMP	1				BZH13/A0420/00 = BZH style Polysnap module with PF0033 twin fused (5 x 20mm) IEC power inlet, filter rated at 4 amps, L/C circuit version 2 (L1 = 2 x 0.7mH, Cx = 1 x 15nF, Cy = 2 x 2.2nF), without bleed resistor fitted, 6.3mm tabs and no additional components.
"	2	2 x 1.8mH	1 x 15nF	2 x 2.2nF	
"	3				
4 AMP	1				
"	2	2 x 0.7mH	1 x 15nF	2 x 2.2nF	
"	3				

Filter Specification

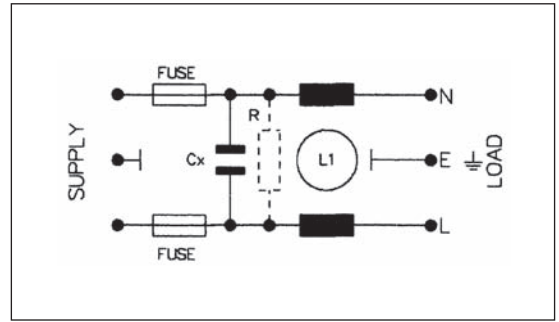
Max. Working Voltage:	250V a.c. 50-400Hz
Earth Leakage Current:	<0.35mA (250V. 50Hz)
Temperature Range:	-25°C to +85°C
Max. Ambient Temp.: (@ Full Load)	40°C (derate linearly to 0A @ 85°C)
Test Voltage:	2700V d.c. 2 secs. Lines to Earth 1100V d.c. 2 secs. Live to Neutral
Approvals:	
Attenuation Curves:	See PS26/A filter, page 142

C14 Inlet Twin Fuse - Medical Filter

EMI FILTER OPTIONS



- For Polysnap modules BZV15, BZV16, BZH13, BZH14, BZH15, BZH16, BZH21, BZH22, BVA15, BVA16, BVB15, BVB16
- PF0033 style twin fuse IEC inlet
- Using PS26/B style filter
- Medical Attenuation Filter



Bxxxx/Bxx x x / xx



Polysnap Part No.	Filter Type	Rating	L/C Circuit	Additional Components	Polysnap Part No.
From Polysnap Selection	B = Medical	02 = 2A 04 = 4A	2 = Version 2	0 = None 1 = Bleed (R) Resistor	From Polysnap Selection

Rating	Version	L1	Cx
2 AMP	1		
"	2	2 x 1.8mH	1 x 15nF
"	3		
4 AMP	1		
"	2	2 x 0.7mH	1 x 15nF
"	3		

Part No. Example

BZH15/B0221/01 =
 BZH style Polysnap module with PF0033 twin fused (5 x 20mm) IEC power inlet, filter rated at 2 amp, L/C circuit version 2 (L1 = 2 x 1.8mH, Cx = 1 x 15nF), with bleed resistor fitted, 6.3mm tabs and single pole switch.

Filter Specification

Max. Working Voltage:	250V a.c. 50-400Hz
Earth Leakage Current:	<100µA (typically 5µA 250V. 50Hz)
Temperature Range:	-25°C to +85°C
Max. Ambient Temp.: (@ Full Load)	40°C (derate linearly to 0A @ 85°C)
Test Voltage:	2700V d.c. 2 secs. Lines to Earth 1100V d.c. 2 secs. Live to Neutral
Approvals:	
Attenuation Curves:	See PS26/B filter, page 144

