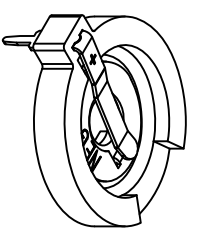
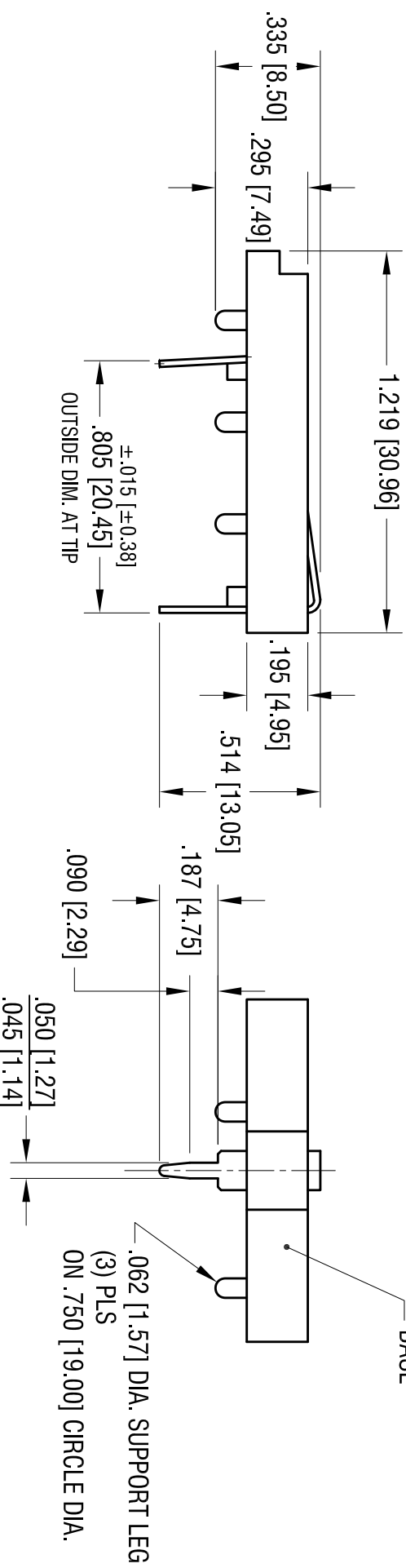
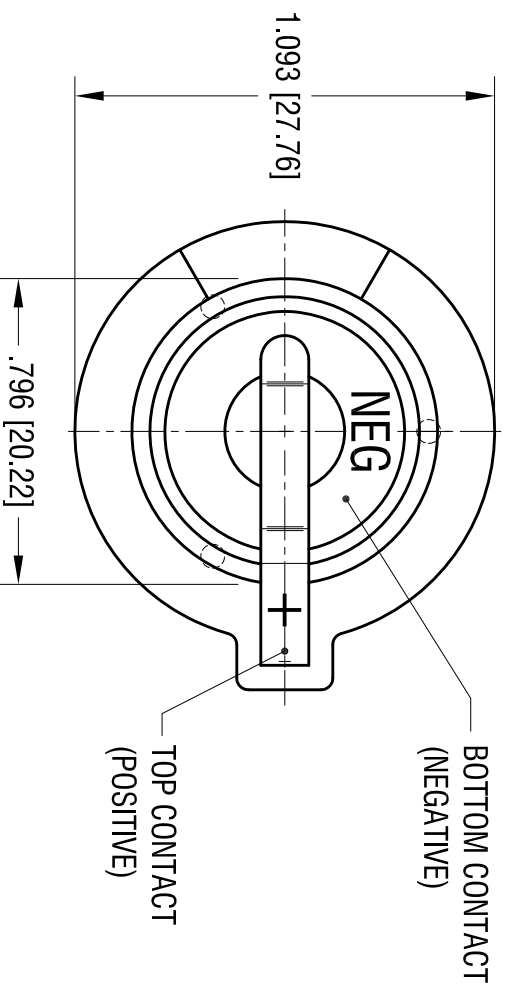
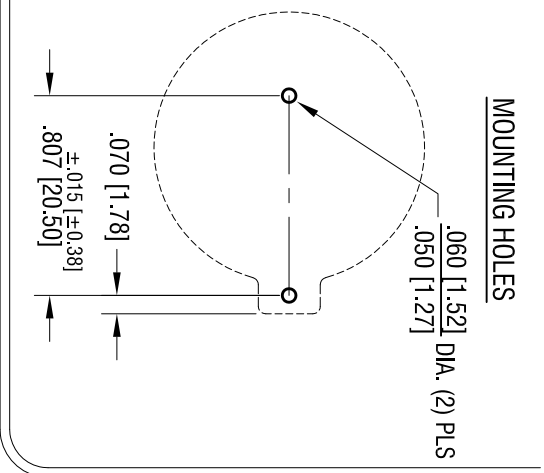


DATE	DESCRIPTION	REV.
9.20.04	CHANGE AS PER ECN 04-113	E
11.02.11	CHANGE AS PER ECN 11-143	F
9.14.15	CHANGE AS PER ECN 15-092	G



ACTUAL SIZE

- NOTES:
1. BASE:  
MATEL - PBT (UL 94V-0), COLOR BLACK
  2. CONTACTS (TOP AND BOTTOM):  
MATEL - .020 [0.50] THK SPRING STEEL  
FINISH: TIN NICKEL PLATE

<b>KEYSTONE ELECTRONICS CORP.</b>			
www.keystec.com • ASTORIA, N.Y. 11105-2017 • Tel (718) 956-8900			
PART NAME COIN CELL PC BATTERY HOLDER			
MATERIAL AS NOTED			
FINISH AS NOTED		DRN BY BOONE	
TOLERANCES DECIMAL ± .010 [± 0.25]		DATE 8.15.84	
ANGULAR ± 1°		App'D LN	
UNLESS OTHERWISE SPECIFIED		SCALE 2X	
CODE C		DWG NO. 106	

# Mouser Electronics

Authorized Distributor

Click to View Pricing, Inventory, Delivery & Lifecycle Information:

[Keystone Electronics:](#)

[106](#)