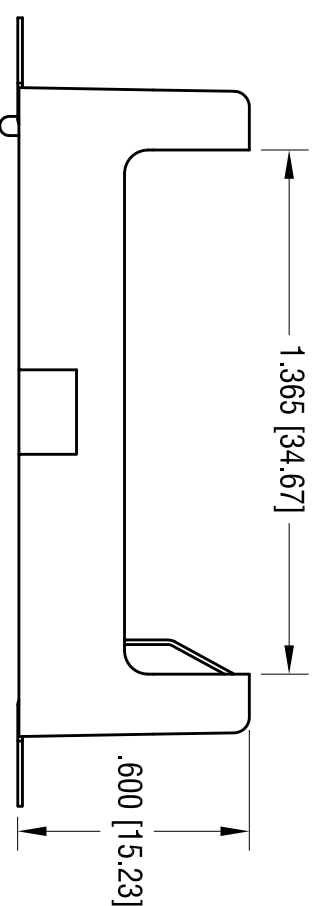
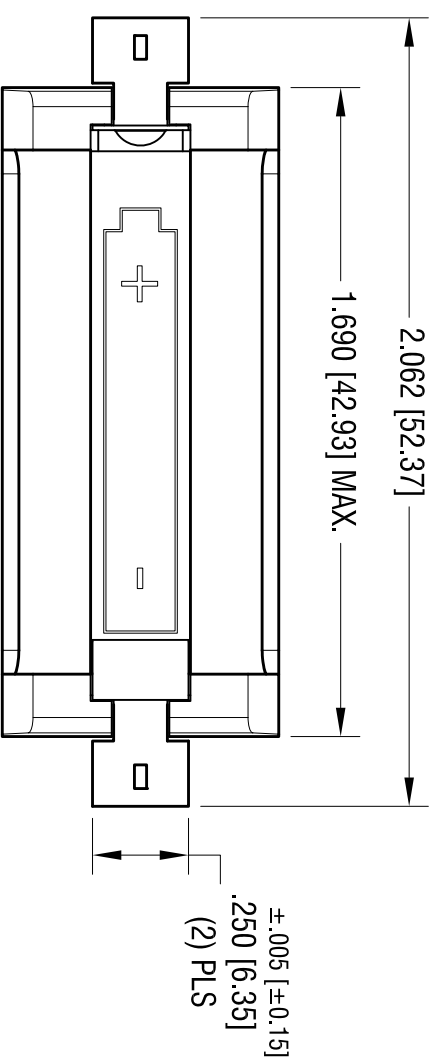
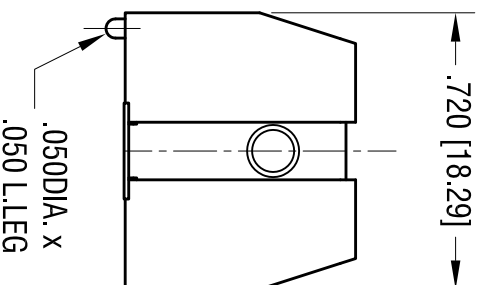
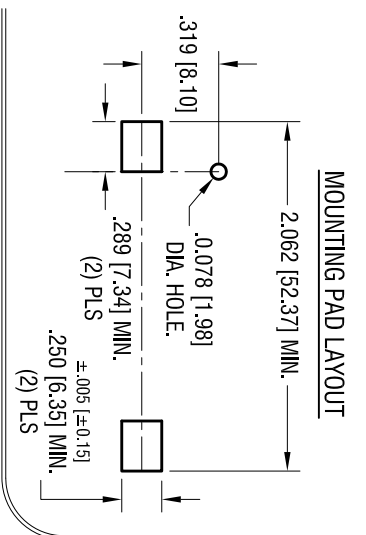


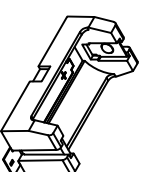
DATE	DESCRIPTION	REV.
8.16.12	CHANGE AS PER ECN 12-107	A
10.08.13	CHANGE AS PER ECN 13-090	B



**NOTE:**

1. BASE:  
MAT'L: HEAT RESISTANCE NYLON (UL94V-0)  
STANYL 46 OR EQUIVALENT
2. CONTACT:  
MAT'L: .012 [0.30] THK STAINLESS STEEL  
FINISH: GOLD FLASH, OVER NICKEL PLATE.

**ACTUAL SIZE**



THIS DOCUMENT IS THE PROPERTY OF KEYSTONE ELECTRONICS CORP. AND SHALL NOT BE REPRODUCED, DISTRIBUTED OR USED AS A BASIS FOR MANUFACTURE WITHOUT PRIOR WRITTEN PERMISSION FROM KEYSTONE ELECTRONICS CORP.

**KEYSTONE ELECTRONICS CORP.**

www.keyelco.com • ASTORIA, N.Y. 11105-2017 • Tel (718) 956-8900

**PART NAME**

SM POLARIZED HOLDER, CR123A

**MATERIAL**

AS NOTED

**FINISH**

AS NOTED

TOLERANCES	INCH	[MM]	CODE	DWG NO.
DECIMAL	± .010	[±	C	1050
ANGULAR	± 1°	]		
UNLESS OTHERWISE SPECIFIED				

DRN BY: NT DATE: 1.19.12

APP'D: LN SCALE: 2X

# Mouser Electronics

Authorized Distributor

Click to View Pricing, Inventory, Delivery & Lifecycle Information:

[Keystone Electronics:](#)

[1050](#)