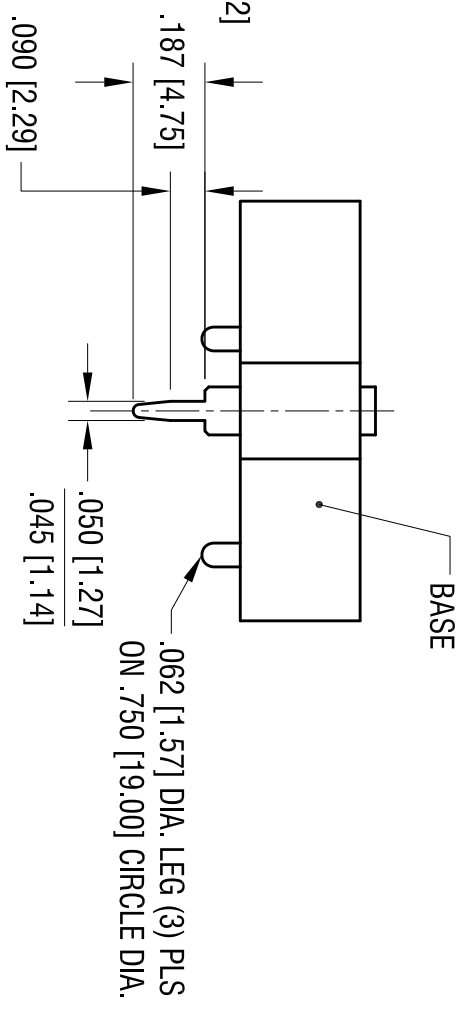
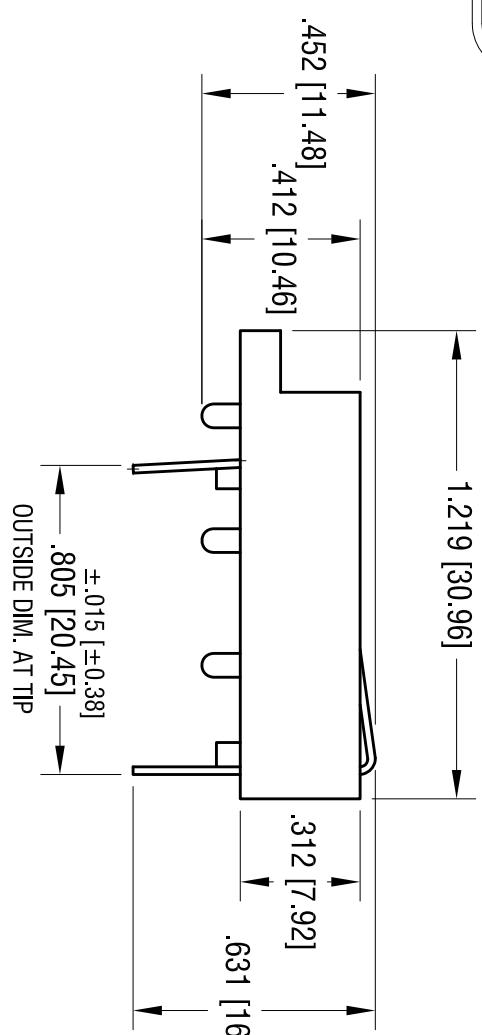
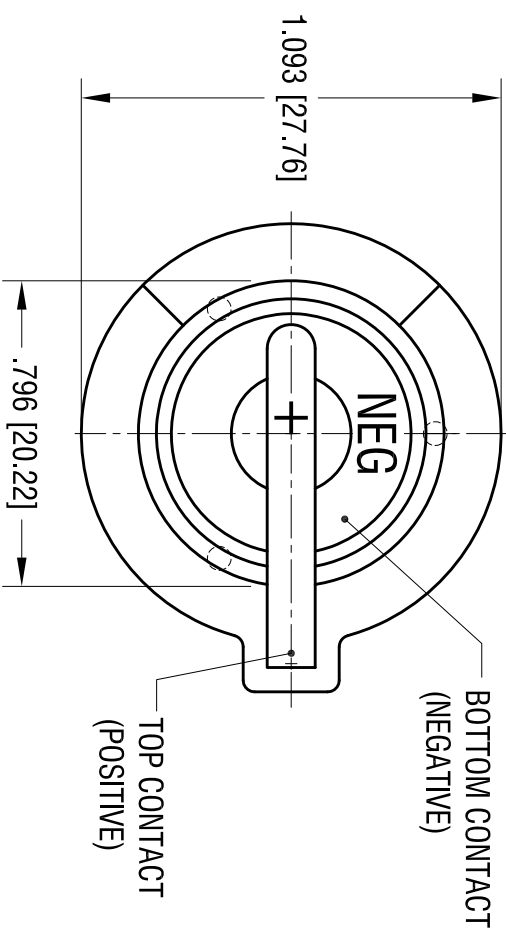
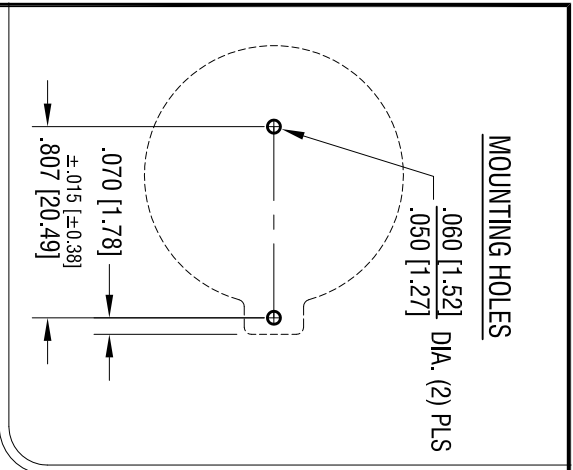
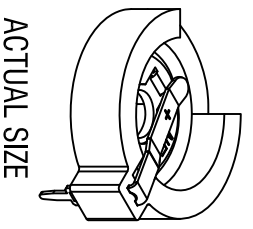


DATE	DESCRIPTION	REV.
9.20.04	CHANGE AS PER ECN 04-116	D
11.02.11	CHANGE AS PER ECN 11-145	E
1.29.21	CHANGE AS PER ECN 21-010	F



- NOTES:
1. BASE:
MATERIAL - PBT (UL 94V-0), COLOR BLACK
 2. CONTACTS (TOP AND BOTTOM):
MATERIAL - .020 [0.50] THK SPRING STEEL
FINISH: TIN NICKEL PLATE



KEYSTONE ELECTRONICS CORP.
www.keystone.com • NEW HYDE PARK, NY 11040 • Tel (516) 328-7500

PART NAME: COIN CELL PC BATTERY HOLDER

MATERIAL: AS NOTED

FINISH: AS NOTED

TOLERANCES: INCH [MM] CODE
DECIMAL ± .010 [± 0.25]
ANGULAR ± 1°
UNLESS OTHERWISE SPECIFIED

DRN BY: BOONE DATE: 8.15.84
App'd: LN SCALE: 2X

1026

THIS DOCUMENT IS THE PROPERTY OF KEYSTONE ELECTRONICS CORP. AND SHALL NOT BE REPRODUCED, DISTRIBUTED OR USED AS A BASIS FOR MANUFACTURE WITHOUT PRIOR WRITTEN PERMISSION FROM KEYSTONE ELECTRONICS CORP.

Mouser Electronics

Authorized Distributor

Click to View Pricing, Inventory, Delivery & Lifecycle Information:

[Keystone Electronics:](#)

[1026](#)