

Board Level Cooling – Narrow Channel TV5



BOARD LEVEL COOLING - Narrow Channel TV5

Narrow Channel TV5 is a narrow channel board level heat sink designed to cool TO-220 and TO-220-single gauge devices. Representative image only.



ORDERING INFORMATION

Part Number	Device Type
TV-5G	TO-220, TO-220-single gauge

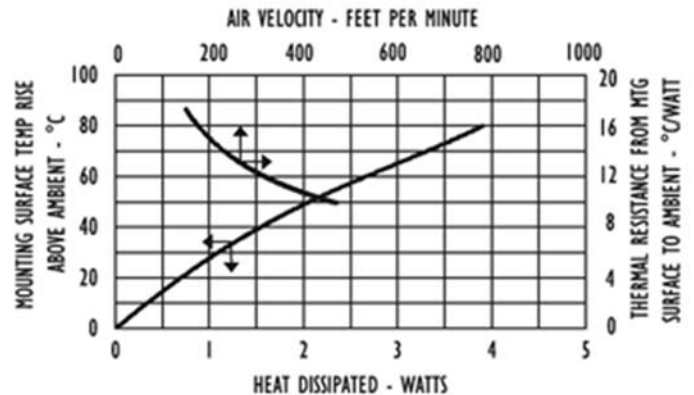
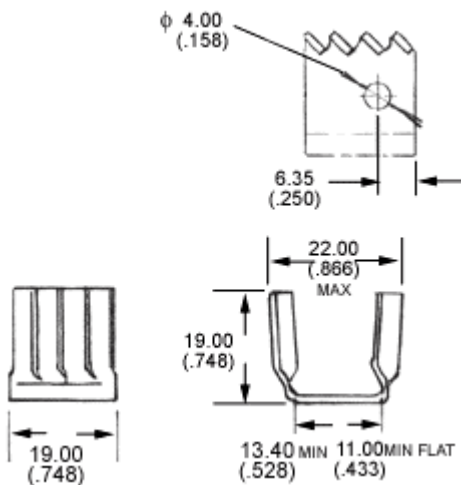
HEAT SINK DETAILS

Property	Details
Material	Aluminum
Finish	Black Anodize
Device Attachment Options	Requires Mounting Kit
Thermal Interface Material	-

Property	Details
Heat Sink Width (mm)	22.0
Heat Sink Length (mm)	19.0
Heat Sink Height (mm)	19.0
Heat Sink Mounting Direction	Vertical

MECHANICAL & PERFORMANCE

Drawing dimensions are shown in mm, (in)



Mouser Electronics

Authorized Distributor

Click to View Pricing, Inventory, Delivery & Lifecycle Information:

[Aavid:](#)

[TV-5G](#)