



BOARD LEVEL COOLING - Channel 5770

Channel 5770 is a series of channel board level heat sinks designed to cool TO-220 and TO-220-single gauge devices. Representative image only.

ORDERING INFORMATION

Part Number	Device Type
577002B00000G	TO-220, TO-220-single gauge
577002B04000G	TO-220, TO-220-single gauge
577102B00000G	TO-220, TO-220-single gauge
577102B04000G	TO-220, TO-220-single gauge
577202B00000G	TO-220, TO-220-single gauge
577202B04000G	TO-220, TO-220-single gauge
6084BG	TO-220, TO-220-single gauge



HEAT SINK DETAILS

Property	Details
Material	Aluminum
Finish	Black Anodize
Device Attachment Options	Mounting Kit Required
Thermal Interface Material	-

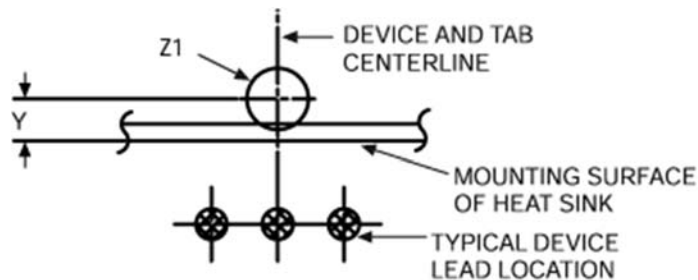
Property	Details
Heat Sink Width (mm)	13.21
Heat Sink Length (mm)	See "H" Dim Below
Heat Sink Height (mm)	19.05
Heat Sink Mounting Direction	Horizontal, Vertical

MECHANICAL & PERFORMANCE

Drawing dimensions are shown in mm, (in)

Part Number	"H" Dim	"Y" Dim	"Z" Dim
577002B00000G	6.35	-	-
577002B04000G	6.35	0.86 (0.034)	1.75 (0.069)
577102B00000G	9.52	-	-
577102B04000G	9.52	0.86 (0.034)	1.75 (0.069)
577202B00000G	12.7	-	-
577202B04000G	12.7	0.86 (0.034)	1.75 (0.069)
6084BG	8.38	-	-

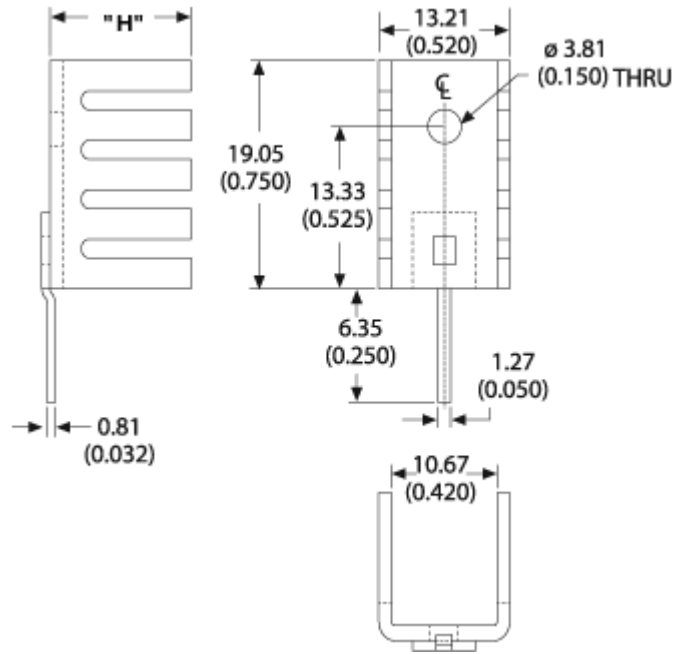
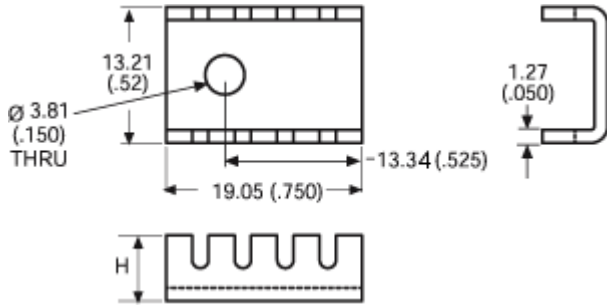
Mounting Details:



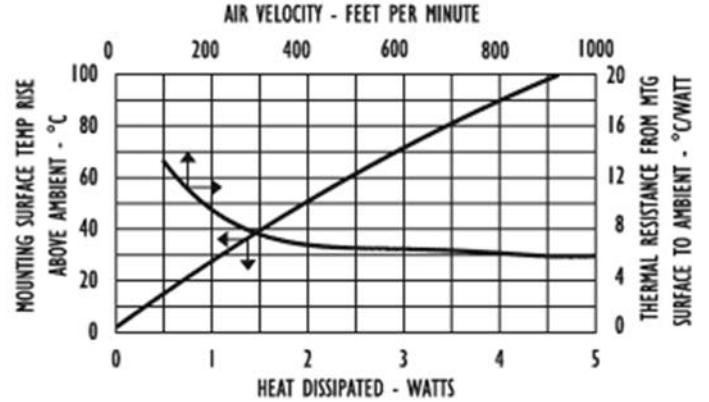
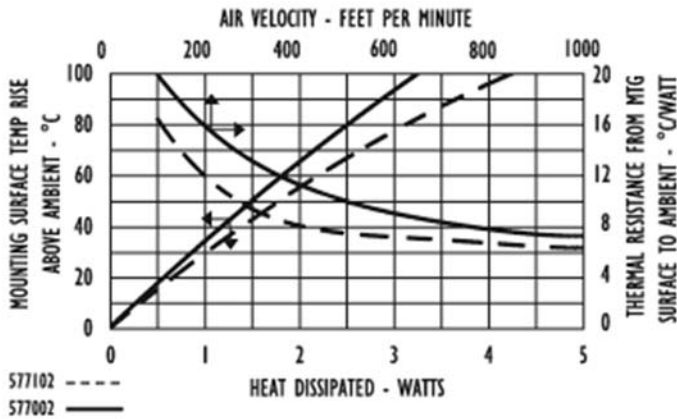
Board Level Cooling – Channel 5770

Part Numbers: 577002B00000G,
577102B00000G, 577202B00000G

Part Numbers: 577002B04000G,
577102B04000G, 577202B04000G

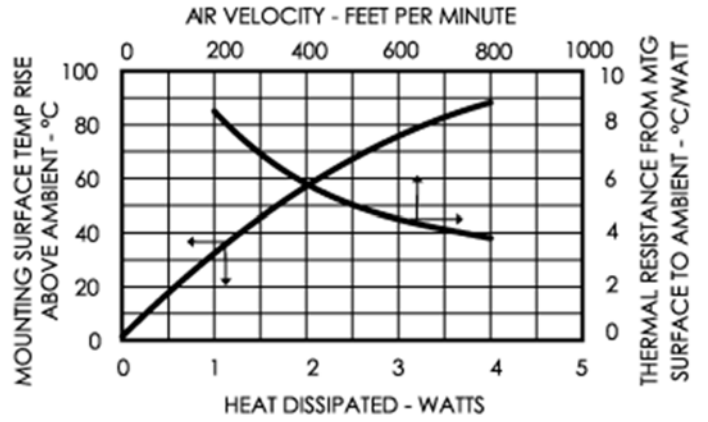
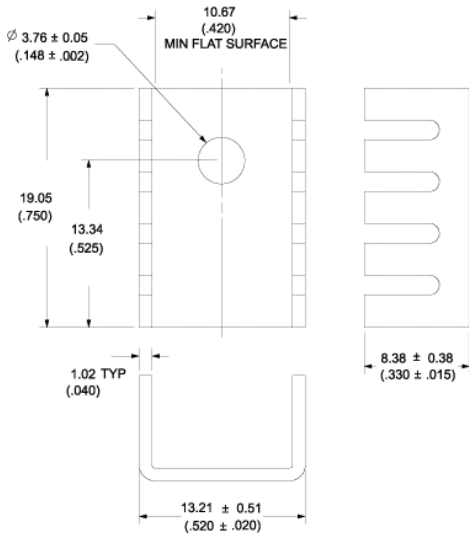


Part Numbers: 577202B00000G,
577202B04000G



Board Level Cooling – Channel 5770

Part Number: 6084BG



Mouser Electronics

Authorized Distributor

Click to View Pricing, Inventory, Delivery & Lifecycle Information:

[Aavid:](#)

[577002B00000G](#) [577102B04000G](#) [577002B04000G](#) [577202B04000G](#) [577202B00000G](#) [577404B00000G](#)
[577102B00000G](#) [577102B04000](#) [577202B04000](#)