

5

4

3

2

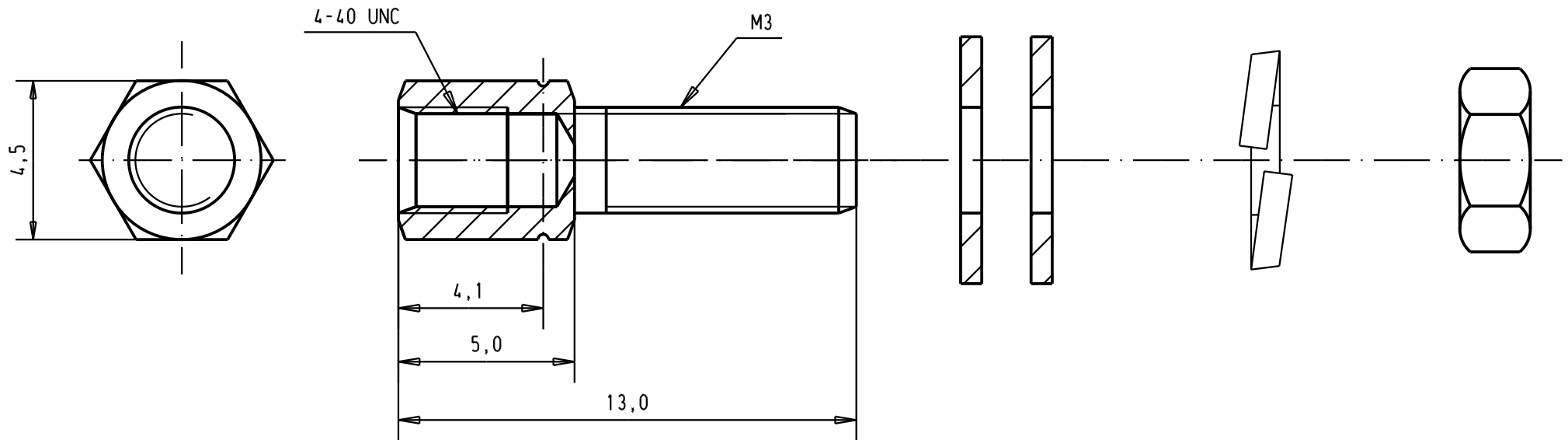
1



D

C

B

A



32837	14/06/05	ED		Dat.	Name	 All Dim. in mm Orig. Size DIN A 4	D-Sub, Female screw lock UNC 4-40 / M3, nickel plated, with 2 flat washers, spring washer and nut	Maßstab/ Scale 6:1
32706	10/02/05	AL	Detail.	27/05/04	JH			
31910	27/05/04	JH	Insp.					
29760	28/03/02	CV	Stand.					
23231	28/07/98	PP	HARTING EURL F-95972 Paris				TB 09670009924	Blatt/ Page 1 /
21221	18/07/97	MF						
Mod.	Dat.	Name						
							Sub.	

Mouser Electronics

Authorized Distributor

Click to View Pricing, Inventory, Delivery & Lifecycle Information:

[HARTING:](#)

[09670009924](#)