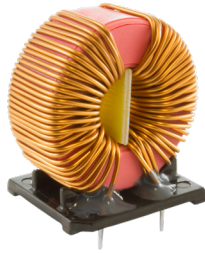


# THT Common Mode Chokes

PH9455.XXXNL Series



- Ⓢ **Dielectric Strength:** 1500Vrms (380Vrms continuous)
- Ⓢ **Inductance Range:** 1.00mH (at 22.0A) to 82.0mH (at 3.0A)
- Ⓢ **Height:** 28.0mm Max
- Ⓢ **Footprint:** 12.6mm x 10.0mm

## Electrical Specifications @ 25°C - Operating Temperature -40°C to +125°C

| Part Number  | Inductance<br>(1-4)=(2-3)<br>(mH +50%/-30%) | Current Rating<br>(1-4)=(2-3) <sup>1</sup><br>(A) | DCR<br>(1-4)=(2-3)<br>(mΩ Max) | Self Resonant<br>Frequency<br>(1-4)=(2-3)<br>(MHz Min) | Impedance<br>(kOhms Min at SRF) |
|--------------|---|---|--------------------------------|--|---------------------------------|
| PH9455.105NL | 1.00  | 22  | 2.10                           | 15.94  | 1.5                             |
| PH9455.155NL | 1.62  | 19  | 3.20                           | 10.00  | 1.8                             |
| PH9455.205NL | 2.20  | 16  | 4.50                           | 8.39   | 2.6                             |
| PH9455.405NL | 4.50  | 12  | 8.50                           | 4.00   | 4.4                             |
| PH9455.705NL | 6.50  | 9   | 14.0                           | 1.52   | 6.4                             |
| PH9455.156NL | 15.0  | 6   | 30.0                           | 0.76   | 10                              |
| PH9455.356NL | 35.0  | 4   | 80.0                           | 0.33   | 21                              |
| PH9455.826NL | 82.0  | 3   | 150                            | 0.13   | 37                              |

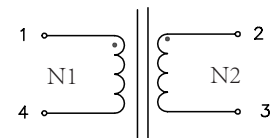
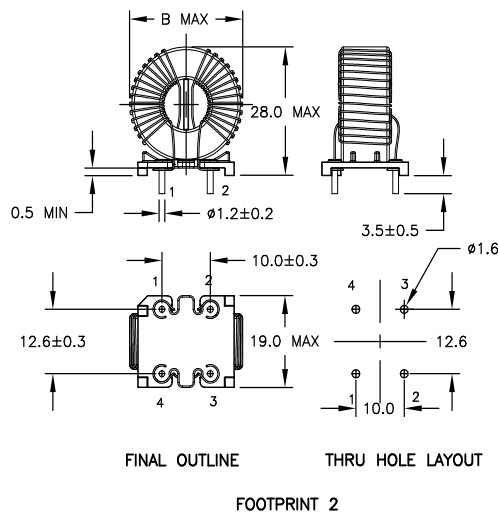
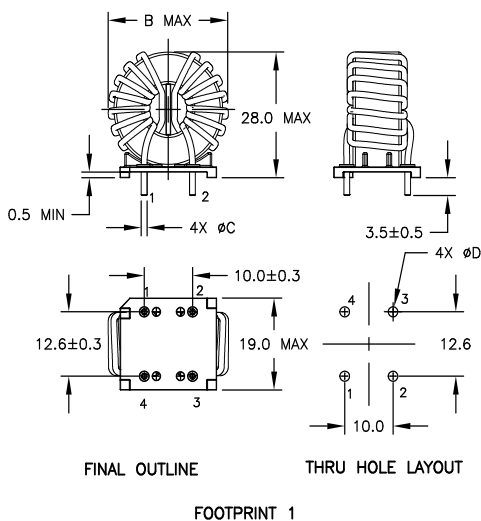
### Notes:

1. The current rating (Irated) is based upon the temperature rise of the component and represents the rms current which will cause a typical temperature rise of 55°C.

## Mechanical

## Schematic

### PH9455.XXXNL



| PART NUMBER  | B    | C         | D    | FOOTPRINT |
|--------------|------|-----------|------|-----------|
| PH9455.105NL | 30.0 | 1.63±0.20 | 2.10 | 1         |
| PH9455.155NL |      | 1.45±0.20 | 1.90 |           |
| PH9455.205NL |      | 1.29±0.20 | 1.70 |           |
| PH9455.405NL | 27.0 | 1.15±0.20 | 1.50 | 2         |
| PH9455.705NL |      | 1.02±0.20 | 1.45 |           |
| PH9455.156NL |      |           |      |           |
| PH9455.356NL |      |           |      |           |
| PH9455.826NL |      |           |      |           |

**Weight (TYP)** .....20grams

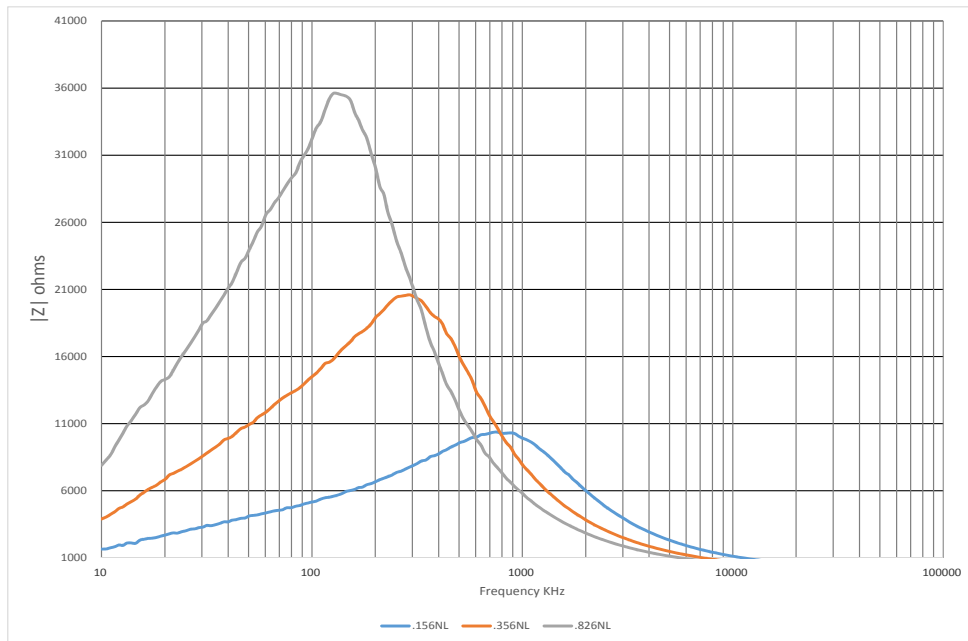
**Tray** .....45/tray

**Dimensions: mm**

Unless otherwise specified, all tolerance are ±0.25

# THT Common Mode Chokes

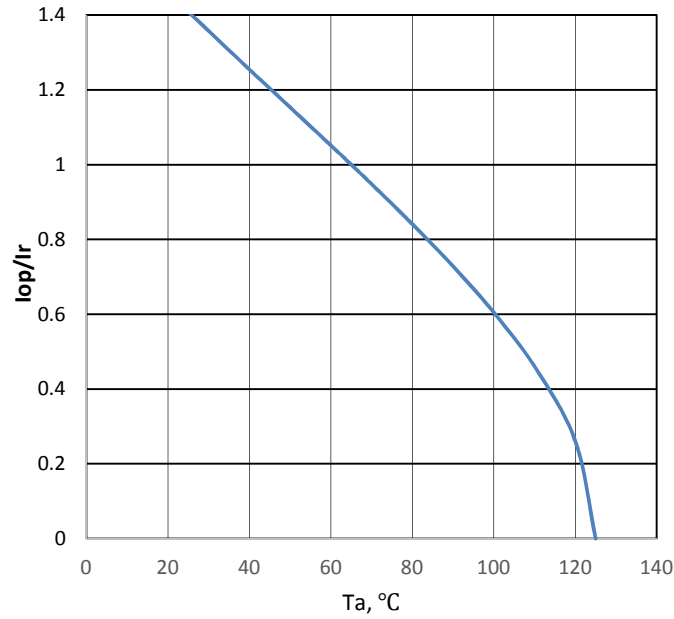
PH9455.XXXNL Series



# THT Common Mode Chokes

PH9455.XXXNL Series

Current derating  $I_{op}/I_r$   
versus ambient temperature  $T_a$



## For More Information:

Americas - [prodinfo\\_power@pulseelectronics.com](mailto:prodinfo_power@pulseelectronics.com) | Europe - [power-apps-europe@pulseelectronics.com](mailto:power-apps-europe@pulseelectronics.com) | Asia - [power-apps-asia@pulseelectronics.com](mailto:power-apps-asia@pulseelectronics.com)

Performance warranty of products offered on this data sheet is limited to the parameters specified. Data is subject to change without notice. Other brand and product names mentioned herein may be trademarks or registered trademarks of their respective owners. © Copyright, 2020. Pulse Electronics, Inc. All rights reserved.

# Mouser Electronics

Authorized Distributor

Click to View Pricing, Inventory, Delivery & Lifecycle Information:

Pulse:

[PH9455.705NL](#) [PH9455.155NL](#) [PH9455.105NL](#) [PH9455.356NL](#) [PH9455.205NL](#) [PH9455.405NL](#) [PH9455.156NL](#)  
[PH9455.826NL](#)