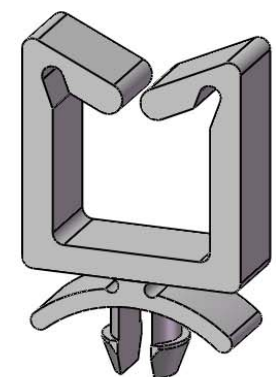
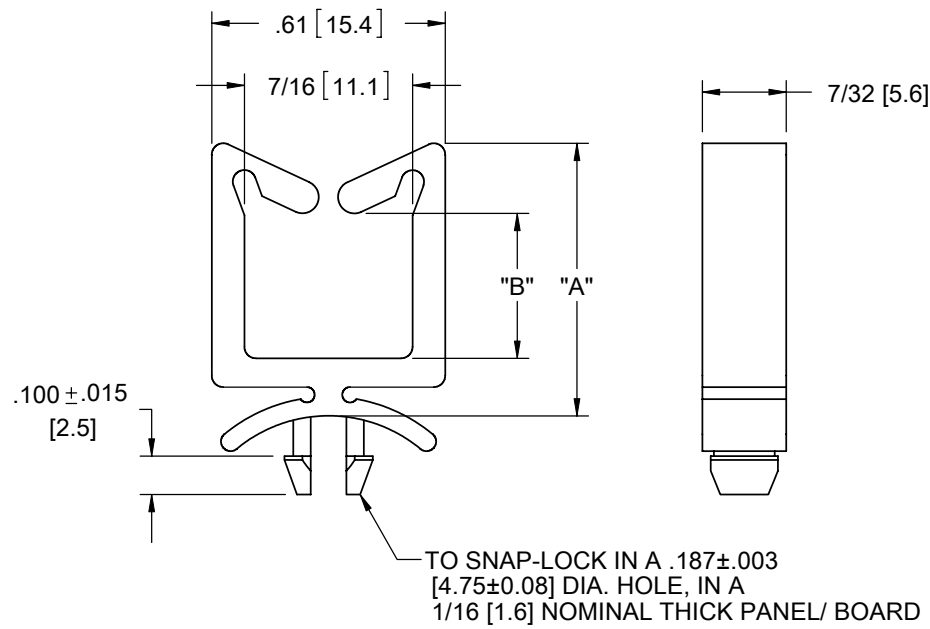


PART NO.		DIM. "A" REF	DIM. "B" REF
NYLON 6/6 UL 94 V-2 (RMS-01)	NYLON 6/6 UL 94 V-0 (RMS-19)		
WS-1-01	WS-1-19	.52 [13.2]	.19 [4.8]
WS-2-01	WS-2-19	.71 [18]	.38 [9.7]
WS-3-01	WS-3-19	1.07 [27.2]	.74 [18.8]
WS-4-01	WS-4-19	1.38 [35]	1.05 [26.7]



- NOTES:  
 1. COLOR: NATURAL.  
 2. ALTERNATE UNITS FOR REFERENCE ONLY.

TITLE: <b>WIRE SADDLE</b>					DWG IN IN [MM]	
CREATED USING SOLIDWORKS	FILE #: WS	DWN: SK	APP: RT	FINAL		
TOLERANCES UNLESS NOTED .XX=±.010 .XXX=±.005 FRAC.=±1/64 ANG.=±1°	SHEET: 1 OF 1	SHEET SIZE: A	DT: 06/13/07	CHKD: RG	PART #	PRINT TYPE
RE: RICHCO, INC.	RICHCO, INC. ENG@RICHCO-INC.COM (773) 539-4060		SEE TABLE		CA	
C	REDRAWN, SEE ECN #1333 FOR CHANGES	SK	06/13/07			
-	SEE ENGINEERING FOR REV A-B	-	----			
REV.	DESCRIPTION	ENGR.	DATE			

# Mouser Electronics

Authorized Distributor

Click to View Pricing, Inventory, Delivery & Lifecycle Information:

[Essentra:](#)

[WS-1-01](#) [WS-1-19](#) [WS-2-01](#) [WS-2-19](#) [WS-3-01](#) [WS-3-19](#) [WS-4-01](#) [WS-4-19](#)