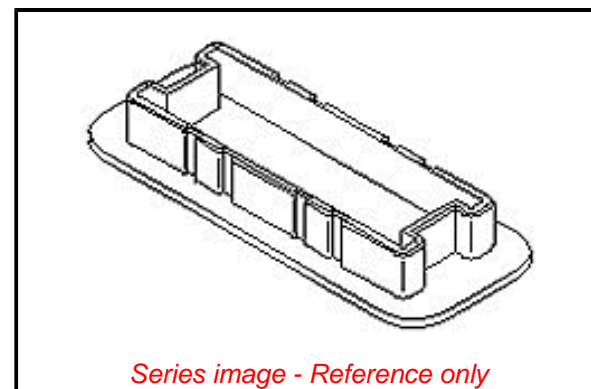


**PLEASE CHECK WWW.MOLEX.COM FOR LATEST PART INFORMATION**

**Part Number:** [0512010001](#)  
**Status:** **Active**  
**Overview:** [HMC Heavy Duty Rectangular Connectors](#)  
**Description:** HMC Rectangular Industrial Dust Cover for Panel-Mount Bracket, Multi-Module Type, 36 Circuits

**Documents:**

<a href="#">3D Model</a>	<a href="#">Application Specification AS-58696-004-001 (PDF)</a>
<a href="#">3D Model (PDF)</a>	<a href="#">Application Specification AS-58696-005-001 (PDF)</a>
<a href="#">Drawing (PDF)</a>	<a href="#">Application Specification AS-58696-006-001 (PDF)</a>
<a href="#">Product Specification PS-58691-004-001 (PDF)</a>	<a href="#">RoHS Certificate of Compliance (PDF)</a>



**General**

Product Family	I/O Connectors
Series	<a href="#">51201</a>
Application	Panel-Mount
Component Type	Dust Cover for Panel-Mount Bra
Overview	<a href="#">HMC Heavy Duty Rectangular Connectors</a>
Product Name	HMC
Type	N/A
UPC	800753247277

**Physical**

Circuits (Loaded)	36
Circuits (maximum)	0
Gender	N/A
Lock to Mating Part	Yes
Material - Plating Mating	N/A
Net Weight	10600.000/mg
Orientation	Vertical
Packaging Type	Bag
Panel Mount	N/A
Pitch - Mating Interface	N/A
Polarized to Mating Part	Yes
Temperature Range - Operating	-55° to +125°C
Termination Interface: Style	N/A
Waterproof / Dustproof	Yes
Waterproof / Dustproof Type	IP65

**Electrical**

Current - Maximum per Contact	12.0A
-------------------------------	-------

**Material Info**

**Reference - Drawing Numbers**

Application Specification	AS-58696-004-001, AS-58696-005-001, AS-58696-006-001
Product Specification	PS-58691-004-001
Sales Drawing	SD-51201-002

**EU ELV**

**Not Relevant**

**EU RoHS**

**Compliant**

**REACH SVHC**

Not Contained Per -  
D(2020)4578-DC (25  
June 2020)

**Halogen-Free**

**Status**

**Not Low-Halogen**

For more information, please visit [Contact US](#)

China ROHS

ELV

RoHS Phthalates

**China RoHS**

Green Image

Not Relevant

Not Contained

**Search Parts in this Series**

[51201 Series](#)

**Use With**

5869100\*0 Panel Mount Bracket

# Mouser Electronics

Authorized Distributor

Click to View Pricing, Inventory, Delivery & Lifecycle Information:

[Molex:](#)

[51201-0001](#)