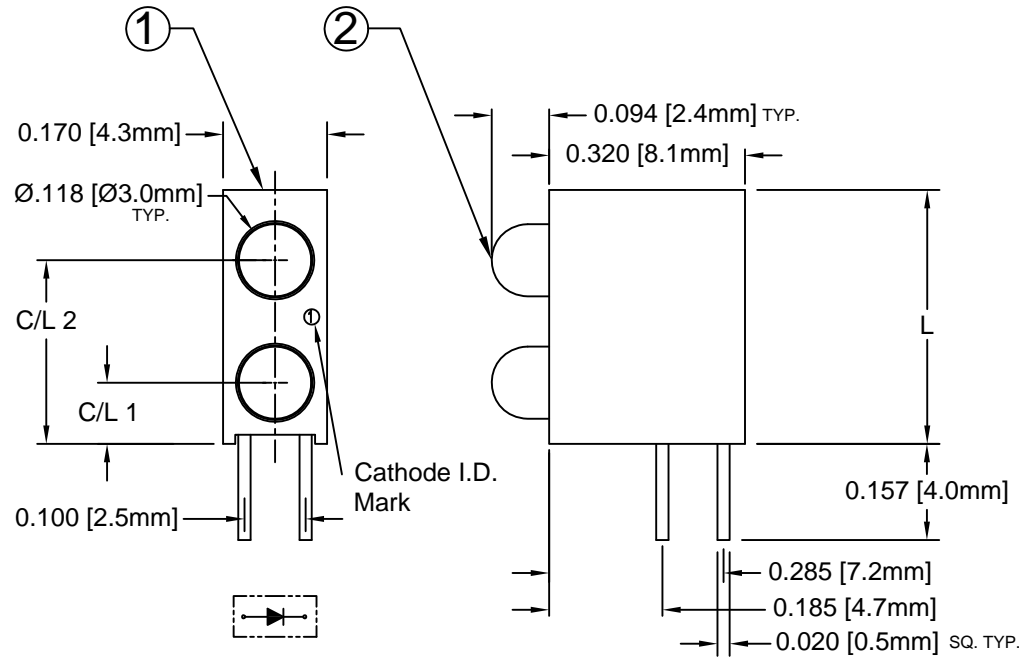
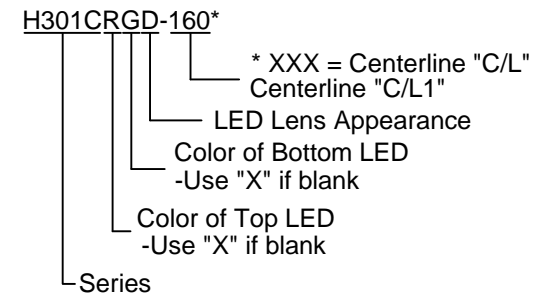


ITEM	Q'TY	PART NUMBER	PART DESCRIPTION
1	1	H-301C-1-XXX	T-1 (3mm) Bi-Level LED Holder, 90° Mount, Var. C/L
2	2	3XX-S	T-1 (3mm) N-Flange Shouldered LED, See Page 2

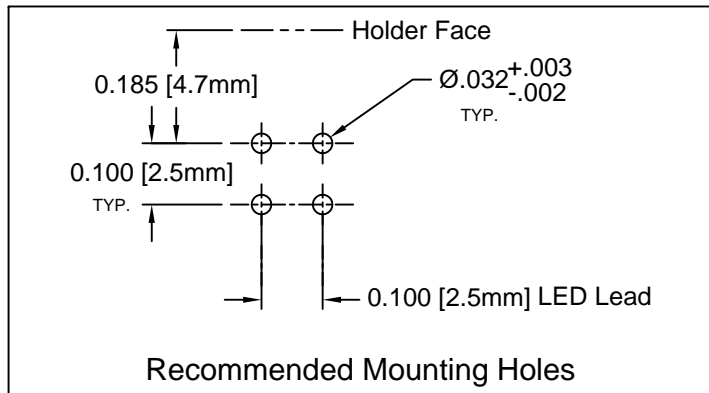
REV.	DESCRIPTION	DATE	APPROVED
A	Engineering Update w/o Changes	03/10/04	M. C.
B	LED Package Change to 3XX-S LEDs	12/14/07	M. C.
C	Added H301CSRC-XXX Spec	03/04/08	M. C.
D	Added P/N Designation Note	08/19/09	T. Y.
E	Engineering Update w/o Changes	06/24/16	J. C.



**PART NUMBER DESIGNATION**




-If all LEDs are the same, use e.g. H301CRD-100  
 -All Red LEDs



Available Centerlines			
XXX	C/L 1	C/L 2	L
100	.100 (2.5)	.300 (7.6)	.415 (10.6)
120	.120 (3.0)	.320 (8.1)	.435 (11.0)
140	.140 (3.6)	.340 (8.6)	.455 (11.6)
160	.160 (4.1)	.360 (9.1)	.475 (12.1)
180	.180 (4.6)	.380 (9.7)	.495 (12.6)


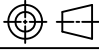
**ABSOLUTE MAXIMUM RATINGS (Ta=25° C)**

REVERSE VOLTAGE \_\_\_\_\_ 5V  
 REVERSE CURRENT \_\_\_\_\_ 100uA  
 OPERATING TEMPERATURE RANGE \_\_\_\_\_ -25° C - 85° C  
 STORAGE TEMPERATURE \_\_\_\_\_ -30° C - 100° C  
 LEAD SOLDERING TEMPERATURE(1/16" FROM BODY) \_\_\_\_\_ 260° C FOR 5 SECONDS

STANDARD TOLERANCE (UNLESS OTHERWISE SPECIFIED) DECIMALS .X ± .1 .XX ± .02 .XXX ± .010	ANGULAR X° ± 1°	 4 THOMAS, IRVINE, CA. 92618 TEL: (949) 951-8808 FAX: (949) 951-3974	
DESIGNED: <b>T. Yin</b>	DATE: <b>03/10/04</b>	<b>PART NO:</b> H301CXX-XXX	REVISION: <b>E</b>
CHECKED: <b>D. Green</b>	DATE: <b>03/10/04</b>		<b>CAGE CODE :</b> 32559
CAD GENERATED DOCUMENT. DO NOT MEASURE DRAWING.			

REV.	DESCRIPTION	DATE	APPROVED
	SEE SHEET #1		

LED Assy. No.	Peak Wave Length $\lambda_p$ (nm)	Emitted Color	Lens Appearance	Electro-Optical Data				Viewing Angle $2\theta_{1/2}$ (Deg)	LED P/N
				I <sub>f</sub> (mA)	V <sub>f</sub> (V)		I <sub>v</sub> (mcd)		
				TYP	TYP	MAX	TYP		
<b>STANDARD</b>				<b>Data @ 20mA</b>					
H301CBWD-XXX	430	BLUE	DIFFUSED	20	4.0	4.5	10	40	3BWD-S
H301CGD-XXX	568	GREEN	DIFFUSED	20	2.1	2.8	25	40	3GD-S
H301CSGC-XXX	568	SUPER GREEN	WATER CLEAR	20	2.1	2.8	50	30	3SGC-S
H301CSGD-XXX	568	SUPER GREEN	DIFFUSED	20	2.1	2.8	30	40	3SGD-S
H301CSGT-XXX	568	SUPER GREEN	TINTED	20	2.1	2.8	50	30	3SGT-S
H301CYD-XXX	590	YELLOW	DIFFUSED	20	2.0	2.8	20	40	3YD-S
H301CHD-XXX	625	HE RED	DIFFUSED	20	2.0	2.8	30	40	3HD-S
H301CRD-XXX	700	RED	DIFFUSED	20	2.1	2.8	2	40	3RD-S
H301CSR-XXX	645	SUPER RED	DIFFUSED	20	1.7	2.4	40	40	3SRD-S
H301CSRC-XXX	645	SUPER RED	WATER CLEAR	20	1.7	2.4	60	30	3SRC-S
<b>LOW CURRENT</b>				<b>Data @ 2mA</b>					
H301CGDL-XXX	568	GREEN	DIFFUSED	2	2.1	2.6	2	40	3GDL-S
H301CYDL-XXX	590	YELLOW	DIFFUSED	2	2.0	2.6	2	40	3YDL-S
H301CHDL-XXX	625	HE RED	DIFFUSED	2	2.0	2.6	3	40	3HDL-S
<b>5 VOLT</b>				<b>Data @ 5V</b>					
H301CGD5V-XXX	568	GREEN	DIFFUSED	8	-	5.0	25	40	3GD5V-S
H301CYD5V-XXX	590	YELLOW	DIFFUSED	8	-	5.0	20	40	3YD5V-S
H301CHD5V-XXX	625	HE RED	DIFFUSED	8	-	5.0	30	40	3HD5V-S

STANDARD TOLERANCE (UNLESS OTHERWISE SPECIFIED) $\pm 10\%$ ALL VALUES    ANGULAR		 4 THOMAS, IRVINE, CA. 92618 TEL: (949) 951-8808    FAX: (949) 951-3974	
			
DESIGNED: <b>T. Yin</b>	DATE: <b>03/10/04</b>	TITLE: T-1 (3MM) 90° BI-LEVEL VAR. C/L LED ASSY	REVISION: <b>E</b>
CHECKED: <b>D. Green</b>	DATE: <b>03/10/04</b>	PART NO: <b>H301CXX-XXX</b>	CAGE CODE : 32559    SHEET # 2 OF 2
CAD GENERATED DOCUMENT. DO NOT MEASURE DRAWING.			

# Mouser Electronics

Authorized Distributor

Click to View Pricing, Inventory, Delivery & Lifecycle Information:

## BIVAR:

[H301CGD-120](#) [H301CGYDL-120](#) [H301CGDL-160](#) [H301CHDL-140](#) [H301CHDL-180](#) [H301CHGD-100](#) [H301CSRC-100](#) [H301CSRDL-100](#) [H301CYD-180](#) [H301CGDL-140](#) [H301CGDL-180](#) [H301CGHD-180](#) [H301CGYD-180](#)  
[H301CHDL-100](#) [H301CHDL-120](#) [H301CYDL-100](#) [H301CYDL-120](#) [H301CYDL-140](#) [H301CGD-140](#) [H301CGD-160](#)  
[H301CGDL-100](#) [H301CGRD-140](#)