

Zonex Hinge Cover



HOFFMAN

ATEX - AND IECEX - CERTIFIED



INDUSTRY STANDARDS

ATEX Directive 94/9/EC

Sira 09ATEX3224U

Ex e IIC Gb

Ex tb IIIC Db IP 66

EN60079-0:2009

EN60079-7:2007

EN61241-0:2006

EN61241-1:2004

IECEX

IECEX SIR 09.0099U

Ex e IIC Gb

Ex tb IIIC Db IP 66

IEC 60079-0:2007-2010

IEC 60079-7:2006-2007

IEC 61241-0:2004

IEC 61241-1:2004

Type 4, 4X, 12; File No. E61997

cUL C22.2 No. 94 Listed; Type 4, 4X, 12; File No. E61997

NEMA/EEMAC Type 4, 4X, 12
IEC 60529, IP66



NEMA 4X enclosure (as a component) is suitable and complies with NEC Class I, Division 2, Groups A, B, C, D assemblies* (as a component) is suitable and complies with NEC Class I, Division 2, Groups A, B, C, D assemblies*

* with properly evaluated assemblies using terminal blocks and/or approved Class I, Division 1 or 2 (no arcs, sparks or hot surfaces) devices installed within the enclosure in accordance with NEC/CEC requirements (reference NEC 2011 Article 501.10(B)(4) and NEC 2011 Handbook).
Note: this is not an Explosion Proof enclosure.

Zonex enclosures are designed and certified to meet ATEX Directive 94/9/EC as well as IECEX standards for increased safety in housing electrical components in Zone 1 and Zone 2 applications.

HOFFMAN ATEX Ex e enclosures are not intended for use in Explosion Proof or flame-proof applications.

APPLICATION

Zonex enclosures deliver a robust solution for termination and junction enclosure applications in potentially hazardous locations, including:

- Petroleum and chemical processing
- Water treatment processing
- Pharmaceutical processing
- Grain processing

SCOPE OF DELIVERY

- Enclosure
- Gland plate (assembled)
- Mounting plate (assembled)
- Assembly kit
- Installation instruction
- ATEX declaration of conformity

FEATURES

- 210 degree opening door that is easily removal by pulling clip style hinge pins
- Fabricated and formed M5 threads for gland plate screws provide quick and easy installation

SPECIFICATIONS

- 10 mm brass internal/external bonding provision
- Type 316L stainless steel quarter-turn latch with double bit 3 mm insert
- Large 2,5 mm thick, flat gasketed gland plate(s)
- Continuous seal gasket on door and gland plate(s)
- Mounting panel and hardware for bonding provisions included
- Operating temperature range: -40 °C to +70 °C standard polyurethane gasket; -55 °C to +180 °C optional silicone gasket
- 320 grain brushed finish
- Fabricated from Type 316L stainless steel
- 2,5 mm thick individual welded-on top and bottom wall-mounting brackets

OPTIONS FOR MODIFICATION

nVent excels at modifying and customizing products to your specifications. nVent offers a Zonex-specific modification program with ATEX certification. Contact your local sales office or distributor for complete information.

- Material changes: Type 304 stainless steel, painted mild steel or aluminum
- Gasket changes: high-temperature silicone gasket; operating temperature range: -55 °C to +180 °C
- Side-mount brackets available
- Holes and cutouts
- Paint
- Ground bars
- Terminal block installation and marking
- Tagging (terminals, nameplates)
- Accessory installations: drain/breathers and stopping plugs

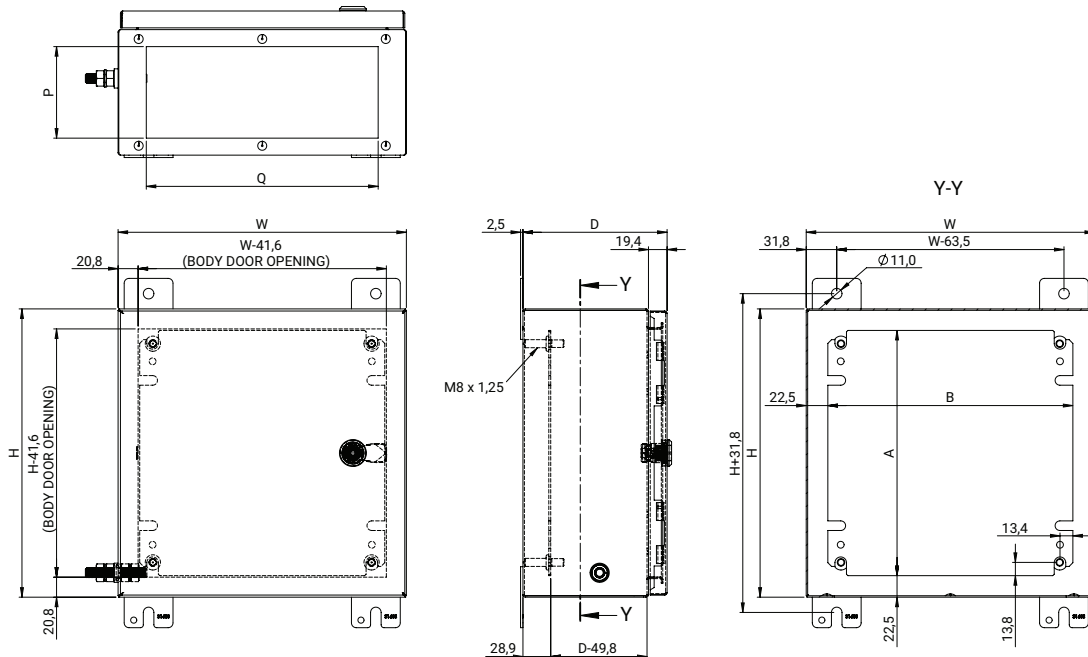
NOTE

Intrinsically safe terminal blocks can be installed in populated non-standard enclosures.

IECEx populated enclosures require IECEx-certified components specifically listed in certification (See IECEx SIR 09.0100 for more details).

Item number	Description	H [mm]	W [mm]	D [mm]	Q [mm]	P [mm]	No. of Latches
15411282	EXE300300150SS61E Zonex EX e StSt316L IP66 door	300	300	150	236.5	73.5	1
15411283	EXE300300210SS61E Zonex EX e StSt316L IP66 door	300	300	210	236.5	133.5	1
15411284	EXE400300150SS61E Zonex EX e StSt316L IP66 door	400	300	150	236.5	73.5	1
15411285	EXE400300210SS61E Zonex EX e StSt316L IP66 door	400	300	210	236.5	133.5	1
15411286	EXE400400150SS61E Zonex EX e StSt316L IP66 door	400	400	150	336.5	73.5	1
15411287	EXE400400210SS61E Zonex EX e StSt316L IP66 door	400	400	210	336.5	133.5	1
15411288	EXE500400150SS61E Zonex EX e StSt316L IP66 door	500	400	150	336.5	73.5	1
15411289	EXE500400210SS61E Zonex EX e StSt316L IP66 door	500	400	210	336.5	133.5	1
15411290	EXE500500210SS61E Zonex EX e StSt316L IP66 door	500	500	210	436.5	133.5	1
15411291	EXE600500210SS61E Zonex EX e StSt316L IP66 door	600	500	210	436.5	133.5	2
15411292	EXE600600210SS61E Zonex EX e StSt316L IP66 door	600	600	210	536.5	133.5	2
15411293	EXE600600300SS61E Zonex EX e StSt316L IP66 door	600	600	300	536.5	223.5	2
15411294	EXE750500210SS61E Zonex EX e StSt316L IP66 door	750	500	210	436.5	133.5	2
15411295	EXE750600210SS61E Zonex EX e StSt316L IP66 door	750	600	210	536.5	133.5	2
15411296	EXE750750300SS61E Zonex EX e StSt316L IP66 door	750	750	300	686.5	223.5	2
15411297	EXE900600210SS61E Zonex EX e StSt316L IP66 door	900	600	210	536.5	133.5	2
15411262	EXE300300150SS61HE Zonex EX e StSt316L IP66 door	300	300	150	236.5	73.5	1
15411263	EXE300300210SS61HE Zonex EX e StSt316L IP66 door	300	300	210	236.5	133.5	1
15411264	EXE400300150SS61HE Zonex EX e StSt316L IP66 door	400	300	150	236.5	73.5	1
15411265	EXE400300210SS61HE Zonex EX e StSt316L IP66 door	400	300	210	236.5	133.5	1
15411266	EXE400400150SS61HE Zonex EX e StSt316L IP66 door	400	400	150	336.5	73.5	1
15411267	EXE400400210SS61HE Zonex EX e StSt316L IP66 door	400	400	210	336.5	133.5	1
15411268	EXE500400150SS61HE Zonex EX e StSt316L IP66 door	500	400	150	336.5	73.5	1
15411269	EXE500400210SS61HE Zonex EX e StSt316L IP66 door	500	400	210	336.5	133.5	1
15411270	EXE500500210SS61HE Zonex EX e StSt316L IP66 door	500	500	210	436.5	133.5	1
15411271	EXE600500210SS61HE Zonex EX e StSt316L IP66 door	600	500	210	436.5	133.5	2
15411272	EXE600600210SS61HE Zonex EX e StSt316L IP66 door	600	600	210	536.5	133.5	2
15411273	EXE600600300SS61HE Zonex EX e StSt316L IP66 door	600	600	300	536.5	223.5	2
15411274	EXE750500210SS61HE Zonex EX e StSt316L IP66 door	750	500	210	436.5	133.5	2
15411275	EXE750600210SS61HE Zonex EX e StSt316L IP66 door	750	600	210	536.5	133.5	2
15411276	EXE750750300SS61HE Zonex EX e StSt316L IP66 door	750	750	300	686.5	223.5	2
15411277	EXE900600210SS61HE Zonex EX e StSt316L IP66 door	900	600	210	536.5	133.5	2

* HE - enclosure with horizontal mounting brackets



nVent.com

Our powerful portfolio of brands:

CADDY ERICO HOFFMAN RAYCHEM SCHROFF TRACER