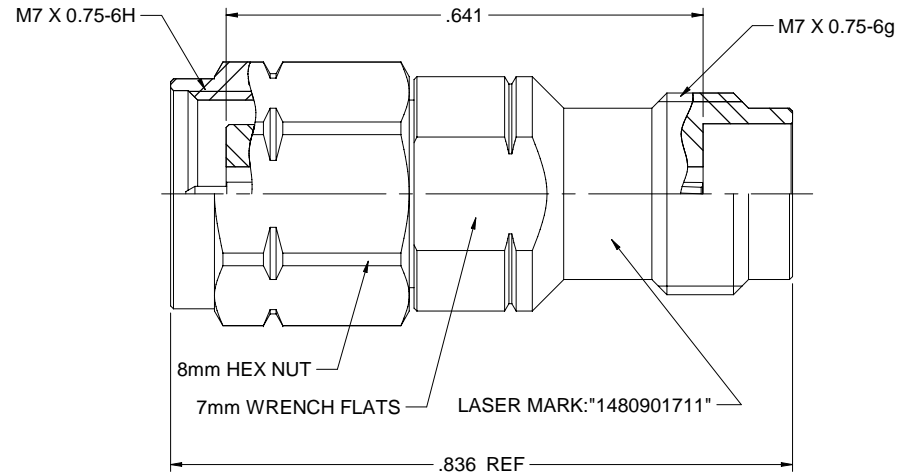


MODEL NO.	PACKAGING
148-0901-711	ONE PCS PER BAG

REV	ECO	DATE
001	ECO-17-0033	12/18/2017
002	ECO-18-0020	08/21/2018



NOTES: UNLESS OTHERWISE SPECIFIED

1. MATERIAL & FINISH:

- 1.1 BODY & SHELL: PASSIVATED STAINLESS STEEL
- 1.2 CONTACT PIN : GOLD PLATED BERYLLIUM COPPER
- 1.3 INSULATOR: ULTEM 1000 AMBER
- 1.4 GASKET: SILICONE RED
- 1.5 C RING: BERYLLIUM COPPER

2. ELECTRICAL:

- 2.1 IMPEDANCE: 50 OHMS
- 2.2 FREQUENCY RANGE: DC-67 GHZ
- 2.3 VOLTAGE STANDING WAVE RATIO: 1.2 MAX
- 2.4 INSERTION LOSS: 0.05 X/F (GHZ)DB MAX
- 2.5 DIELECTRIC WITHSTANDING VOLTAGE: 500 VRMS MIN
- 2.6 CONTACT RESISTANCE: CENTER CONTACT: 4 MILLIOHMS MAX
OUTER CONTACT: 2.5 MILLIOHMS MAX
- 2.7 INSULATION RESISTANCE: 5000 MOHM MIN

3. MECHANICAL:

- 3.1 ENGAGEMENT/ DISENGAGEMENT FORCE: 0.23 NM MAX
- 3.2 COUPLING PROOF TORQUE: 1.65 NM MIN
- 3.3 COUPLING NUT RETENTION: 267 N MIN
- 3.4 CONTACT RETENTION: 20 N MIN
- 3.5 DURABILITY: 500 CYCLES MIN

4. ENVIRONMENT:

- 4.1 THERMAL SHOCK: MIL-STD-202, METHOD 107, CONDITION B.
- 4.2 OPERATING TEMPERATURE: -65 TO 165°C
- 4.3 SHOCK: MIL-STD-202, METHOD 213, CONDITION I
- 4.4 VIBRATION: MIL-STD-202, METHOD 204, CONDITION D
- 4.5 MOISTURE RESISTANCE: MIL-STD-202, METHOD 106

	Model No. 148-0901-711/720	
<small>THIS PRODUCT HAS BEEN VERIFIED TO COMPLY WITH THE REQUIREMENTS OF THE ROHS DIRECTIVE AND THE WEEE DIRECTIVE. FOR MORE INFORMATION, PLEASE VISIT WWW.CINCH.COM</small>	<small>ROHS COMPLIANT BY PRODUCT IDENTIFICATION</small>	<small>ISO 9001 PROJECT LOGO</small>
<small>INTERNET DRAWING IS UNCONTROLLED WHEN PRINTED</small>	<small>DATE: 08/21/2018</small>	<small>DATE: 08/21/2018</small>
<small>XXXX-02</small> <small>XXXX-01</small> <small>ANGLES: 90°</small>	<small>DRWBY: Betty Yu</small>	<small>DRWING No. 148-0901-711/720</small>
<small>DO NOT SCALE DRAWING</small>	<small>SCALE: NONE</small>	<small>Rev. 002</small>
<small>Sheet 1 of 1</small>	<small>Sheet 1 of 1</small>	<small>Sheet 1 of 1</small>