

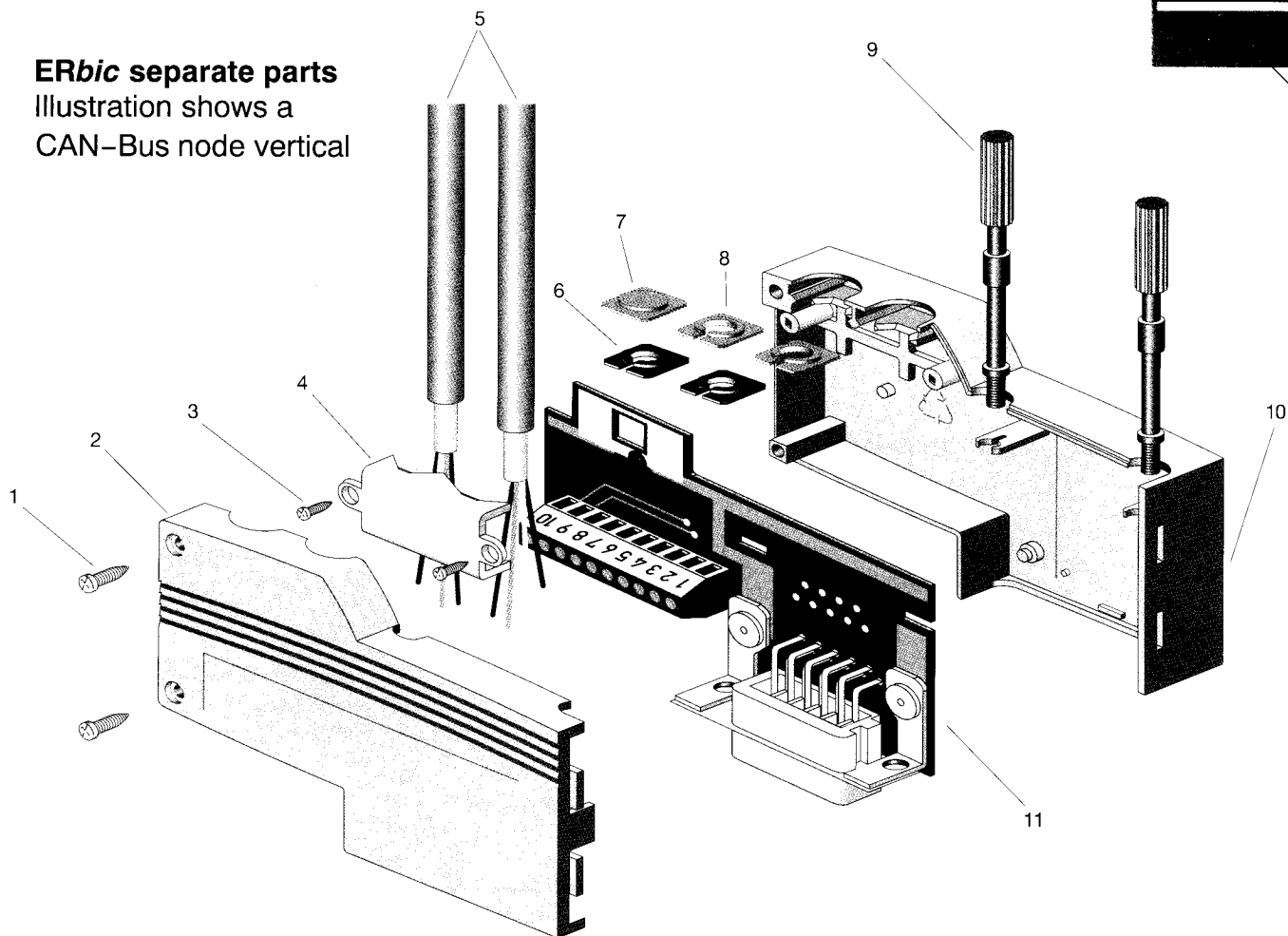
Electrical and mechanical characteristics

Interface connector	D-Sub, 9-pin (see configuration table below for the different bus systems)
Service or programming interface	D-Sub, 9-pin (optional)
Cable termination	2 x horizontal, 2 x vertical 1 cable outlet may be sealed with blind plate
Cable diameter	4.5 mm (0.177") – 8.0 mm (0.315")
Single wire cross-section	max. 0.5 qmm
Termination mode	PCB mounted screw-clamp terminal block
Data transmission rate	according to the bus specification; Profibus up to 12 MBit/s
Temperature range	-20°C – +70°C
Permissible air humidity	max. 75% at +25°C
Degree of protection	IP 40
Dimensions in mm	64.6 mm x 47.5 mm x 16.0 mm (2.54" x 1.87" x 0.63")
Housing material	Thermoplast UL94V-1
D-Subminiature screw	#4/40 UNC, knurled and slotted (M 3 upon request)

Pin configuration for the different bus systems

Bus types	Pin -Nr	Bitbus		CAN-Bus	Interbus		Profibus		
		Male/Female	IN/OUT Male	Female	Male	Female	Male		
Connector type		connected to	Signal	Signal	Signal	connected to	Signal	Signal	
<div style="display: flex; justify-content: space-around;"> <div style="text-align: center;"> <p>Male</p> </div> <div style="text-align: center;"> <p>Female</p> </div> </div>	1	6	12V	-	-		DO	DO	-
	2	7	GND	-	CAN-L		DI	DI	-
	3		DATA	DATA	CAN-GND		COM	COM	RxD/TxD-P
	4		CLK/RTS	-	-		-	-	-
	5		-	GND	-	9			GND
	6		-		V+ GND		DO	DO	+ 5V
	7		-		CAN-H		DI	DI	-
	8		DATA	DATA	-		-	-	RxD/TxD-N
	9		CLK/RTS		V+		-	-	-

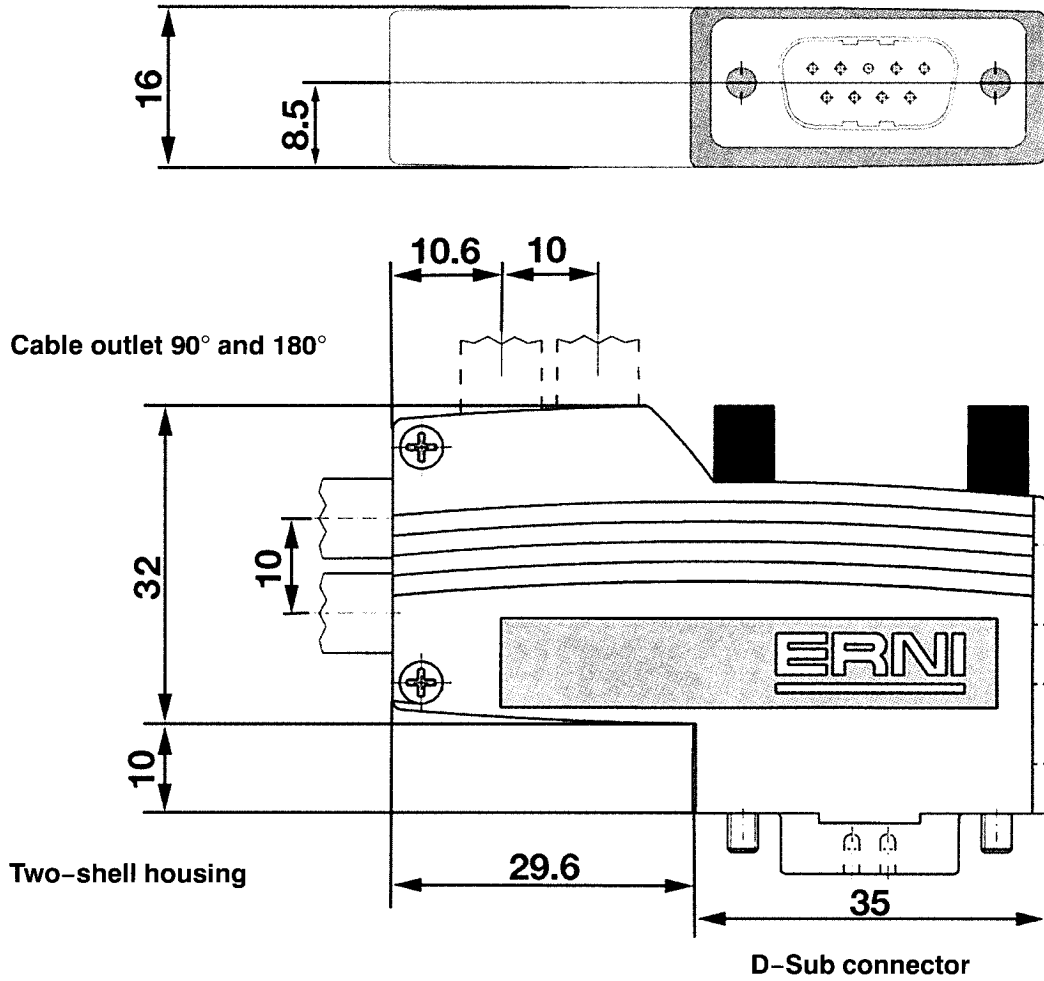
ERbic separate parts
 Illustration shows a
 CAN-Bus node vertical



Components

Item	Description	Materials
1	Tapping screw ST 2.2 x 9.5 ISO 7049	Galvanized steel
2	Housing top section	PC
3	Tapping screw ST 2.2 x 6.5 ISO 7049 (to 5.5 dia.)	Galvanized steel
	Tapping screw ST 2.2 x 6.5 ISO 7049 (from 5.5 dia.)	Galvanized steel
4	Strain relief	Galvanized steel
5	Bus cable	
6	Bushing plate up to 5.5 mm dia.	TEEE
7	Blind plate	TEEE
8	Bushing plate > 5.5 mm dia.	TEEE
9	Knurled screws #4/40 (M3 on request)	Galvanized steel/PC
10	Housing bottom section	PC
11	Bus-specific PCB	

ERbic dimensions



**ERbic with two versions for cable entry:
horizontal or vertical (shown without housing cover)
Profibus nodes horizontal CAN-Bus nodes vertical**

