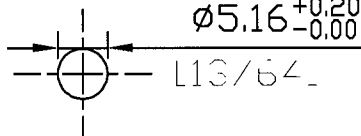
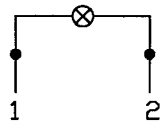
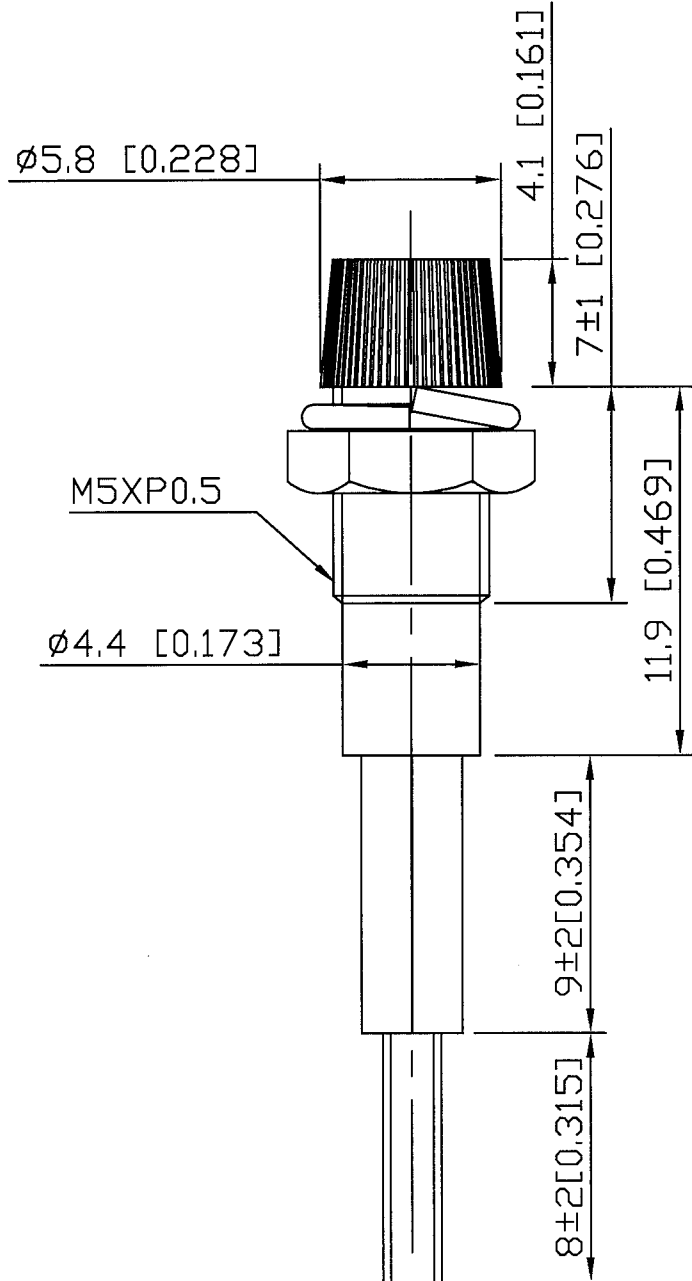



Rating	60mA 12V DC	Mounting Hole	Circuit
Insulation Resistance	DC 500V 100M Ohm Min		
Dielectric Strength	AC 1000V 1Min.		
Lens Color	Green Clear		
Luminous intensity	100 LUX(min.)		



Remark:  
 1. Unless otherwise specified, all tolerances to be  $\pm 0.30 [0.012]$

Date	Name	Description			NO
Drawn	Checked	Approved	SCI BOM No.	Model Name	Indicator
楊海波			Customer No.	Model No.	R9-116B1-12-G
3/6-08			Unit	mm[inch]	REV. 0
 SHIN CHIN INDUSTRIAL CO., LTD.					

# Mouser Electronics

Authorized Distributor

Click to View Pricing, Inventory, Delivery & Lifecycle Information:

[Shin Chin:](#)

[R9-116B1-12-G](#)