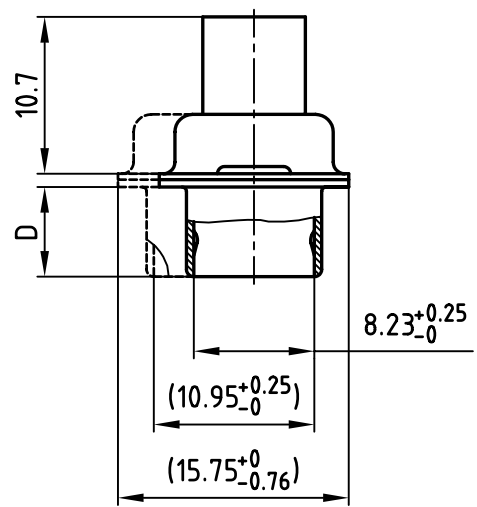
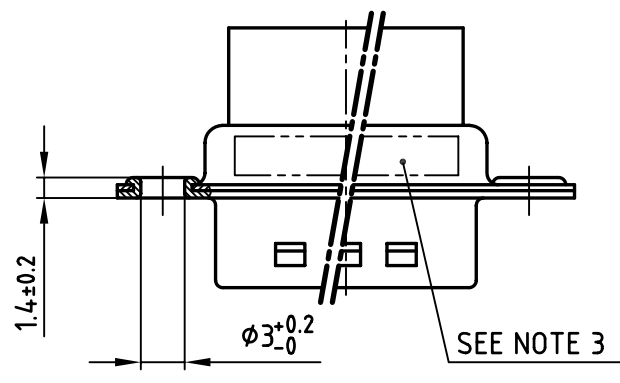
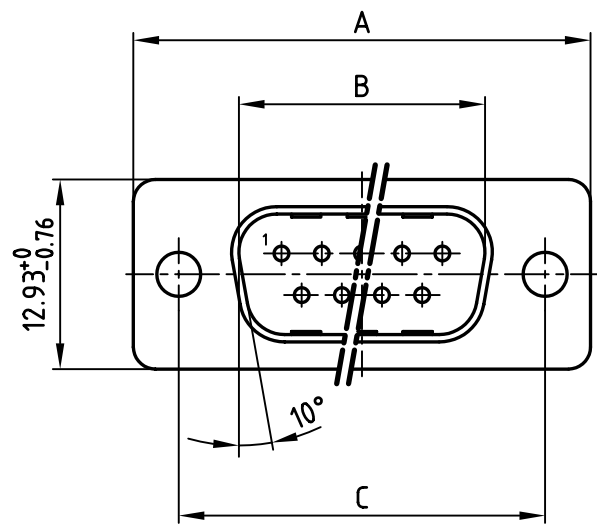


used for: D-SUB



Dimensions in (---) = 50pos.

**NOTES:**

- 1. METALSHELLS: STEEL; min. 315µin TIN over 40-80µin NICKEL
- 2. INSULATORS: PBT GF UL 94 V-0, BLACK
- 3. CONNECTOR IS PART MARKED: PART-NO. CONEC ABC

No. of Pos.	A <sup>-0.76</sup>	B <sup>+0.25</sup>	C	D <sup>-0.3</sup>	Part-NO.
9	31.19	16.79	25.00 <sup>+0.12</sup> / <sub>-0.13</sub>	6.12	163X10019X
15	39.52	25.12	33.30 <sup>+0.15</sup> / <sub>-0.1</sub>	6.12	163X10029X (163X10029X-G)
25	53.42	38.84	47.04 ±0.13	5.99	163X10039X (163X10039X-G)
37	69.70	55.30	63.50 ±0.13	5.99	163X10049X
50	67.31	52.68	61.10 <sup>+0.14</sup> / <sub>-0.11</sub>	5.99	163X10059X

(b)



THIS DRAWING MAY NOT BE COPIED OR REPRODUCED IN ANY WAY, AND MAY NOT BE PASSED ON TO A THIRD PARTY WITHOUT WRITTEN PERMISSION. OWNERSHIP AND COPYRIGHT OF CONEC GmbH DO NOT ALTER CAD DRAWING BY HAND

tolerance			
2001	date	name	
drawn	11.04.	Parei	
appd.	11.04.	E. Mickenbecker	
norm	DIN 41652		
d-old	KAT1105A		
1 x b	Ä 3084	21.08.08	HS
a	Origin		
rev.	description	date	name



scale:	2:1	
material:	SEE NOTES	
title:	D-SUB Plug connector CRIMP STYLE 9 - 50 pos.	
dwg no:	AutoCAD 2000	DIN-A
	16K1A178A	4
part no:	SEE TABLE	
		sh: 1/1

# Mouser Electronics

Authorized Distributor

Click to View Pricing, Inventory, Delivery & Lifecycle Information:

[CONEC:](#)

[163X10019X](#) [163X10029X](#) [163X10039X](#) [163X10049X](#) [163X10059X](#)