

4

3

2

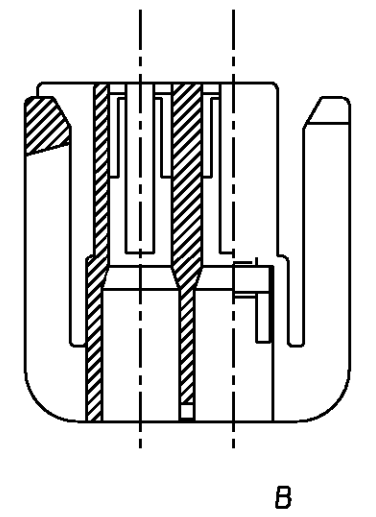
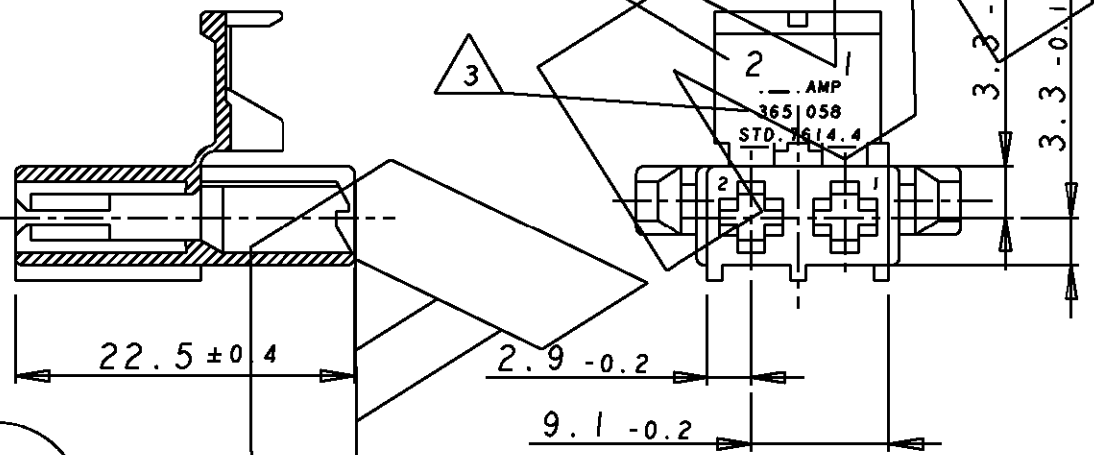
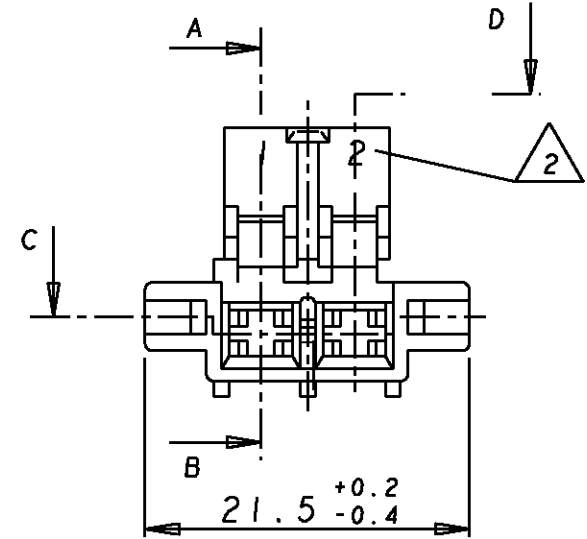
1

CAD-Original

Index	Description	Date	Name
A	CONTOUR AND DIMENSTON	14.1.86	M. KLAUTKE
B	REDRAWN	28 JUL 87	H. BOUDA
C	TRANSFERRED TO AMPES PER EC ES00-1753-93	15-6-93	J. PASCUAL
D	SEE EC ES00-0023-03	10-2-03	A. HERRANZ

SECCION A-B
SECTION

SECCION C-D
SECTION



CODIGO 1
CODING

CODIGO 2
CODING

CODIGO 3
CODING

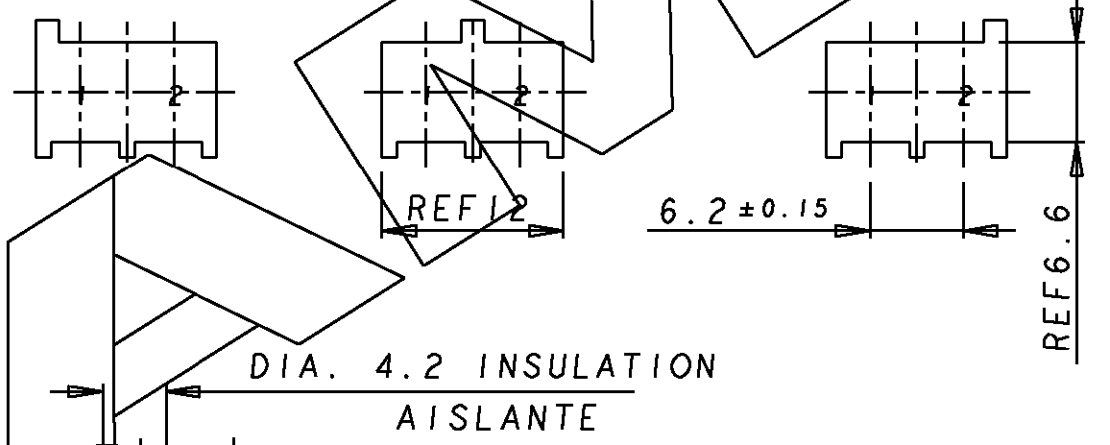
CODIGO 4
CODING

MATERIAL Y COLORES HAN DE ESTAR LIBRES DE CADMIO
MATERIAL AND COLORS ARE FREE OF CADMIUM

- 1 ALTURA LETRA 2
CHARACTER HEIGHT 2
- 2 ALTURA LETRA 1
CHARACTER HEIGHT 1
- 4 USAR CON 365057
FITTING WITH 365057

5 LAS PIEZAS DEBEN IR EMPAQUETADAS HERMETICAMENTE
Y SU CONTENIDO DE HUMEDAD DEBE SER 2.5±1%
PARTS MUST BE AIR TIGHT PACKAGED,
MOISTURE CONTENT MUST BE 2.5±1%

CUSTOMER DWG



DETALLE CAJA CON BISAGRA CERRADA
HOUSING WITH CLOSED FLAP

Code NO.	Part Number	Material	Finish Colour
CODE 4	365058-4	PA 6.6	YELLOW
CODE 3	365058-3	PA 6.6	BLACK
CODE 2	365058-2	PA 6.6	GREY
CODE 1	365058-1	PA 6.6	NATUR
DR	15.01.85	CHK	15-6-93
R.ULLRICH		L.BATLLO	J.PASCUAL

AMP AMP ESPAÑOLA, S.A.
BARCELONA - SPAIN

NAME
2 POS. HOUSING
FOR JUNIOR TIMER CONTACT

GENERAL TOLERANCES ±0.2 mm ±1°	Format B	DWG NO. 365058
SCALE 2:1	REV. DWG : D	SHEET 1 OF 1

LOC AL
DIST 2