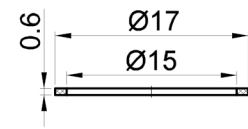
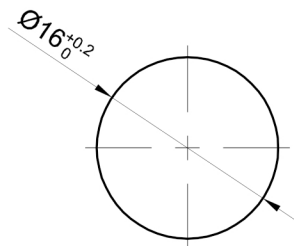
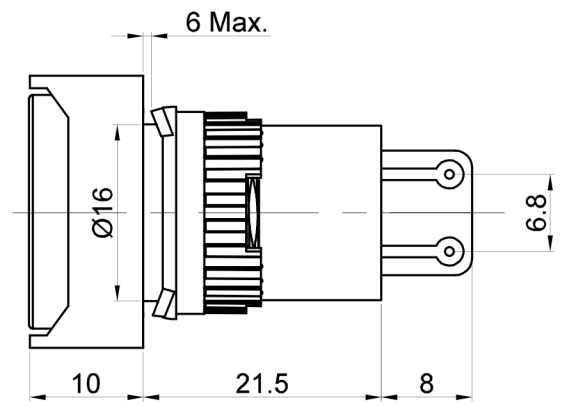


	FOR 客户名称	APPROVED 客户确认签字	ATTN 销售负责人



Seal Ring

PANEL CUTOUT  
MAX.PANEL THICKNESS  
6 mm

Part Number: LAS1-AF-■/▲

■	Buzzer Mode	▲	Lamp voltage
B	Continuous	6V	DC 6V
JB	Discontinuous	12V	DC 12V
		24V	DC 24V
		220V	AC 220V
Other voltage can be made to order			

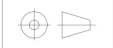
**SPECIFICATIONS:**

- Operating Temperature: -25°C ~ +55°C (No Freezing).
- Operating Humidity: 45~85%RH.
- Dielectric Strength: 1000V.
- Rated Sound Pressure & Frequency: 75db (1m) (Rated Voltage) ; 2300±300HZ.

**MATERIALS:**

- Head: PC.
- Body: PC.

<b>BRAND</b> 品牌 <b>ONPOW</b>		<b>红波按钮制造有限公司</b> ONPOW PUSH BUTTON MANUFACTURE CO.,LTD.	
THESE DRAWINGS AND SPECIFICATIONS ARE THE PROPERTY OF ONPOW PUSH BUTTON MANUFACTURE CO.,LTD. AND SHALL NOT BE REPRODUCED COPIED OR USED IN ANY MANNER WITHOUT THE PRIOR WRITTEN CONSENT OF ONPOW PUSH BUTTON MANUFACTURE CO.,LTD.	USED 用途	APPD 审核	CH 2019/06/12
	FINISH 处理	CHKD 校对	NCH 2019/06/12
	SCALE 比例	UNIT 单位	DR. 制图
	1.5 : 1	mm	ZPD 2019/06/12
DIMENSIONS	TOLERANCE	TITLE 名称	
0.00 TO 18.00mm	±0.43mm	LAS1-A Series Buzzer Units	
18.01 TO 30.00mm	±0.52mm	DWG NO. 图号	
30.01 TO 50.00mm	±0.62mm	LAS1-AF Buzzer	
50.01 TO 80.00mm	±0.74mm	FILE NAME 档案名称	
		SHEET 张	1 / 1
		REV. 更改	1



SIZE 图纸 **A4**